

### Related Styles

Line Slot: Canyon Meadows II Sftshl		State: Production		Season: F24			
Merchandise Division: Outerwear		Merchandise Collection: Trail		Product Class: Soft Shell Tops			
Designer: dmaguire		Developer: wendall.nelson		LO Developer: kgokul			
Fit Engineer: alicehan		Sourcing Manager: melissa.gallagher					
Design:	F4MO209039	Sample LO:		Production LO:	India		
Style	Material Style	Style Description	Pattern	Base Size	Size Scale	Fit	SMU Type
WO0698	2090391	Canyon Meadows™ II Softshell	L22M3095	M	S - XXL	Active	N/A



Style	Material Style	Style Description	Design	Pattern	Base Size	Size Scale	Sample LO	Production LO
WE0698	2090392	Canyon Meadows™ II Softshell	F4MO209039	L22AM1122	M	S - XXL		India

This is confidential and proprietary information of Columbia Sportswear Company. You agree that you will not disclose this information to any third party or use it for any purpose other than on behalf of Columbia. You have no right to use Columbia's name or any of its trademarks, trade names, copyrights, patents, designs or other intellectual property except as set forth in writing by Columbia.

## Part Specifications with Approved Suppliers

Line Slot: Canyon Meadows II Sftshl      State: Production      Season: F24  
 Merchandise Division: Outerwear      Merchandise Collection: Trail      Product Class: Soft Shell Tops  
 Designer: dmaquire      Developer: wendall.nelson      LO Developer: kgokul      Sourcing Manager: melissa.gallagher  
 Fit Engineer: alicehan



Design: F4MO209039      Sample LO:      Production LO: India      Vendor Master: INDIA      Vendor Master: INDIA  
 Style:      Material Style:      Style Description:      Pattern:      Base Size:      Size Scale:      Fit:      SMU Type:      Sourcing LO:  
 WO0698      2090391      Canyon Meadows™ II Softshell      L22M3095      M      S - XXL      Active      N/A

Number	Description	UM	Fiber Content	Fiber Content Back	Material Coating	Material Finish (Face)	Material Laminate	Trim Specific	Supplier Art No	Country of Origin	Standard Cost (FOB)	Purchase Cost (CIF)	Product on Lead Time with Greige	Product on Lead Time without Greige	
<b>Fabric</b>															
122460	PFC Free Version of 117236 Better Level Technical Softshell with Texture- Jersey Backer	yd	100% Polyester	100% Polyester	MaterialCoatingNone	Durable Water Repellent (80/10HL) CO PFOA/PFOS Free	3 Layer Waterproof Hydrophobic Microporous Polyurethane								
Singtex Industrial CO., LTD			Fabric Width: 57.0 in Width Type: cuttable Primary Weight: 260.0 g/m2							S3K-2257C0-2	Taiwan	5.25	0.0	85	105
Shanghai Jiuyu Textile Technology Co Ltd			Fabric Width: 260.0 in Width Type: cuttable Primary Weight: 57.0 g/m2							122460	China	4.9	0.0	75	95
122449	PFC Free version of 116189 Better Level Technical softshell with texture- 4 way with OHI	yd	100% Polyester	100% Polyester	MaterialCoatingNone	Durable Water Repellent (80/10HL) CO PFOA/PFOS Free	3 Layer Waterproof Hydrophobic Microporous Polyurethane								
Singtex Industrial CO., LTD			Fabric Width: 56.0 in Width Type: cuttable Primary Weight: 274.0 g/m2							S3K-2256C0-2	Taiwan	6.68	0.0	90	110
072367	Windbreaker Dyed Only	yd	100% Polyester	unassigned	MaterialCoatingNone	Cire Back - Double	MaterialLaminateNone								
Shanghai Jiuyu Textile Technology Co Ltd			Fabric Width: 56.0 in Width Type: cuttable Primary Weight: 70.0 g/m2							A033	China	1.1	0.0	40	50
Formosa Taffeta Company - Zhong Shan			Fabric Width: 58.0 in Width Type: cuttable Primary Weight: 70.0 g/m2							E561-3011E000	China	1.1	0.0	40	60
Haren Textiles Pvt. Ltd.			Fabric Width: 58.0 in Width Type: cuttable Primary Weight: 70.0 g/m2							TBD	India	0.91	0.0	45	60
YOUNGONE CORPORATION--Fabric division			Fabric Width: 58.0 in Width Type: cuttable Primary Weight: 72.0 g/m2							TYN-3514L	Bangladesh	1.46	0.0	40	70
Tran Hiep Thanh Textile Corporation			Fabric Width: 58.0 in Width Type: cuttable Primary Weight: 70.0 g/m2							072367	Vietnam	1.1	0.0	30	45
HuaFeng - Vietnam			Fabric Width: 56.0 in Width Type: cuttable Primary Weight: 70.0 g/m2							072367	Vietnam	1.1	0.0	30	45
HuaFeng - Putian			Fabric Width: 56.0 in Width Type: cuttable Primary Weight: 70.0 g/m2							072367	China	1.1	0.0	30	45
004476	FOR POCKETING AND YOUTH STYLES ONLY Chamois Touch Tricot	yd	100% Polyester	unassigned	unassigned	Anti-pill (face), Brushed (Tech Face)	unassigned								
Huge-Bamboo Enterprise Co., Ltd.			Fabric Width: 60.0 in Width Type: cuttable Primary Weight: 75.0 g/m2							RA145069-7C-5910225A	Vietnam	0.65	0.0	35	50
Haren Textiles Pvt. Ltd.			Fabric Width: 60.0 in Width Type: cuttable Primary Weight: 80.0 g/m2							90363	India	0.68	0.0	30	45

### Part Specifications with Approved Suppliers

Line Slot: Canyon Meadows II Sftshl State: Production Season: F24  
 Merchandise Division: Outerwear Merchandise Collection: Trail Product Class: Soft Shell Tops  
 Designer: dmaquire Developer: wendall.nelson LO Developer: kgokul Sourcing Manager: melissa.gallagher  
 Fit Engineer: alicehan

Design: F4MO209039 Sample LO: Production LO: India Vendor Master INDIA Vendor Master INDIA  
 Production LO: Sourcing LO:  
 Style Material Style Style Pattern Base Size Size Scale Fit SMU Type  
 Description  
 WO0698 2090391 Canyon Meadows™ II Softshell L22M3095 M S - XXL Active N/A



Number	Description	UM	Fiber Content	Fiber Content Back	Material Coating	Material Finish (Face)	Material Laminate	Trim Specific	Supplier Art No	Country of Origin	Standard Cost (FOB)	Purchase Cost (CIF)	Product on Lead Time with Greige	Product on Lead Time without Greige
YOUNGONE CORPORATION--Fabric division			Fabric Width: 60.0 in Width Type: cuttable Primary Weight: 77.0 g/m2						PDM004476	Bangladesh	0.915	0.0	40	70
Huge Rock Textile Co., Ltd.			Fabric Width: 60.0 in Width Type: cuttable Primary Weight: 75.0 g/m2						004476	Taiwan	0.95	0.0	60	75
HTT Insprite (Xiamen) Imp & Exp Co. Ltd.			Fabric Width: 60.0 in Width Type: cuttable Primary Weight: 75.0 g/m2						004476	China	0.67	0.0	35	60
110670	Recycled Interlining Non-Woven Sew-In Medium Weight SAME AS VIRGIN VERSION 006492	yd	70% Recycled Polyester, 30% Viscose	unassigned	unassigned	unassigned	unassigned							
Freudenberg-Hong Kong			Fabric Width: 39.0 in Width Type: cuttable Primary Weight: 50.0 g/m2						AO 103	Taiwan	0.4	0.0	14	30
MaxBond			Fabric Width: 48.0 in Width Type: cuttable Primary Weight: 50.0 g/m2						Recycled 006492	Vietnam	0.38	0.0	15	30
<b>Trim</b>														
011001	3mm (fits single dc size 3mm) Small Hard TPU Cordlock Stopper 1 clr CANNOT BE DONE IN CLEAR COLOR White color may have a yellowing issue	ea	100% TPU	unassigned	unassigned	unassigned	unassigned	Size UM: mm						
Nifco Taiwan Corporation									CLS3	Taiwan	0.0432	0.0	30	35
Unitex International Button Accessories Ltd									011001	China	0.03505	0.0322	32	32
Vietnam Trien Trieu (VTT)									486811	Vietnam	0.03	0.0	30	30
FGV - Shahi Exports Pvt. (SEP) Ltd.									011001	India	0.0277	0.0	20	30
POONG HAN PLASTIC (BD) LIMITED									PHCOL-007	Bangladesh	0.0115	0.0	0	30
070437	2.5mm 4 color non stretch d/c	yd	100% Polyester	unassigned	unassigned	unassigned	unassigned	Size UM: mm						
Paiho Global									070437	Taiwan	0.06	0.0	30	60
Chun Wo Ho Co. Ltd									070437	China	0.11	0.0	30	35
FGV - Shahi Exports Pvt. (SEP) Ltd.									070437	India	0.0406	0.0	15	20
Naturub Group of Companies									BBA023189	Bangladesh	0.05	0.0	40	40
380083	2.5mm OD Stretch Drawcord Polyester/ 1 color	yd	55% Latex, 45% Polyester	unassigned	unassigned	unassigned	unassigned	Size UM: mm Outside Diameter: 2.5						
Gong Myung Korea									380083	South Korea	0.06	0.0	30	30
Elasticos Universales (Eltitex)									R-16/3	Guatemala	0.15	0.0	0	30
Naturub Group of Companies									BBA-011577	Bangladesh	0.0555	0.0	15	25
Paiho Global									TRU0001	Taiwan	0.058	0.0	30	60

### Part Specifications with Approved Suppliers

Line Slot: Canyon Meadows II Sftshl State: Production Season: F24  
 Merchandise Division: Outerwear Merchandise Collection: Trail Product Class: Soft Shell Tops  
 Designer: dmaguire Developer: wendall.nelson LO Developer: kgokul Sourcing Manager: melissa.gallagher  
 Fit Engineer: alicehan



Design: F4MO209039 Sample LO: Production LO: India Vendor Master INDIA Vendor Master INDIA  
 Production LO: Sourcing LO:  
 Style Material Style Style Pattern Base Size Size Scale Fit SMU Type  
 Description  
 WO0698 2090391 Canyon Meadows™ II L22M3095 M S - XXL Active N/A  
 Softshell

Number	Description	UM	Fiber Content	Fiber Content Back	Material Coating	Material Finish (Face)	Material Laminate	Trim Specific	Supplier Art No	Country of Origin	Standard Cost (FOB)	Purchase Cost (CIF)	Product on Lead Time with Greige	Product on Lead Time without Greige
059588	SAME AS 059592 6mm ID Metal Enamel Eyelet 1 clr. Use 026906 for metal finish.	set	100% Brass	unassigned	unassigned	unassigned	unassigned	Size UM: mm						
Sungbo									SB-59588	South Korea	0.016	0.0	30	30
Button International Company									026906	Taiwan	0.013	0.0	30	40
Vietnam Trien Trieu (VTT)									24886	Vietnam	0.032	0.0	15	15
Unitex International Button Accessories Ltd									059592	China	0.01544	0.0	30	40
ZHEJIANG WEIXING IMP AND EXP COMPANY LTD(SAB Zippers)									SABETCLB07	Bangladesh	0.014	0.0	20	20
059197	USE ONLY FOR ALL ADULTSIZES AND YOUTH S-XL 42mm x 8mm Lightweight Stripe woven ECO Hanger Loop DOWN 2 clr other colors w Director approval only	ea	100% Recycled Polyester	unassigned	unassigned	unassigned	unassigned	Size UM: mm						
Dong Young									DY-59197	South Korea	0.023	0.0	25	25
Avery Dennison Global									059197	China	0.02823	0.0	30	30
061152	3mm Non stretch Interchange Drawcord for hanger loop 2 clr	ea	100% Polyester	unassigned	unassigned	unassigned	unassigned	Size UM: mm						
Paiho Global									061152	Taiwan	0.051	0.0	30	60
Gong Myung Korea									GM-61152	South Korea	0.04	0.0	0	0
Cosmos Knitting International Co. Ltd.									061152	Vietnam	0.04	0.0	30	35
105920	2mm Ticked D/c with textured rubber tip (long) CALL out Base d/c, Tick D/c, Rubber	ea	unassigned	unassigned	unassigned	unassigned	unassigned	Size UM: mm						
UTS-Universal Trim Supply Co.									105920	Taiwan	0.171	0.0	30	40
105919	2mm Ticked D/c with textured rubber tip (short) Call out Base color d/c, Tick color d/c, Rubber	ea	unassigned	unassigned	unassigned	unassigned	unassigned	Size UM: mm						
UTS-Universal Trim Supply Co.									105919	Taiwan	0.162	0.0	30	40
025693	76mm (A) Columbia/Bug Logo Screenprint 1 clr	ea	unassigned	unassigned	unassigned	unassigned	unassigned	Size UM: mm						
FGV Sourced									025693	unassigned	0.0	0.0	0	0

### Part Specifications with Approved Suppliers

Line Slot: Canyon Meadows II Sftshl State: Production Season: F24  
 Merchandise Division: Outerwear Merchandise Collection: Trail Product Class: Soft Shell Tops  
 Designer: dmaquire Developer: wendall.nelson LO Developer: kgokul Sourcing Manager: melissa.gallagher  
 Fit Engineer: alicehan



Design: F4MO209039 Sample LO: Production LO: India Vendor Master INDIA Vendor Master INDIA  
 Production LO: Sourcing LO:  
 Style Material Style Style Pattern Base Size Size Scale Fit SMU Type  
 Description  
 WO0698 2090391 Canyon Meadows™ II L22M3095 M S - XXL Active N/A  
 Softshell

Number	Description	UM	Fiber Content	Fiber Content Back	Material Coating	Material Finish (Face)	Material Laminate	Trim Specific	Supplier Art No	Country of Origin	Standard Cost (FOB)	Purchase Cost (CIF)	Product on Lead Time with Greige	Product on Lead Time without Greige
033748	60.9mm (size A) Omni-Heat Screenprint	ea	unassigned	unassigned	unassigned	unassigned	unassigned	Size UM: mm						
060282	Coats Epic Tex 30 thread	meter	100% Polyester	unassigned	unassigned	unassigned	unassigned	Size UM: tex						
Coats Global Thread									060282	unassigned	0.00048	0.0	0	0
008214	Coats ASTRA Spun Polyester Tex 27 40/2	meter	100% Polyester	unassigned	unassigned	unassigned	unassigned	Size UM: tex						
Coats Global Thread									8754120	unassigned	0.0003	0.0	0	0
031940	4.5mm ID Toggle	ea	95% POM, 5% Stainless Steel	unassigned	unassigned	unassigned	unassigned	Size UM: mm						
Nifco Taiwan Corporation									FCL7AA	Taiwan	0.067	0.1	30	35
FGV - Shahi Exports Pvt. (SEP) Ltd.									031940	unassigned	0.0664	0.0	30	40
002614	Plastic Washer (Polyurethane) (use on all Snap Stud and Post or Eyelets if needed) Clear	ea	100% Polyurethane	unassigned	unassigned	unassigned	unassigned	Size UM: mm						
Unitex International Button Accessories Ltd									002614	China	0.00592	0.0	28	40
FGV Sourced									002614	unassigned	0.0	0.0	0	0
Button International Company									002614	Taiwan	0.0013	0.0	35	40
360183	3/4 in W Foldover (3/8 to show) Woven Stretch Binding 1 clr FOR CAN STYLES PRODUCED IN VN use 110808	yd	86% Nylon, 14% Elastane	unassigned	unassigned	unassigned	unassigned	Size UM: mm Width: 0.75						
Sun Hod Enterprise Co Ltd (formerly Sang Hsin)									360183	Taiwan	0.14	0.168	30	30
Gong Myung Korea									360183	South Korea	0.145	0.163	30	30
Paiho Global									360183	Taiwan	0.16	0.0	30	60
Naturub Group of Companies									BLD-002550	Bangladesh	0.1369	0.0	12	28
013891	1/4 inch Grosgrain Tape 1 clr (ECO version is 083473)	yd	100% Polyester	unassigned	unassigned	unassigned	unassigned	Size UM: yd						
Gong Myung Korea									GM-013891	South Korea	0.05	0.0	30	30
Cosmos Knitting International Co. Ltd.									013891	Vietnam	0.055	0.0	30	35
Paiho Global									013891	Taiwan	0.044	0.0	30	60
Naturub Group of Companies									BND-009427	Bangladesh	0.0435	0.0	15	25
360027	3/8 in Grosgrain Tape Poly 1 clr	yd	100% Polyester	unassigned	unassigned	unassigned	unassigned	Size UM: mm Width: 9.5						

## Part Specifications with Approved Suppliers

Line Slot: Canyon Meadows II Sftshl	State: Production	Season: F24
Merchandise Division: Outerwear	Merchandise Collection: Trail	Product Class: Soft Shell Tops
Designer: dmaquire	Developer: wendall.nelson	LO Developer: kkokul
Fit Engineer: alicehan		Sourcing Manager: melissa.gallagher



Design:	F4MO209039	Sample LO:	Production LO: India	Vendor Master INDIA	Vendor Master INDIA		
				Production LO:	Sourcing LO:		
Style	Material Style	Style Description	Pattern	Base Size	Size Scale	Fit	SMU Type
WO0698	2090391	Canyon Meadows™ II Softshell	L22M3095	M	S - XXL	Active	N/A

Number	Description	UM	Fiber Content	Fiber Content Back	Material Coating	Material Finish (Face)	Material Laminate	Trim Specific	Supplier Art No	Country of Origin	Standard Cost (FOB)	Purchase Cost (CIF)	Product on Lead Time with Greige	Product on Lead Time without Greige
Gong Myung Korea									360027	South Korea	0.068	0.0	30	30
Paiho Global									360027	Taiwan	0.068	0.0	30	60
Naturub Group of Companies									BND017368	Bangladesh	0.0636	0.0	30	45
FGV - Shahi Exports Pvt. (SEP) Ltd.									360027	India	0.0595	0.0	18	25
126832	CNFOL-56 DA8BLH EF P-TOP REVERSE Open L-in AutoLock LargeHole Pull MatteEnml Sldr/PI PlasticTopStop RevCoil	ea	unassigned	unassigned	unassigned	unassigned	unassigned	Size UM: ea Length: 8.0						
Ideal Fastener Global									IE-NUWIC36 N36B IP32	unassigned	0.2661	0.0	21	28
YKK Global									CNFOL-56 DA8BLH EFJ P-TOP REVERSE Open L-in AutoLock LargeHole Pull MatteEnml Sldr/PI PlasticTopSt o	unassigned	0.2776	0.0	35	50
126857	CIFC-56 DA8LH EF T-B-0 Clsd AutoLk Large Hole MatteEnamel Sldr/PI NoStps	ea	unassigned	unassigned	unassigned	unassigned	unassigned	Size UM: ea Length: 4.0						
Ideal Fastener Global									IE-NUWIC56 N56B IP41	unassigned	0.1294	0.0	21	28
YKK Global									CIFC-56 DA8LH EFJ T-B-0 Clsd AutoLk Large Hole MatteEnamel Sldr/PI NoStps	unassigned	0.135	0.0	35	40
060475	40mm Interchange Woven ECO Size Label w/ Gem CSC to be used with 059197 Hanger Loop	ea	100% Recycled Polyester	unassigned	unassigned	unassigned	unassigned	Size UM: mm						
Avery Dennison Global									060475	China	0.08352	0.0	30	30



### Part Specifications with Approved Suppliers

Line Slot: Canyon Meadows II Sftshl State: Production Season: F24  
 Merchandise Division: Outerwear Merchandise Collection: Trail Product Class: Soft Shell Tops  
 Designer: dmaguire Developer: wendall.nelson LO Developer: kgokul Sourcing Manager: melissa.gallagher  
 Fit Engineer: alicehan



Design: F4MO209039 Sample LO: Production LO: India Vendor Master INDIA Vendor Master INDIA  
 Production LO: Sourcing LO:  
 Style Material Style Style Description Pattern Base Size Size Scale Fit SMU Type  
 WO0698 2090391 Canyon Meadows™ II Softshell L22M3095 M S - XXL Active N/A

Number	Description	UM	Fiber Content	Fiber Content Back	Material Coating	Material Finish (Face)	Material Laminate	Trim Specific	Supplier Art No	Country of Origin	Standard Cost (FOB)	Purchase Cost (CIF)	Product on Lead Time with Greige	Product on Lead Time without Greige
064194	Outer Carton for costing purpose only	ea	unassigned	unassigned	unassigned	unassigned	unassigned	Size UM: mm						
Contractor									064194	unassigned	0.0	0.0	0	0

This is confidential and proprietary information of Columbia Sportswear Company. You agree that you will not disclose this information to any third party or use it for any purpose other than on behalf of Columbia. You have no right to use Columbia's name or any of its trademarks, trade names, copyrights, patents, designs or other intellectual property except as set forth in writing by Columbia.



### Color BOM

Line Slot: Canyon Meadows II Sftshl	State: Production	Season: F24
Merchandise Division: Outerwear	Merchandise Collection: Trail	Product Class: Soft Shell Tops
Designer: dmaguire	Developer: wendall.nelson	LO Developer: kgokul
Fit Engineer: alicehan		Sourcing Manager: melissa.gallagher
Design: F4MO209039	Sample LO:	Production LO: India
Style: Material Style	Style Description	Pattern
WO0698	2090391	Canyon Meadows™ II Softshell
		L22M3095
		M
		S - XXL
		Active
		SMU Type
		N/A



Component	Details	Placement	Usage	Width	Marker Width	010-Black	023-City Grey	464-Collegiate Navy
<b>SAP Material Code</b>						2090391010 2090392010	2090391023 2090392023	2090391464 2090392464
<b>SMU Accounts</b>						N/A	N/A	N/A
Shell 1	122460 PFC Free Version of 117236 Better Level Technical Softshell with Texture- Jersey Backer Composite 100% Polyester 100% Polyester 44 Durable Water Repellent (80/10HL) C0 PFOA/PFOS Free MaterialCoatingNone 3 Layer Waterproof Hydrophobic Microporous Polyurethane 260.0 g/m2 Piece Dye/Jet NA		1.15 yd	57.0	0	Black	City Grey	Collegiate Navy
Shell 2	122449 PFC Free version of 116189 Better Level Technical softshell with texture- 4 way with OHI Composite 100% Polyester 100% Polyester 44 Durable Water Repellent (80/10HL) C0 PFOA/PFOS Free MaterialCoatingNone 3 Layer Waterproof Hydrophobic Microporous Polyurethane 274.0 g/m2 Piece Dye/Jet NA		0.41 yd	56.0	0	Black	City Grey	Collegiate Navy

### Color BOM

Line Slot: Canyon Meadows II Sftshl	State: Production	Season: F24
Merchandise Division: Outerwear	Merchandise Collection: Trail	Product Class: Soft Shell Tops
Designer: dmaguire	Developer: wendall.nelson	LO Developer: kgokul
Fit Engineer: alicehan		Sourcing Manager: melissa.gallagher
Design: F4MO209039	Sample LO:	Production LO: India
Style: Material Style	Style Description	Pattern
WO0698	2090391	Canyon Meadows™ II Softshell
		L22M3095
		M
		S - XXL
		Active
		SMU Type
		N/A



Component	Details	Placement	Usage	Width	Marker Width	010-Black	023-City Grey	464-Collegiate Navy
<b>SAP Material Code</b>						2090391010 2090392010	2090391023 2090392023	2090391464 2090392464
Lining 1	072367 Windbreaker Dyed Only Plain Weave 100% Polyester 167 X 129 50D/72F X 50D/72F Cire Back - Double MaterialCoatingNone MaterialLaminateNone 70.0 g/m2 Piece Dye/Jet NA		0.17 yd	56.0	0	Black	Shark	Collegiate Navy
Lining 2	004476 FOR POCKETING AND YOUTH STYLES ONLY Chamois Touch Tricot Tricot 100% Polyester 28 Anti-pill (face), Brushed (Tech Face) 80.0 g/m2 Piece Dye/Jet NA		0.21 yd	60.0	0	Black	Shark	Collegiate Navy
Binding 1	072367 Windbreaker Dyed Only Plain Weave 100% Polyester 167 X 129 50D/72F X 50D/72F Cire Back - Double MaterialCoatingNone MaterialLaminateNone 70.0 g/m2 Piece Dye/Jet NA		0.12 yd	56.0	0	Black	Shark	Collegiate Navy
Interfacing 1	110670 Recycled Interlining Non-Woven Sew-In Medium Weight SAME AS VIRGIN VERSION 006492 Interlining 70% Recycled Polyester, 30% Viscose 50.0 g/m2		0.23 yd	39.0	0	White	White	White

### Color BOM

Line Slot: Canyon Meadows II Sftshl

State: Production

Season: F24

Merchandise Division: Outerwear

Merchandise Collection: Trail

Product Class: Soft Shell Tops

Designer: dmaguire

Developer: wendall.nelson

LO Developer: kgokul

Sourcing Manager: melissa.gallagher

Fit Engineer: alicehan



Design: F4MO209039

Sample LO:

Production LO: India

Style Material Style

Style Description

Pattern

Base Size

Size Scale

Fit

SMU Type

WO0698

2090391

Canyon Meadows™ II Softshell

L22M3095

M

S - XXL

Active

N/A

Component	Details	Placement	Usage	Width	Marker Width	010-Black	023-City Grey	464-Collegiate Navy
<b>SAP Material Code</b>						<b>2090391010</b> <b>2090392010</b>	<b>2090391023</b> <b>2090392023</b>	<b>2090391464</b> <b>2090392464</b>
Bead 1	011001 3mm (fits single dc size 3mm) Small Hard TPU Cordlock Stopper 1 clr CANNOT BE DONE IN CLEAR COLOR White color may have a yellowing issue	hem - 2	2 ea	0.0	0	Black	Grill	Collegiate Navy
Drawcord-Cording-Laces 1	070437 2.5mm 4 color non stretch d/c	IC cuff	0.168 yd	0.0	0	Black, Grill, Black, Grill	Grill, Columbia Grey, Grill, Columbia Grey	Collegiate Navy, Columbia Grey, Collegiate Navy, Columbia Grey
Drawcord-Cording-Laces 2	380083 2.5mm OD Stretch Drawcord Polyester/ 1 color Outside Diameter: 2.5	hem	1.55 yd	0.0	0	Black	City Grey	Collegiate Navy
Eyelets-Grommets 1	059588 SAME AS 059592 6mm ID Metal Enamel Eyelet 1 clr. Use 026906 for metal finish.	hem - 2	2 set	0.0	0	Black	City Grey	Collegiate Navy
Label Logo 1	059197 USE ONLY FOR ALL ADULTSIZES AND YOUTH S-XL 42mm x 8mm Lightweight Stripe woven ECO Hanger Loop DOWN 2 clr other colors w Director approval only		1 ea	0.0	0	Columbia Grey, Grill	Columbia Grey, Grill	Columbia Grey, Grill
Label Logo 2	061152 3mm Non stretch Interchange Drawcord for hanger loop 2 clr	IC at CB neckline	1 ea	0.0	0	Grill, Columbia Grey	Grill, Columbia Grey	Grill, Columbia Grey
Phero 1	105920 2mm Ticked D/c with textured rubber tip (long) CALL out Base d/c, Tick D/c, Rubber	CF zip's phemo	1 ea	0.0	0	Black, Grill, Black	Grill, Columbia Grey, Black	Collegiate Navy, Columbia Grey, Black
Phero 2	105919 2mm Ticked D/c with textured rubber tip (short) Call out Base color d/c, Tick color d/c, Rubber	hand pkts' phemo	2 ea	0.0	0	Black, Grill, Black	Grill, Columbia Grey, Black	Collegiate Navy, Columbia Grey, Black
Screen Print 1	025693 76mm (A) Columbia/Bug Logo Screenprint 1 clr		1 ea	0.0	0	Columbia Grey	Columbia Grey	Columbia Grey

### Color BOM

Line Slot: Canyon Meadows II Sftshl	State: Production	Season: F24
Merchandise Division: Outerwear	Merchandise Collection: Trail	Product Class: Soft Shell Tops
Designer: dmaguire	Developer: wendall.nelson	LO Developer: kgokul
Fit Engineer: alicehan		Sourcing Manager: melissa.gallagher
Design: F4MO209039	Sample LO:	Production LO: India
Style: Material Style	Style Description	Pattern
WO0698	2090391	Canyon Meadows™ II Softshell
		L22M3095
		M
		S - XXL
		Active
		SMU Type
		N/A



Component	Details	Placement	Usage	Width	Marker Width	010-Black	023-City Grey	464-Collegiate Navy
<b>SAP Material Code</b>						<b>2090391010</b> <b>2090392010</b>	<b>2090391023</b> <b>2090392023</b>	<b>2090391464</b> <b>2090392464</b>
Screen Print 2	033748 60.9mm (size A) Omni-Heat Screenprint		1 ea	0.0	0	Columbia Grey	Columbia Grey	Columbia Grey
Thread 1	060282 Coats Epic Tex 30 thread	For top and Bobbin FGV suggests to update to Tex 30 epic to avoid breakage.	250 meter	0.0	0	DTM	DTM	DTM
Thread 2	008214 Coats ASTRA Spun Polyester Tex 27 40/2	08/30/2021: added this back per FGV	650 meter	0.0	0	DTM	DTM	DTM
Toggle 1	031940 4.5mm ID Toggle	hem - 2	2 ea	0.0	0	Black	Grill	Collegiate Navy
Washer 1	002614 Plastic Washer (Polyurethane) (use on all Snap Stud and Post or Eyelets if needed) Clear		2 ea	0.0	0	Clear	Clear	Clear
Webbing and Tape 1	360183 3/4 in W Foldover (3/8 to show) Woven Stretch Binding 1 clr FOR CAN STYLES PRODUCED IN VN use 110808 Width: 0.75	sleeve cuff binding	0.556 yd	0.0	0	Black	City Grey	Collegiate Navy
Webbing and Tape 2	013891 1/4 inch Grosgrain Tape 1 clr (ECO version is 083473)	toggle tether to side seam	0.125 yd	0.0	0	Black	Grill	Collegiate Navy
Webbing and Tape 3	360027 3/8 in Grosgrain Tape Poly 1 clr Width: 9.5	toggle tether to hem facing	0.14 yd	0.0	0	Black	Grill	Collegiate Navy
Zipper 1	126832 CNFOL-56 DA8BLH EF P-TOP REVERSE Open L-in AutoLock LargeHole Pull MatteEnml Sldr/PI PlasticTopStop RevCoil Length: 8.0	CF	1 ea	0.0	0	Black	City Grey	Collegiate Navy
Zipper 2	126857 ClFC-56 DA8LH EF T-B-0 Clsd AutoLk Large Hole MatteEnamel Sldr/PI NoStps Length: 4.0	hand	2 ea	0.0	0	Black	City Grey	Collegiate Navy
Label 1	060475 40mm Interchange Woven ECO Size Label w/ Gem CSC to be used with 059197 Hanger Loop		1 ea	0.0	0	White, Columbia Grey, Compass Blue	White, Columbia Grey, Compass Blue	White, Columbia Grey, Compass Blue

### Color BOM

Line Slot: Canyon Meadows II Sftshl		State: Production		Season: F24			
Merchandise Division: Outerwear		Merchandise Collection: Trail		Product Class: Soft Shell Tops			
Designer: dmaguire		Developer: wendall.nelson		LO Developer: kgokul			
Fit Engineer: alicehan		Sourcing Manager: melissa.gallagher					
Design:	F4MO209039	Sample LO:		Production LO:	India		
Style	Material Style	Style Description	Pattern	Base Size	Size Scale	Fit	SMU Type
WO0698	2090391	Canyon Meadows™ II Softshell	L22M3095	M	S - XXL	Active	N/A



Component	Details	Placement	Usage	Width	Marker Width	010-Black	023-City Grey	464-Collegiate Navy
<b>SAP Material Code</b>						<b>2090391010</b> <b>2090392010</b>	<b>2090391023</b> <b>2090392023</b>	<b>2090391464</b> <b>2090392464</b>
Label 2	067533 33mm Patent Care Content like 006564 ECO Booklet Fold label COO / wht/blk and Blk/White		1 ea	0.0	0	White, Black	White, Black	White, Black
Hangtag Package Part	126966 Active Fit Swing Tag		1 ea	0.0	0	Artwork	Artwork	Artwork
Hangtag Package Part	121612 MSRP/UPC with RFID Specs for MSRP. Please refer to VAS specs for any exceptions. MSRP required on all product shipping to the US.		1 ea	0.0	0	Artwork	Artwork	Artwork
Hangtag Package Part	126995 Columbia Omni-Heat Infinity, Omni-Shield Hangtag		1 ea	0.0	0	Artwork	Artwork	Artwork
Packaging 1	980001 Polybag See Standard CCS 4200 for specifications		1 ea	0.0	0	Stock	Stock	Stock
Packaging 2	980010 UPC Bag Sticker Generic (MHW/Columbia) See CCS4400/ 4401 and MHW4402 for Mt Hardware for instructions		1 ea	0.0	0	Artwork	Artwork	Artwork
Packaging 3	064194 Outer Carton for costing purpose only		1 ea	0.0	0	Stock	Stock	Stock

This is confidential and proprietary information of Columbia Sportswear Company. You agree that you will not disclose this information to any third party or use it for any purpose other than on behalf of Columbia. You have no right to use Columbia's name or any of its trademarks, trade names, copyrights, patents, designs or other intellectual property except as set forth in writing by Columbia.

## Colorless BOM

Line Slot: Canyon Meadows II Sftshl      State: Production      Season: F24

Merchandise Division: Outerwear      Merchandise Collection: Trail      Product Class: Soft Shell Tops

Designer: dmaquire      Developer: wendall.nelson      LO Developer: kgokul      Sourcing Manager: melissa.gallagher

Fit Engineer: alicehan

Design: F4MO20903      Sample LO: 9      Production LO: India

Style	Material Style	Style Description	Pattern	Base Size	Size Scale	Fit	SMU Type
WO0698	2090391	Canyon Meadows™ II Softshell	L22M3095	M	S - XXL	Active	N/A



Component	Details	Placement	Usage	Width	Marker Width
<b>SAP Material Code</b>					
Shell 1	122460 PFC Free Version of 117236 Better Level Technical Softshell with Texture- Jersey Backer Composite 100% Polyester 100% Polyester 44 Durable Water Repellent (80/10HL) C0 PFOA/PFOS Free MaterialCoatingNone 3 Layer Waterproof Hydrophobic Microporous Polyurethane 260.0 g/m2 Piece Dye/Jet NA		1.15 yd	57.0	0
Shell 2	122449 PFC Free version of 116189 Better Level Technical softshell with texture- 4 way with OHI Composite 100% Polyester 100% Polyester 44 Durable Water Repellent (80/10HL) C0 PFOA/PFOS Free MaterialCoatingNone 3 Layer Waterproof Hydrophobic Microporous Polyurethane 274.0 g/m2 Piece Dye/Jet NA		0.41 yd	56.0	0
Lining 1	072367 Windbreaker Dyed Only Plain Weave 100% Polyester 167 X 129 50D/72F X 50D/72F Cire Back - Double MaterialCoatingNone MaterialLaminateNone 70.0 g/m2 Piece Dye/Jet NA		0.17 yd	56.0	0
Lining 2	004476 FOR POCKETING AND YOUTH STYLES ONLY Chamois Touch Tricot Tricot 100% Polyester 28 Anti-pill (face), Brushed (Tech Face) 80.0 g/m2 Piece Dye/Jet NA		0.21 yd	60.0	0
Binding 1	072367 Windbreaker Dyed Only Plain Weave 100% Polyester 167 X 129 50D/72F X 50D/72F Cire Back - Double MaterialCoatingNone MaterialLaminateNone 70.0 g/m2 Piece Dye/Jet NA		0.12 yd	56.0	0

## Colorless BOM

Line Slot: Canyon Meadows II Sftshl      State: Production      Season: F24  
 Merchandise Division: Outerwear      Merchandise Collection: Trail      Product Class: Soft Shell Tops  
 Designer: dmaquire      Developer: wendall.nelson      LO Developer: kgokul      Sourcing Manager: melissa.gallagher  
 Fit Engineer: alicehan

Design: F4MO20903      Sample LO: 9      Production LO: India

Style	Material Style	Style Description	Pattern	Base Size	Size Scale	Fit	SMU Type
WO0698	2090391	Canyon Meadows™ II Softshell	L22M3095	M	S - XXL	Active	N/A



Component	Details	Placement	Usage	Width	Marker Width
<b>SAP Material Code</b>					
Interfacing 1	110670 Recycled Interlining Non-Woven Sew -In Medium Weight SAME AS VIRGIN VERSION 006492 Interlining 70% Recycled Polyester, 30% Viscose 50.0 g/m2		0.23 yd	39.0	0
Bead 1	011001 3mm (fits single dc size 3mm) Small Hard TPU Cordlock Stopper 1 clr CANNOT BE DONE IN CLEAR COLOR White color may have a yellowing issue	hem - 2	2 ea	0.0	0
Drawcord-Cording-Laces 1	070437 2.5mm 4 color non stretch d/c	IC cuff	0.168 yd	0.0	0
Drawcord-Cording-Laces 2	380083 2.5mm OD Stretch Drawcord Polyester/ 1 color Outside Diameter: 2.5	hem	1.55 yd	0.0	0
Eyelets-Grommets 1	059588 SAME AS 059592 6mm ID Metal Enamel Eyelet 1 clr. Use 026906 for metal finish.	hem - 2	2 set	0.0	0
Label Logo 1	059197 USE ONLY FOR ALL ADULT sizes AND YOUTH S-XL 42mm x 8mm Lightweight Stripe woven ECO Hanger Loop DOWN 2 clr other colors w Director approval only		1 ea	0.0	0
Label Logo 2	061152 3mm Non stretch Interchange Drawcord for hanger loop 2 clr	IC at CB neckline	1 ea	0.0	0
Phero 1	105920 2mm Ticked D/c with textured rubber tip (long) CALL out Base d/c, Tick D/c, Rubber	CF zip's phemo	1 ea	0.0	0
Phero 2	105919 2mm Ticked D/c with textured rubber tip (short) Call out Base color d/c, Tick color d/c, Rubber	hand pkts' phemo	2 ea	0.0	0
Screen Print 1	025693 76mm (A) Columbia/Bug Logo Screenprint 1 clr		1 ea	0.0	0
Screen Print 2	033748 60.9mm (size A) Omni-Heat Screenprint		1 ea	0.0	0
Thread 1	060282 Coats Epic Tex 30 thread	For top and Bobbin FGV suggests to update to Tex 30 epic to avoid breakage.	250 meter	0.0	0
Thread 2	008214 Coats ASTRA Spun Polyester Tex 27 40/2	08/30/2021: added this back per FGV	650 meter	0.0	0
Toggle 1	031940 4.5mm ID Toggle	hem - 2	2 ea	0.0	0
Washer 1	002614 Plastic Washer (Polyurethane) (use on all Snap Stud and Post or Eyelets if needed) Clear		2 ea	0.0	0
Webbing and Tape 1	360183 3/4 in W Foldover (3/8 to show) Woven Stretch Binding 1 clr FOR CAN STYLES PRODUCED IN VN use 110808 Width: 0.75	sleeve cuff binding	0.556 yd	0.0	0
Webbing and Tape 2	013891 1/4 inch Grosgrain Tape 1 clr (ECO version is 083473)	toggle tether to side seam	0.125 yd	0.0	0

## Colorless BOM



Line Slot: Canyon Meadows II Sftshl      State: Production      Season: F24

Merchandise Division: Outerwear      Merchandise Collection: Trail      Product Class: Soft Shell Tops

Designer: dmaquire      Developer: wendall.nelson      LO Developer: kgokul      Sourcing Manager: melissa.gallagher

Fit Engineer: alicehan

Design: F4MO20903      Sample LO: 9      Production LO: India

Style	Material Style	Style Description	Pattern	Base Size	Size Scale	Fit	SMU Type
WO0698	2090391	Canyon Meadows™ II Softshell	L22M3095	M	S - XXL	Active	N/A

Component	Details	Placement	Usage	Width	Marker Width
<b>SAP Material Code</b>					
Webbing and Tape 3	360027 3/8 in Grosgrain Tape Poly 1 clr Width: 9.5	toggle tether to hem facing	0.14 yd	0.0	0
Zipper 1	126832 CNFOL-56 DA8BLH EF P-TOP REVERSE Open L-in AutoLock LargeHole Pull MatteEnml Sldr/PI PlasticTopStop RevCoil Length: 8.0	CF	1 ea	0.0	0
Zipper 2	126857 CIFC-56 DA8LH EF T-B-0 Clsd AutoLk Large Hole MatteEnamel Sldr/PI NoStps Length: 4.0	hand	2 ea	0.0	0
Label 1	060475 40mm Interchange Woven ECO Size Label w/ Gem CSC to be used with 059197 Hanger Loop		1 ea	0.0	0
Label 2	067533 33mm Patent Care Content like 006564 ECO Booklet Fold label COO / wht/blk and Blk/White		1 ea	0.0	0
Hangtag Package Part	126966 Active Fit Swing Tag		1 ea	0.0	0
Hangtag Package Part	121612 MSRP/UPC with RFID Specs for MSRP. Please refer to VAS specs for any exceptions. MSRP required on all product shipping to the US.		1 ea	0.0	0
Hangtag Package Part	126995 Columbia Omni-Heat Infinity, Omni-Shield Hangtag		1 ea	0.0	0
Packaging 1	980001 Polybag See Standard CCS 4200 for specifications		1 ea	0.0	0
Packaging 2	980010 UPC Bag Sticker Generic (MHW/Columbia) See CCS4400/ 4401 and MHW4402 for Mt Hardware for instructions		1 ea	0.0	0
Packaging 3	064194 Outer Carton for costing purpose only		1 ea	0.0	0

This is confidential and proprietary information of Columbia Sportswear Company. You agree that you will not disclose this information to any third party or use it for any purpose other than on behalf of Columbia. You have no right to use Columbia's name or any of its trademarks, trade names, copyrights, patents, designs or other intellectual property except as set forth in writing by Columbia.



## Color Specification

Line Slot: Canyon Meadows II Sftshl  
 Merchandise Division: Outerwear  
 Designer: dmauire  
 Fit Engineer: alicehan

Merchandise Collection: Trail  
 Developer: wendall.nelson

State: Production  
 Product Class: Soft Shell Tops  
 LO Developer: kgokul

Season: F24  
 Sourcing Manager: melissa.gallagher



Design:	F4MO209039	Sample LO:		Production LO:	India		
Style	Material Style	Style Description	Pattern	Base Size	Size Scale	Fit	SMU Type
WO0698	2090391	Canyon Meadows™ II Softshell	L22M3095	M	S - XXL	Active	N/A

Component - Material	010-Black	023-City Grey	464-Collegiate Navy
Shell 1 - 122460	Black	City Grey	Collegiate Navy
Shell 2 - 122449			
Drawcord-Cording-Laces 2 - 380083			
Eyelets-Grommets 1 - 059588			
Webbing and Tape 1 - 360183			
Zipper 1 - 126832			
Zipper 2 - 126857	Black	Shark	Collegiate Navy
Lining 1 - 072367			
Lining 2 - 004476			
Binding 1 - 072367	White	White	White
Interfacing 1 - 110670	Black	Grill	Collegiate Navy
Bead 1 - 011001			
Toggle 1 - 031940			
Webbing and Tape 2 - 013891			
Webbing and Tape 3 - 360027	Black, Grill, Black, Grill	Grill, Columbia Grey, Grill, Columbia Grey	Collegiate Navy, Columbia Grey, Collegiate Navy, Columbia Grey
Drawcord-Cording-Laces 1 - 070437	Columbia Grey, Grill	Columbia Grey, Grill	Columbia Grey, Grill
Label Logo 1 - 059197	Grill, Columbia Grey	Grill, Columbia Grey	Grill, Columbia Grey
Label Logo 2 - 061152	Black, Grill, Black	Grill, Columbia Grey, Black	Collegiate Navy, Columbia Grey, Black
Phemo 1 - 105920	Columbia Grey	Columbia Grey	Columbia Grey
Phemo 2 - 105919	DTM	DTM	DTM
Screen Print 1 - 025693	Clear	Clear	Clear
Screen Print 2 - 033748	White, Columbia Grey, Compass Blue	White, Columbia Grey, Compass Blue	White, Columbia Grey, Compass Blue
Thread 1 - 060282	White, Black	White, Black	White, Black
Thread 2 - 008214	Artwork	Artwork	Artwork
Washer 1 - 002614			
Label 1 - 060475			
Label 2 - 067533			
Hangtag Package Part - 126966	Stock	Stock	Stock
Hangtag Package Part - 121612			
Hangtag Package Part - 126995			
Packaging 2 - 980010			
Packaging 1 - 980001			
Packaging 3 - 064194			

This is confidential and proprietary information of Columbia Sportswear Company. You agree that you will not disclose this information to any third party or use it for any purpose other than on behalf of Columbia. You have no right to use Columbia's name or any of its trademarks, trade names, copyrights, patents, designs or other intellectual property except as set forth in writing by Columbia.

### Costing BOM

Line Slot: Canyon Meadows II Sftshl		State: Production		Season: F24			
Merchandise Division: Outerwear		Merchandise Collection: Trail		Product Class: Soft Shell Tops			
Designer: dmaguire		Developer: wendall.nelson		LO Developer: kgokul			
Fit Engineer: alicehan				Sourcing Manager: melissa.gallagher			
Design:	F4MO209039	Sample LO:		Production LO:	India		
Style	Material Style	Style Description	Pattern	Base Size	Size Scale	Fit	SMU Type
WO0698	2090391	Canyon Meadows™ II Softshell	L22M3095	M	S - XXL	Active	N/A



Colorway Number	Color Way	FOB Material	CIF Material	FOB Trim	CIF Trim	Allowance %	Total FOB	Total CIF
010	Black	9.623	0.000	2.353	0.270	0.0	11.976	0.270
023	City Grey	9.623	0.000	2.353	0.270	0.0	11.976	0.270
464	Collegiate Navy	9.623	0.000	2.353	0.270	0.0	11.976	0.270

### Costing BOM

Line Slot: Canyon Meadows II Sftshl  
 Merchandise Division: Outerwear  
 Designer: dmaguire  
 Fit Engineer: alicehan

Merchandise Collection: Trail  
 Developer: wendall.nelson

State: Production  
 Product Class: Soft Shell Tops  
 LO Developer: kgokul

Season: F24  
 Sourcing Manager: melissa.gallagher



Design:	F4MO209039	Sample LO:		Production LO:	India		
Style	Material Style	Style Description	Pattern	Base Size	Size Scale	Fit	SMU Type
WO0698	2090391	Canyon Meadows™ II Softshell	L22M3095	M	S - XXL	Active	N/A

Component	Material	Description	Fabric Width	Supplier	Locked	Country of Origin	Managin g Liaison Office	UoM	Target Cost	FOB Unit Cost	CIF Unit Cost	Usage	Wastage %	Total FOB	Total CIF
Shell 1	122460	PFC Free Version of 117236 Better Level Technical Softshell with Texture- Jersey Backer	57.0	Singtex Industrial CO., LTD	N	Taiwan	Taiwan-Taipei	yd	0.0	5.25	0.0	1.150	3	6.219	0.000
Shell 2	122449	PFC Free version of 116189 Better Level Technical softshell with texture- 4 way with OHI	56.0	Singtex Industrial CO., LTD	N	Taiwan	Taiwan-Taipei	yd	0.0	6.68	0.0	0.410	3	2.821	0.000
Lining 1	072367	Windbreaker Dyed Only	56.0	Shanghai Jiuyu Textile Technology Co Ltd	N	China	Taiwan-Taipei	yd	1.15	1.1	0.0	0.170	5	0.196	0.000

### Costing BOM

Line Slot: Canyon Meadows II Sftshl  
 Merchandise Division: Outerwear  
 Designer: dmaguire  
 Fit Engineer: alicehan

Merchandise Collection: Trail  
 Developer: wendall.nelson

State: Production  
 Product Class: Soft Shell Tops  
 LO Developer: kgokul

Season: F24  
 Sourcing Manager: melissa.gallagher



Design:	F4MO209039	Sample LO:		Production LO:	India		
Style	Material Style	Style Description	Pattern	Base Size	Size Scale	Fit	SMU Type
WO0698	2090391	Canyon Meadows™ II Softshell	L22M3095	M	S - XXL	Active	N/A

Component	Material	Description	Fabric Width	Supplier	Locked	Country of Origin	Managin g Liaison Office	UoM	Target Cost	FOB Unit Cost	CIF Unit Cost	Usage	Wastage %	Total FOB	Total CIF
Lining 2	004476	FOR POCKETING AND YOUTH STYLES ONLY Chamois Touch Tricot	60.0	Haren Textiles Pvt. Ltd.	Y	India	India	yd	0.0	0.68	0.0	0.210	7	0.153	0.000
Binding 1	072367	Windbreaker Dyed Only	56.0	Shanghai Jiuyu Textile Technology Co Ltd	N	China	Taiwan-Taipei	yd	1.15	1.1	0.0	0.120	5	0.139	0.000
Interfacing 1	110670	Recycled Interlining Non-Woven Sew-In Medium Weight SAME AS VIRGIN VERSION 006492	39.0	Freudenberg-Hong Kong	N	Taiwan	Taiwan-Taipei	yd	0.0	0.4	0.0	0.230	3	0.095	0.000

### Costing BOM

Line Slot: Canyon Meadows II Sftshl  
 Merchandise Division: Outerwear  
 Designer: dmaguire  
 Fit Engineer: alicehan

Merchandise Collection: Trail  
 Developer: wendall.nelson

State: Production  
 Product Class: Soft Shell Tops  
 LO Developer: kgokul

Season: F24  
 Sourcing Manager: melissa.gallagher



Design: F4MO209039      Sample LO:  
 Style: Material Style      Style Description      Pattern  
 WO0698      2090391      Canyon Meadows™ II Softshell  
 Production LO: India  
 Base Size: M      Size Scale: S - XXL  
 Fit: Active      SMU Type: N/A

Component	Material	Description	Fabric Width	Supplier	Locked	Country of Origin	Managin g Liaison Office	UoM	Target Cost	FOB Unit Cost	CIF Unit Cost	Usage	Wastage %	Total FOB	Total CIF
Bead 1	011001	3mm (fits single dc size 3mm) Small Hard TPU Cordlock Stopper 1 clr CANNOT BE DONE IN CLEAR COLOR White color may have a yellowing issue	0.0	Unitex International Button Accessories Ltd	N	China	Portland	ea	0.0	0.03505	0.0322	2.000	2.0	0.072	0.066
Drawcord-Cording-Laces 1	070437	2.5mm 4 color non stretch d/c	0.0	Paiho Global	N	Taiwan	Taiwan-Taipei	yd	0.0	0.06	0.0	0.168	7.0	0.011	0.000
Drawcord-Cording-Laces 2	380083	2.5mm OD Stretch Drawcord Polyester/ 1 color	0.0	Paiho Global	N	Taiwan	Taiwan-Taipei	yd	0.0	0.058	0.0	1.550	7.0	0.096	0.000

### Costing BOM

Line Slot: Canyon Meadows II Sftshl  
 Merchandise Division: Outerwear  
 Designer: dmaguire  
 Fit Engineer: alicehan

Merchandise Collection: Trail  
 Developer: wendall.nelson

State: Production  
 Product Class: Soft Shell Tops  
 LO Developer: kgokul

Season: F24  
 Sourcing Manager: melissa.gallagher



Design:	F4MO209039	Sample LO:		Production LO:	India		
Style	Material Style	Style Description	Pattern	Base Size	Size Scale	Fit	SMU Type
WO0698	2090391	Canyon Meadows™ II Softshell	L22M3095	M	S - XXL	Active	N/A

Component	Material	Description	Fabric Width	Supplier	Locked	Country of Origin	Managing Liaison Office	UoM	Target Cost	FOB Unit Cost	CIF Unit Cost	Usage	Wastage %	Total FOB	Total CIF
Eyelets- Grommets 1	059588	SAME AS 059592 6mm ID Metal Enamel Eyelet 1 clr. Use 026906 for metal finish.	0.0	Unitex International Button Accessories Ltd	N	China	Portland	set	0.0	0.01544	0.0	2.000	3.0	0.032	0.000
Label Logo 1	059197	USE ONLY FOR ALL ADULTSIZES AND YOUTH S-XL 42mm x 8mm Lightweight Stripe woven ECO Hanger Loop DOWN 2 clr other colors w Director approval only	0.0	Avery Dennison Global	N	China	Portland	ea	0.0	0.02823	0.0	1.000	5.0	0.030	0.000
Label Logo 2	061152	3mm Non stretch Interchange Drawcord for hanger loop 2 clr	0.0	Cosmos Knitting International Co. Ltd.	N	Vietnam	Taiwan-Taipei	ea	0.0	0.04	0.0	1.000	5.0	0.042	0.000

### Costing BOM

Line Slot: Canyon Meadows II Sftshl  
 Merchandise Division: Outerwear  
 Designer: dmaguire  
 Fit Engineer: alicehan

Merchandise Collection: Trail  
 Developer: wendall.nelson

State: Production  
 Product Class: Soft Shell Tops  
 LO Developer: kgokul

Season: F24  
 Sourcing Manager: melissa.gallagher



Design: F4MO209039  
 Style: Material Style  
 WO0698 2090391

Sample LO:  
 Style Description Pattern  
 Canyon Meadows™ II Softshell L22M3095

Production LO: India  
 Base Size: M  
 Size Scale: S - XXL

Fit: Active  
 SMU Type: N/A

Component	Material	Description	Fabric Width	Supplier	Locked	Country of Origin	Managin g Liaison Office	UoM	Target Cost	FOB Unit Cost	CIF Unit Cost	Usage	Wastage %	Total FOB	Total CIF
Phero 1	105920	2mm Ticked D/c with textured rubber tip (long) CALL out Base d/c, Tick D/c, Rubber	0.0	UTS-Universal Trim Supply Co.	N	Taiwan	Taiwan-Taipei	ea	0.0	0.171	0.0	1.000	2.0	0.174	0.000
Phero 2	105919	2mm Ticked D/c with textured rubber tip (short) Call out Base color d/c, Tick color d/c, Rubber	0.0	UTS-Universal Trim Supply Co.	N	Taiwan	Taiwan-Taipei	ea	0.0	0.162	0.0	2.000	2.0	0.330	0.000
Screen Print 1	025693	76mm (A) Columbia/Bug Logo Screenprint 1 clr	0.0	FGV Sourced	N	unassigne d	Portland	ea	0.0	0.0	0.0	1.000	2.0	0.000	0.000

### Costing BOM

Line Slot: Canyon Meadows II Sftshl  
 Merchandise Division: Outerwear  
 Designer: dmaguire  
 Fit Engineer: alicehan

Merchandise Collection: Trail  
 Developer: wendall.nelson

State: Production  
 Product Class: Soft Shell Tops  
 LO Developer: kgokul

Season: F24  
 Sourcing Manager: melissa.gallagher



Design: F4MO209039  
 Style: Material Style  
 WO0698

Sample LO:  
 Style Description: Canyon Meadows™ II Softshell  
 Pattern: L22M3095

Production LO: India  
 Base Size: M  
 Size Scale: S - XXL

Fit: Active  
 SMU Type: N/A

Component	Material	Description	Fabric Width	Supplier	Locked	Country of Origin	Managin g Liaison Office	UoM	Target Cost	FOB Unit Cost	CIF Unit Cost	Usage	Wastage %	Total FOB	Total CIF
Screen Print 2	033748	60.9mm (size A) Omni-Heat Screenprint	0.0	FGV - APPARELTECH CO (ATC). LTD.	N	unassigne d	Korea	ea	0.0	0.0	0.0	1.000	2.0	0.000	0.000
Thread 1	060282	Coats Epic Tex 30 thread	0.0	Coats Global Thread	N	unassigne d	Portland	meter	0.0	0.00048	0.0	250.000	5.0	0.126	0.000
Thread 2	008214	Coats ASTRA Spun Polyester Tex 27 40/2	0.0	Coats Global Thread	N	unassigne d	Portland	meter	0.0	0.0003	0.0	650.000	5.0	0.205	0.000
Toggle 1	031940	4.5mm ID Toggle	0.0	Nifco Taiwan Corporation	N	Taiwan	Taiwan-Taipei	ea	0.0	0.067	0.1	2.000	2.0	0.137	0.204



### Costing BOM

Line Slot: Canyon Meadows II Sftshl  
 Merchandise Division: Outerwear  
 Designer: dmaguire  
 Fit Engineer: alicehan

Merchandise Collection: Trail  
 Developer: wendall.nelson

State: Production  
 Product Class: Soft Shell Tops  
 LO Developer: kgokul

Season: F24  
 Sourcing Manager: melissa.gallagher



Design: F4MO209039	Sample LO:	Production LO: India	
Style WO0698	Material Style 2090391	Style Description Canyon Meadows™ II Softshell	Pattern L22M3095
		Base Size M	Size Scale S - XXL
		Fit Active	SMU Type N/A

Component	Material	Description	Fabric Width	Supplier	Locked	Country of Origin	Managin g Liaison Office	UoM	Target Cost	FOB Unit Cost	CIF Unit Cost	Usage	Wastage %	Total FOB	Total CIF
Washer 1	002614	Plastic Washer (Polyurethane) (use on all Snap Stud and Post or Eyelets if needed) Clear	0.0	Unitex International Button Accessories Ltd	N	China	Portland	ea	0.0	0.00592	0.0	2.000	3.0	0.012	0.000
Webbing and Tape 1	360183	3/4 in W Foldover (3/8 to show) Woven Stretch Binding 1 clr FOR CAN STYLES PRODUCED IN VN use 110808	0.0	Paiho Global	N	Taiwan	Taiwan-Taipei	yd	0.0	0.16	0.0	0.556	7.0	0.095	0.000
Webbing and Tape 2	013891	1/4 inch Grosgrain Tape 1 clr (ECO version is 083473)	0.0	Paiho Global	N	Taiwan	Taiwan-Taipei	yd	0.2	0.044	0.0	0.125	7.0	0.006	0.000
Webbing and Tape 3	360027	3/8 in Grosgrain Tape Poly 1 clr	0.0	Paiho Global	N	Taiwan	Taiwan-Taipei	yd	0.0	0.068	0.0	0.140	7.0	0.010	0.000

### Costing BOM

Line Slot: Canyon Meadows II Sftshl  
 Merchandise Division: Outerwear  
 Designer: dmaguire  
 Fit Engineer: alicehan

Merchandise Collection: Trail  
 Developer: wendall.nelson

State: Production  
 Product Class: Soft Shell Tops  
 LO Developer: kgokul

Season: F24  
 Sourcing Manager: melissa.gallagher



Design: F4MO209039	Sample LO:	Production LO: India	
Style WO0698	Material Style 2090391	Style Description Canyon Meadows™ II Softshell	Pattern L22M3095
		Base Size M	Size Scale S - XXL
		Fit Active	SMU Type N/A

Component	Material	Description	Fabric Width	Supplier	Locked	Country of Origin	Managin g Liaison Office	UoM	Target Cost	FOB Unit Cost	CIF Unit Cost	Usage	Wastage %	Total FOB	Total CIF
Zipper 1	126832	CNFOL-56 DA8BLH EF P- TOP REVERSE Open L-in AutoLock LargeHole Pull MatteEnml Slidr/PI PlasticTopStop RevCoil	0.0	YKK Global	Y	unassigne d	Portland	ea	0.0	0.2776	0.0	1.000	0.0	0.427	0.000
Zipper 2	126857	CIFC-56 DA8LH EF T-B-0 Clsd AutoLk Large Hole MatteEnamel Slidr/PI NoStps	0.0	YKK Global	Y	unassigne d	Portland	ea	0.0	0.135	0.0	2.000	0.0	0.324	0.000

### Costing BOM

Line Slot: Canyon Meadows II Sftshl  
 Merchandise Division: Outerwear  
 Designer: dmaguire  
 Fit Engineer: alicehan

Merchandise Collection: Trail  
 Developer: wendall.nelson

State: Production  
 Product Class: Soft Shell Tops  
 LO Developer: kkokul

Season: F24  
 Sourcing Manager: melissa.gallagher



Design: F4MO209039  
 Style: Material Style  
 WO0698 2090391

Sample LO:  
 Style Description: Canyon Meadows™ II Softshell  
 Pattern: L22M3095

Production LO: India  
 Base Size: M  
 Size Scale: S - XXL

Fit: Active  
 SMU Type: N/A

Component	Material	Description	Fabric Width	Supplier	Locked	Country of Origin	Managing Liaison Office	UoM	Target Cost	FOB Unit Cost	CIF Unit Cost	Usage	Wastage %	Total FOB	Total CIF
Label 1	060475	40mm Interchange Woven ECO Size Label w/ Gem CSC to be used with 059197 Hanger Loop	0.0	Avery Dennison Global	N	China	Portland	ea	0.0	0.08352	0.0	1.000	3.0	0.086	0.000
Label 2	067533	33mm Patent Care Content like 006564 ECO Booklet Fold label COO / wht/blk and Blk/White	0.0	Avery Dennison Global	N	China	Portland	ea	0.0	0.0226	0.0	1.000	3.0	0.023	0.000
Hangtag Package Part	126966	Active Fit Swing Tag	0.0	Hang Sang Press Co. Ltd	N	unassigned	Portland	ea	0.0	0.023	0.0	1.000	0.0	0.023	0.000

### Costing BOM

Line Slot: Canyon Meadows II Sftshl  
 Merchandise Division: Outerwear  
 Designer: dmaguire  
 Fit Engineer: alicehan

Merchandise Collection: Trail  
 Developer: wendall.nelson

State: Production  
 Product Class: Soft Shell Tops  
 LO Developer: kgokul

Season: F24  
 Sourcing Manager: melissa.gallagher



Design: F4MO209039  
 Style: Material Style  
 WO0698 2090391

Sample LO:  
 Style Description: Canyon Meadows™ II Softshell  
 Pattern: L22M3095

Production LO: India  
 Base Size: M  
 Size Scale: S - XXL

Fit: Active  
 SMU Type: N/A

Component	Material	Description	Fabric Width	Supplier	Locked	Country of Origin	Managing Liaison Office	UoM	Target Cost	FOB Unit Cost	CIF Unit Cost	Usage	Wastage %	Total FOB	Total CIF
Hangtag Package Part	121612	MSRP/UPC with RFID Specs for MSRP. Please refer to VAS specs for any exceptions. MSRP required on all product shipping to the US.	0.0	Avery Dennison Global	N	unassigned	Portland	ea	0.0	0.04875	0.0	1.000	0.0	0.049	0.000
Hangtag Package Part	126995	Columbia Omni-Heat Infinity, Omni-Shield Hangtag	0.0	Hang Sang Press Co. Ltd	N	unassigned	Portland	ea	0.0	0.0287	0.0	1.000	0.0	0.029	0.000
Packaging 1	980001	Polybag See Standard CCS 4200 for specifications	0.0	Contractor	N	unassigned	Hong Kong	ea	0.0	0.0	0.0	1.000	3.0	0.000	0.000

### Costing BOM

Line Slot: Canyon Meadows II Sftshl  
 Merchandise Division: Outerwear  
 Designer: dmaguire  
 Fit Engineer: alicehan

Merchandise Collection: Trail  
 Developer: wendall.nelson

State: Production  
 Product Class: Soft Shell Tops  
 LO Developer: kkokul

Season: F24  
 Sourcing Manager: melissa.gallagher



Design: F4MO209039	Sample LO:	Production LO: India	
Style WO0698	Material Style 2090391	Style Description Canyon Meadows™ II Softshell	Pattern L22M3095
		Base Size M	Size Scale S - XXL
		Fit Active	SMU Type N/A

Component	Material	Description	Fabric Width	Supplier	Locked	Country of Origin	Managin g Liaison Office	UoM	Target Cost	FOB Unit Cost	CIF Unit Cost	Usage	Wastage %	Total FOB	Total CIF
Packaging 2	980010	UPC Bag Sticker Generic (MHW/Columbia) See CCS4400/ 4401 and MHW4402 for Mt Hardware for instructions	0.0	Avery Dennison Global	Y	China	Portland	ea	0.0	0.01323	0.0	1.000	5.0	0.014	0.000
Packaging 3	064194	Outer Carton for costing purpose only	0.0	Contracto r	N	unassigne d	Hong Kong	ea	0.0	0.0	0.0	1.000	3.0	0.000	0.000

### Costing BOM

Line Slot: Canyon Meadows II Sftshl		State: Production		Season: F24			
Merchandise Division: Outerwear		Merchandise Collection: Trail		Product Class: Soft Shell Tops			
Designer: dmaguire		Developer: wendall.nelson		LO Developer: kgokul			
Fit Engineer: alicehan		Sourcing Manager: melissa.gallagher					
Design:	F4MO209039	Sample LO:		Production LO:	India		
Style	Material Style	Style Description	Pattern	Base Size	Size Scale	Fit	SMU Type
WO0698	2090391	Canyon Meadows™ II Softshell	L22M3095	M	S - XXL	Active	N/A



This is confidential and proprietary information of Columbia Sportswear Company. You agree that you will not disclose this information to any third party or use it for any purpose other than on behalf of Columbia. You have no right to use Columbia's name or any of its trademarks, trade names, copyrights, patents, designs or other intellectual property except as set forth in writing by Columbia.

### Instructions

Line Slot: Canyon Meadows II Sftshl      State: Production      Season: F24  
 Merchandise Division: Outerwear      Merchandise Collection: Trail      Product Class: Soft Shell Tops  
 Designer: dmaguire      Developer: wendall.nelson      LO Developer: kgokul      Sourcing Manager: melissa.gallagher  
 Fit Engineer: alicehan  
 Design: F4MO20903      Sample LO:      Production LO: India  
 Style      Material Style      Style Description      Pattern      Base Size      Size Scale      Fit      SMU Type  
 WO0698      2090391      Canyon Meadows™ II Softshell      L22M3095      M      S - XXL      Active      N/A



Category	Subcategory	Description	Comments
MISCELLANEOUS	PHEMOS	MHW 1602 SLIP KNOT TIE METHOD - PLACEMENT:	for all zipper phemos.
	MISC OTHER	SEE COMMENTS	If FGV decides to use ISO 301, please stretch the binding to follow the hem measurement during stitching. After the hem is stitched and released, the binding will contract back to give the ISO 301 stitch the stretchiness.
BARTACKS	BARTACK FUNCTIONAL	LENGTH - SIZED TO FIT	See the visible bartacks on the sketch.  The below are not shown on the sketch: (2/1) cuff binding joints. (2/1) end of CB neck loop

This is confidential and proprietary information of Columbia Sportswear Company. You agree that you will not disclose this information to any third party or use it for any purpose other than on behalf of Columbia. You have no right to use Columbia's name or any of its trademarks, trade names, copyrights, patents, designs or other intellectual property except as set forth in writing by Columbia.

## Care Report

Line Slot: Canyon Meadows II Sftshl	State: Production	Season: F24					
Merchandise Division: Outerwear	Merchandise Collection: Trail	Product Class: Soft Shell Tops					
Designer: dmaquire	Developer: wendall.nelson	LO Developer: kgokul					
Fit Engineer: alicehan		Sourcing Manager: melissa.gallagher					
Design: F4MO209039	Sample LO:	Production LO: India					
Style WO0698	Material Style 2090391	Style Description Canyon Meadows™ II Softshell	Pattern L22M3095	Base Size M	Size Scale S - XXL	Fit Active	SMU Type N/A



Care Code: 1044		Color Way Number	Color Way Name
<b>English</b>	If present Close Hook and Loop Fastener, Machine Wash Cold Permanent Press, Powdered Detergent, Wash Separately, Do Not Bleach, Tumble Dry Permanent Press Low, Do Not Iron, Do Not Use Fabric Softener, Do Not Dryclean	010	Black
<b>French</b>	Le cas échéant, fermer la fermeture Velcro, Lavage machine à froid, Cycle sans repassage, Détergent en poudre, Laver séparément, Ne pas utiliser d'eau de javel, Séchage machine, sans repassage, basse température, Ne pas repasser, Ne pas utiliser d'assouplissant, Nettoyage à sec interdit	023	City Grey
<b>German</b>	Falls vorhanden, Klettverschluss schließen, Pflegeleichter Waschgang mit kaltem Wasser, Waschpulver, Separat waschen, Keine Bleichmittel verwenden, Trocknen im Wäschetrockner pflegeleicht bei niedriger Temperatur, Nicht bügeln, Keine Weichspüler verwenden, Nicht chemisch reinigen	464	Collegiate Navy
<b>Portuguese</b>	Se presente, fechar o gancho e prendedor do cordão, Lavar à máquina com água fria, ciclo para fibras sintéticas, Detergente em pó, Lavar separadamente, Não alvejar, Secar à máquina em ciclo para fibras sintéticas e temperatura baixa, Não passar a ferro, Não usar amaciante, Não utilizar limpeza a seco		
<b>Spanish</b>	En su caso, cierre el velcro, Lavar a máquina con agua fría, en ciclo de planchado permanente, Detergente en polvo, Lavar por separado, No usar lejía, Usar secadora, a temperatura baja, en ciclo de planchado permanente, No planchar, No usar suavizante de telas, No lavar en seco		
<b>Italian</b>	Se presente, chiudere la chiusura a strappo, Lavare in lavatrice in acqua fredda, ciclo sintetici, Detergente in polvere, Lavare separatamente, Non candeggiare, Asciugare a tamburo con ciclo sintetici a bassa temperatura, Non stirare, Non utilizzare ammorbidente, Non lavare a secco		
<b>Russian</b>	Если есть, застегнуть крючки, Машинная стирка в холодной воде тканей с несминаемой пропиткой, Стиральный порошок, Стирать отдельно, Не отбеливать, Сушка несминаемых тканей при низкой температуре, Не гладить, Не использовать кондиционер для тканей, Химчистка запрещена		
<b>Czech Republic</b>	Zapnout háčky a zipy, jsou-li přítomny, Praní v pračce při nízké teplotě a stálém tlaku, Práškový čistící prostředek, Prát samostatně, Nebělit, Sušení v sušičce, stálý tlak, nízká teplota, Nežehlit, Nepoužívat aviváž, Nečistit chemicky		
<b>Hebrew</b>	אם ישנו, לסגור את הצמדן, כביסה במכונה במים קרים עבור בד לא מתקמט, דטרגנט באבקה, לכבס בנפרד, לא להלבין, לייבש במייבש כביסה, בתוכנית עבור בדים לא מתקמטים, בחום נמוך, לא לגהץ, לא להשתמש במרכך כביסה, לא לניקות בניקוי יבש		
<b>Hungarian</b>	Ha van az anyagon tépózár, zárja be, Géppel mossa, hideg vízzel, gyűrődésmentes programmal, Mosópor, Különválasztva mossa, Ne használjon fehérítőt, Szárítógépben gyűrődésmentes programmal, alacsony hőfokon szárítsa, Ne vasalja, Ne használjon öblítőszeret, Ne vegytisztítsa		
<b>Polish</b>	Zapiąć rzepy, jeśli są obecne., Prac w temperaturze nie przekraczającej 30°C, stosować prasę odzieżową, Detergent w proszku, Prac oddzielnie, Nie chlorować, Można suszyć bębnowo, stosować prasę odzieżową, niska temperatura, Nie prasować, Nie używać zmiękczacza do tkanin, Nie czyścić chemicznie		
<b>Portuguese Brazil</b>	Se presente, fechar o gancho e prendedor do cordão, Lavar à máquina com água fria, ciclo para fibras sintéticas, Detergente em pó, Lavar separadamente, Não alvejar, Secar em tambor rotativo em ciclo para fibras sintéticas e temperatura baixa, Não passar a ferro, Não usar amaciante, Não utilizar limpeza a seco		
<b>Slovakian</b>	Ak je vybavené háčkom a slučkovou sponou, zatvorte ich, Perte v pračke v studenej vode, trvalé žehlenie, Práškový prací prostriedok, Perte oddelene, Neodfarbujte, Sušte v bubnovej sušičke pri nízkych otáčkach, trvalé žehlenie, Nežehlite, Nepoužívajte avivážne prípravky, Nečistite chemicky		
<b>Slovenian</b>	Če obstaja zaprite ježke, Mrzlo strojno pranje z trajnim tiskom, Detergent v prahu, Prati posebej, Ne belite, Nizko strojno sušenje z trajnim tiskom, Ne likati, Ne uporabljati mehčalca, Ne suho čistiti		
<b>Spanish Latin American</b>	En su caso, cierre el velcro, Lavar a máquina con agua fría, en ciclo de planchado permanente, Detergente en polvo, Lavar por separado, No usar blanqueador, Usar secadora, a temperatura baja, en ciclo de planchado permanente, No planchar, No usar suavizante de telas, No lavar en seco		
<b>Turkish</b>	Varsa Kapüşonu ve Bağcığını Kapatın, Makinada Yikanır, Soğuk, Ütü İstemez, Toz Deterjan, Ayrı Yıkayın, Ağartıcı Kullanmayın, Tambur Kurutma, Ütü İstemez, Düşük, Ütülemeyin, Çamaşır Yumuşatıcısı Kullanmayın, Kuru Temizleme Yapmayın		



## Care Report

Line Slot: Canyon Meadows II Sftshl

State: Production

Season: F24

Merchandise Division: Outerwear

Merchandise Collection: Trail

Product Class: Soft Shell Tops

Designer: dmaguire

Developer: wendall.nelson

LO Developer: kgokul

Sourcing Manager: melissa.gallagher

Fit Engineer: alicehan

Design: F4MO209039

Sample LO:

Production LO: India

Style Material Style

Style Description

Pattern

Base Size

Size Scale

Fit

SMU Type

WO0698

2090391

Canyon Meadows™ II Softshell

L22M3095

M

S - XXL

Active

N/A



<b>Chinese Simplified</b>	如有, 请闭合搭扣带, 冷水机洗免烫, 粉状清洁剂, 分开洗涤, 请勿漂白, 低温免烫滚筒烘干, 请勿熨烫, 请勿使用织物柔软剂, 请勿干洗
<b>Chinese Traditional</b>	如有, 請閉合搭扣帶, 冷水機洗免燙, 粉狀清潔劑, 分開洗滌, 請勿漂白, 低溫免燙滾筒烘乾, 請勿熨燙, 請勿使用織物柔軟劑, 請勿乾洗
<b>Japanese</b>	フックやファスナーを閉じます(ある場合), 洗濯機水洗い(パーマントプレスコース), 粉末洗剤, 個別に洗濯してください, 漂白剤使用不可, 乾燥機使用可(パーマントプレスコース、低温), アイロン使用不可, 柔軟剤の使用不可, ドライクリーニング不可
<b>Korean</b>	가, 가, 가, 가, 가, 가, 가, 가
<b>Danish</b>	Luk eventuelle lynlås og knapper, Kold maskinvask, strygefri, Vaskepulver, Vask separat, Må ikke afbleges, Tør i tørretumbler, strygefri, lav, Brug ikke strygejern, Brug ikke skyllemiddel, Må ikke renses kemisk
<b>Norwegian</b>	Hvis glidelås må den lukkes, Maskinvask kald, permanent press, Vaskepulver, Vaskes separat, Må ikke blekes, Tørketrommel, permanent press lavt, Skal ikke strykes, Ikke bruk tøymykner, Skal ikke renses
<b>Swedish</b>	Stäng krok- och ögelfäste om befintligt, Maskintvättas kallt strykfritt, Pulvertvättmedel, Tvättas separat, Får inte blekas, Torktumlas strykfritt låg nivå, Får inte strykas, Sköljmedel får inte användas, Kemtvättas inte
<b>Dutch</b>	Indien aanwezig haak- en lussluiting sluiten, Koud wassen in wasmachine, kreukvrij, Poederwasmiddel, Apart wassen, Niet bleken, In droger op kreukvrij - laag, Niet strijken, Geen wasverzachter gebruiken, Niet laten stomen
<b>French Canadian</b>	Le cas échéant, fermer les fermetures autoagrippant, Laver à la machine à l'eau froide, réglage pressage permanent, Détergent en poudre, Laver séparément, Ne pas utiliser d'agent de blanchiment, Séchage par culbutage à basse température, réglage pressage permanent, Ne pas repasser, Ne pas utiliser d'assouplisseur, Ne pas nettoyer à sec



## Content Report

Line Slot: Canyon Meadows II Sftshl

State: Production

Season: F24

Merchandise Division: Outerwear

Merchandise Collection: Trail

Product Class: Soft Shell Tops

Designer: dmaguire

Developer: wendall.nelson

LO Developer: kgokul

Sourcing Manager: melissa.gallagher

Fit Engineer: alicehan



Design: F4MO209039

Sample LO:

Production LO: India

Style Material Style

Style Description

Pattern

Base Size

Size Scale

Fit

SMU Type

WO0698

2090391

Canyon Meadows™ II Softshell

L22M3095

M

S - XXL

Active

N/A

**CONTENT CODE: AIO**

Shell Face:

100% Polyester

Shell Back:

100% Polyester Exclusive of Trimming

**Color Way Number**

**Color Way Name**

**FRENCH**

Tissu de la partie avant:

100% Polyester

Tissu de la partie arrière:

100% Polyester Sauf les bordures

464

Collegiate Navy

**GERMAN**

Außenhülle Vorderteil:

100% Polyester

Rückenteil Außenhülle Rückenteil:

100% Polyester Ohne Besatz

010

Black

**PORTUGUESE**

Exterior anterior:

100% Poliéster

Exterior posterior:

100% Poliéster Sem orlas

**SPANISH**

Parte delantera de la cubierta:

100% Poliéster

Parte posterior de la cubierta:

100% Poliéster Exclusivo de los ribetes

**ITALIAN**

Parte anteriore guscio:

100% Poliestere

Parte posteriore guscio:

100% Poliestere Ad eccezione dei bordini

**RUSSIAN**

Оболочка, лицо:

100% Полиэфир

Оболочка, изнанка:

100% Полиэфир Без дополнительных деталей

**CZECH REPUBLICAN**

Přední dík skořepiny:

100% Polyester

Zadní díl skořepiny:

100% Polyester Bez nášivek

**HEBREW**

חזית המעטפת:

100% פוליאסטר

גב המעטפת:

100% פוליאסטר ללא קישוט

**HUNGARIAN**

Külső elöl:

100% Poliészter

Külső hátul:

100% Poliészter Szegélydíszen kívül

**POLISH**

Wierzch powłoki:

100% Poliester

Spód powłoki:

100% Poliester Wyłączając naszywki

**PORTUGUESE BRAZIL**

Exterior anterior:

100% Poliéster

Exterior posterior:

100% Poliéster Sem adornos

**SLOVAKIAN**

Plášť, predná časť:

100% Polyester

Plášť, zadná časť:

100% Polyester Okrem lemovania

**SLOVENIAN**

Lice lupine:

100% Poliester

Hrbet lupine:

100% Poliester Brez obrezovanja

**SPANISH LATIN AMERICAN**

Parte delantera de la cubierta:

100% Poliéster

Parte posterior de la cubierta:

100% Poliéster Exclusivo de los ribetes

**TURKISH**

Kabuk Ön:

100% Polyester

Kabuk Arka:

100% Polyester Süsler Hariç

## Content Report

Line Slot: Canyon Meadows II Sftshl

State: Production

Season: F24

Merchandise Division: Outerwear

Merchandise Collection: Trail

Product Class: Soft Shell Tops

Designer: dmaguire

Developer: wendall.nelson

LO Developer: kgokul

Sourcing Manager: melissa.gallagher

Fit Engineer: alicehan



Design: F4MO209039

Sample LO:

Production LO: India

Style Material Style

Style Description

Pattern

Base Size

Size Scale

Fit

SMU Type

WO0698

2090391

Canyon Meadows™ II Softshell

L22M3095

M

S - XXL

Active

N/A

<b>CHINESE SIMPLIFIED</b>	外壳正面:	100% 聚酯
	外壳背面:	100% 聚酯 不包括装饰品
<b>CHINESE TRADITIONAL</b>	外壳正面:	100% 聚酯
	外壳背面:	100% 聚酯 不包括装饰品
<b>JAPANESE</b>	シエル表:	100% ポリエステル
	シエル裏:	100% ポリエステル 装飾品を除く
<b>KOREAN</b>	:	100%
	:	100%
<b>DANISH</b>	Forside af skal:	100% Polyester
	Bagside af skal:	100% Polyester Inkluderer ikke kant
<b>NORWEGIAN</b>	Skall forside:	100% Polyester
	Skall rygg:	100% Polyester Eksklusiv trimming
<b>SWEDISH</b>	Ytterdel främre:	100% Polyester
	Ytterdel bakre:	100% Polyester Utan trimming
<b>DUTCH</b>	Schelp-voorkant:	100% Polyester
	Schelp-achterkant:	100% Polyester Exclusief trimmen
<b>FRENCH CANADIAN</b>	Tissu de la partie avant:	100% Polyester
	Tissu de la partie arrière:	100% Polyester Exclut les bordures

### Pattern Piece Detail

Line Slot: Canyon Meadows II Sftshl      State: Production      Season: F24  
 Merchandise Division: Outerwear      Merchandise Collection: Trail      Product Class: Soft Shell Tops  
 Designer: dmaguire      Developer: wendall.nelson      LO Developer: kgokul      Sourcing Manager: melissa.gallagher  
 Fit Engineer: alicehan  
 Design: F4MO20903      Sample LO: 9      Production LO: India  
 Style      Material Style      Style Description      Pattern      Base Size      Size Scale      Fit      SMU Type  
 WO0698      2090391      Canyon Meadows™ II Softshell      L22M3095      M      S - XXL      Active      N/A



#### L22M3095 - Winter Hike Softshell -Active

Component	Quantity	Long Description	Abbreviation	Code
Shell 1	2	GUSSET	GT	07001
Shell 1	1	LEFT SLEEVE	LTSLV	34001
Shell 1	1	LOWER BACK	LWBK	23001
Shell 1	2	LOWER FRONT	LWFT	13001
Shell 1	2	MIDDLE FRONT	MDFT	12001
Shell 1	1	RIGHT SLEEVE	RTSLV	36001
Shell 1	1	TOP COLLAR	TPCLR	40002
Shell 1	1	TOP STORM FLAP	TPSTMFLP	90008
Shell 1	1	UNDER COLLAR	UNCLR	40003
Shell 2	1	BACK	BK	20001
Shell 2	1	LEFT FRONT	LTFT	14001
Shell 2	1	RIGHT FRONT	RTFT	16001
Lining 1	1	BACK HEM FACING	BKHMFC	20008
Lining 1	2	FRONT HEM FACING	FTHMFC	10007
Lining 1	2	LOWER POCKET FACING	LWPKTFC	73003
Lining 1	1	UNDER STORM FLAP	UNSTMFLP	90009
Lining 2	2	LOWER POCKET	LWPKT	73001
Interfacing 1	2	STITCH PELLON	STCHPEL	10162
Interfacing 1	1	TOP COLLAR	TPCLR	40002
Interfacing 1	1	TOP STORM FLAP	TPSTMFLP	90008

This is confidential and proprietary information of Columbia Sportswear Company. You agree that you will not disclose this information to any third party or use it for any purpose other than on behalf of Columbia. You have no right to use Columbia's name or any of its trademarks, trade names, copyrights, patents, designs or other intellectual property except as set forth in writing by Columbia.

### Measurements

Line Slot: Canyon Meadows II Sftshl

State: Production

Season: F24

Merchandise Division: Outerwear

Merchandise Collection: Trail

Product Class: Soft Shell Tops

Designer: dmaguire

Developer: wendall.nelson

LO Developer: kgokul

Sourcing Manager: melissa.gallagher

Fit Engineer: alicehan



Design: F4MO209039

Sample LO:

Production LO: India

Style Material Style

Style Description

Pattern

Base Size

Size Scale

Fit

SMU Type

WO0698

2090391

Canyon Meadows™ II Softshell

L22M3095

M

S - XXL

Active

N/A

Sort Order		Use	Type	Placement	(+/-)	S	M	L	XL	XXL
Grade Rule: CSC Mens Outerwear Tops - XXS-XXL (M) - Block: null										
1001.0	CHEST WIDTH POSITION - from CB neck seam		Graded		0.0	10.25	<b>10.5</b>	10.75	11.0	11.25
1100.0	CHEST WIDTH - circumference	QC	Graded		1.0	42.0	<b>45.0</b>	49.0	53.0	57.0
1301.0	WAIST WIDTH POSITION - from CB neck seam		Graded		0.0	17.25	<b>17.5</b>	17.75	18.0	18.25
1400.0	WAIST WIDTH - circumference	QC	Graded		1.0	40.0	<b>43.0</b>	47.0	51.0	55.0
1610.0	SWEEP WIDTH - circumference	QC	Graded		1.0	40.0	<b>43.0</b>	47.0	51.0	55.0
1900.0	CENTER BACK HEM DROP - difference from CF to CB		Graded		0.125	1.0	<b>1.0</b>	1.0	1.0	1.0
2003.0	BACK BODY LENGTH - CB neck to edge of hem - group grade	QC	Graded		0.5	29.0	<b>29.0</b>	30.0	30.0	31.0
2602.0	SLEEVE LENGTH - Long Sleeve - CB neck to hem edge	QC	Graded		0.625	35.25	<b>36.0</b>	37.0	38.0	39.0
2700.0	SLEEVE WIDTH POSITION - from CB neck		Graded		0.0	13.75	<b>14.25</b>	15.0	15.75	16.5
2720.0	SLEEVE WIDTH - circumference	QC	Graded		0.5	17.25	<b>18.0</b>	19.125	20.25	21.375
2800.0	ELBOW WIDTH POSITION - from CB neck		Graded		0.0	24.125	<b>24.75</b>	25.625	26.5	27.375
2820.0	ELBOW WIDTH - circumference	QC	Graded		0.375	12.875	<b>13.5</b>	14.25	15.0	15.75
3002.0	SLEEVE OPENING - long sleeve (Relaxed) - circumference	QC	Graded		0.25	8.375	<b>8.75</b>	9.125	9.5	9.875
3004.0	SLEEVE OPENING - long sleeve (Extended) - circumference	QC	Graded		0.25	10.625	<b>11.0</b>	11.375	11.75	12.125
3450.0	NECK CIRCUMFERENCE - at seam	QC	Graded		0.25	19.5	<b>20.25</b>	21.25	22.25	23.25

### Measurements

Line Slot: Canyon Meadows II Sftshl  
 Merchandise Division: Outerwear  
 Designer: dmaguire  
 Fit Engineer: alicehan

Merchandise Collection: Trail  
 Developer: wendall.nelson

State: Production  
 Product Class: Soft Shell Tops  
 LO Developer: kgokul

Season: F24  
 Sourcing Manager: melissa.gallagher



Design:	F4MO209039	Sample LO:		Production LO:	India		
Style	Material Style	Style Description	Pattern	Base Size	Size Scale	Fit	SMU Type
WO0698	2090391	Canyon Meadows™ II Softshell	L22M3095	M	S - XXL	Active	N/A

Sort Order		Use	Type	Placement	(+/-)	S	M	L	XL	XXL
3600.0	COLLAR LENGTH - at top	QC	Graded		0.25	19.0	<b>19.75</b>	20.75	21.75	22.75
3650.0	COLLAR HEIGHT - at CB	QC	Graded		0.125	3.0	<b>3.0</b>	3.0	3.0	3.0
3651.0	COLLAR HEIGHT - at CF	QC	Graded		0.125	3.0	<b>3.0</b>	3.0	3.0	3.0
6830.0	FINISHED ZIPPER LENGTH - lower front pocket opening		Varies By Style		0.125	7.0	<b>7.0</b>	7.5	7.5	8.0
930.0	Drawcord-Cording-Laces 1		Component	IC cuff	0.0	2.75	<b>2.75</b>	2.75	2.75	2.75
960.0	Drawcord-Cording-Laces 2		Component	hem	0.0	51.0	<b>54.0</b>	58.0	63.0	66.0
3190.0	Webbing and Tape 1		Component	sleeve cuff binding	0.0	9.375	<b>9.75</b>	10.125	10.5	10.875
3210.0	Webbing and Tape 2		Component	toggle tether to side seam	0.0	2.0	<b>2.0</b>	2.0	2.0	2.0
3230.0	Webbing and Tape 3		Component	toggle tether to hem facing	0.0	2.25	<b>2.25</b>	2.25	2.25	2.25
3670.0	Zipper 1		Component	CF	0.0	29.0	<b>29.0</b>	30.0	30.0	31.0
3690.0	Zipper 2		Component	hand	0.0	8.0	<b>8.0</b>	8.5	8.5	9.0

This is confidential and proprietary information of Columbia Sportswear Company. You agree that you will not disclose this information to any third party or use it for any purpose other than on behalf of Columbia. You have no right to use Columbia's name or any of its trademarks, trade names, copyrights, patents, designs or other intellectual property except as set forth in writing by Columbia.

### Thumbnail

Line Slot: Canyon Meadows II Sftshl  
 Merchandise Division: Outerwear  
 Designer: dmaguire  
 Fit Engineer: alicehan

Merchandise Collection: Trail  
 Developer: wendall.nelson

State: Production  
 Product Class: Soft Shell Tops  
 LO Developer: kgokul

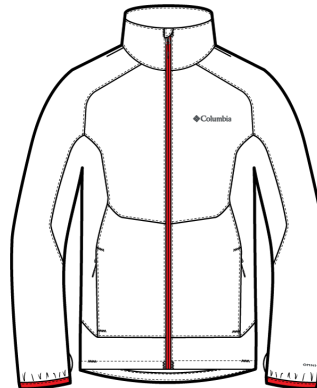
Season: F24  
 Sourcing Manager: melissa.gallagher

Design: F4MO209039  
 Style: Material Style  
 WO0698 2090391

Sample LO:  
 Style Description: Canyon Meadows™ II Softshell  
 Pattern: L22M3095

Production LO: India  
 Base Size: M  
 Size Scale: S - XXL

Fit: Active  
 SMU Type: N/A



This is confidential and proprietary information of Columbia Sportswear Company. You agree that you will not disclose this information to any third party or use it for any purpose other than on behalf of Columbia. You have no right to use Columbia's name or any of its trademarks, trade names, copyrights, patents, designs or other intellectual property except as set forth in writing by Columbia.

## Technical

Line Slot: Canyon Meadows II Sftshl		State: Production		Season: F24			
Merchandise Division: Outerwear	Merchandise Collection: Trail	Product Class: Soft Shell Tops					
Designer: dmaquire	Developer: wendall.nelson	LO Developer: kgokul		Sourcing Manager: melissa.gallagher			
Fit Engineer: alicehan							
Design: F4MO209039	Sample LO:	Production LO:	India				
Style WO0698	Material Style 2090391	Style Description Canyon Meadows™ II Softshell	Pattern L22M3095	Base Size M	Size Scale S - XXL	Fit Active	SMU Type N/A

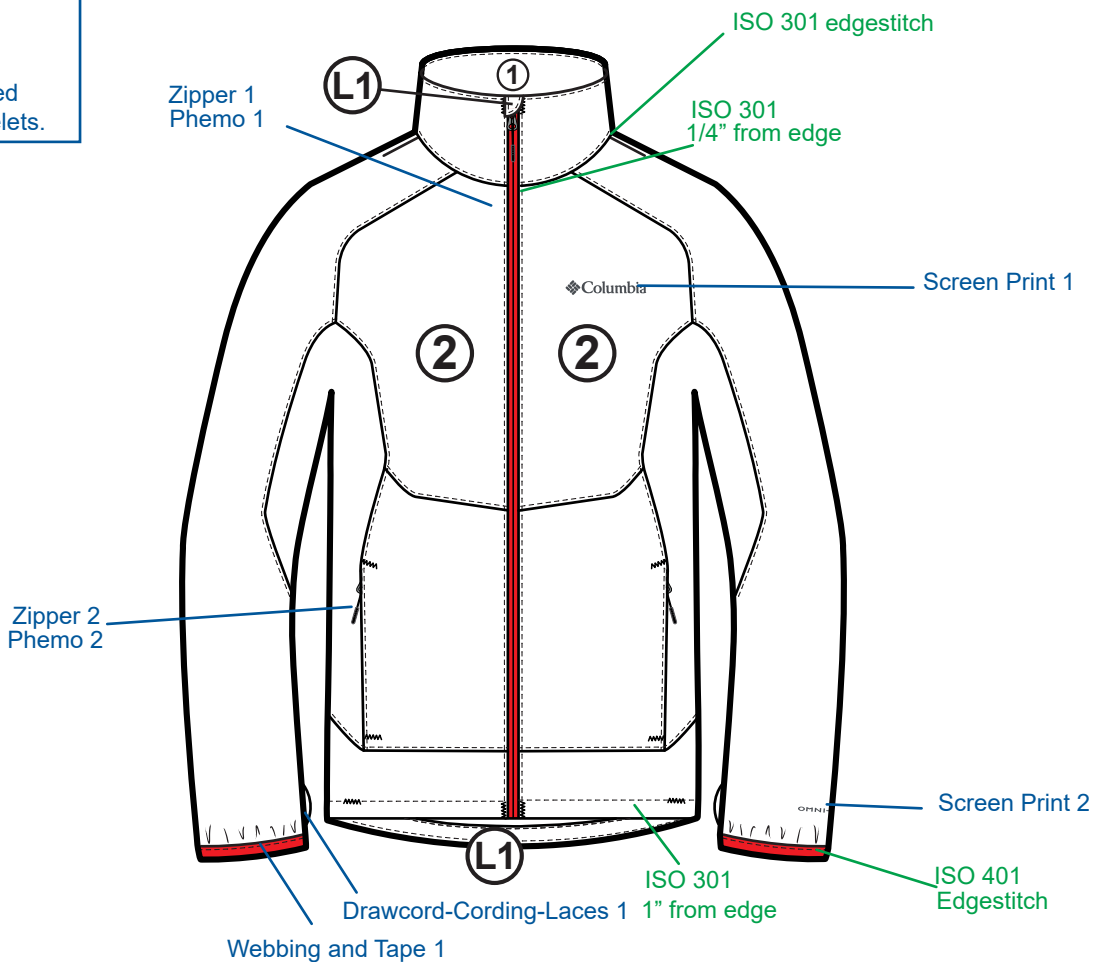


**Last Updated:** 11.17.22 WN

\*\*All Shell ① unless Indicated

All Topstitch ISO 301 1/8" from edge unless otherwise noted  
ISO 301 or 401 for binding.  
ISO 301 edgestitch as needed.

L1: hand pkt bag facing;  
L2 hand pkt bags, brushed side to skin;  
Interfacing 1: where needed  
Washer 1: to reinforce eyelets.

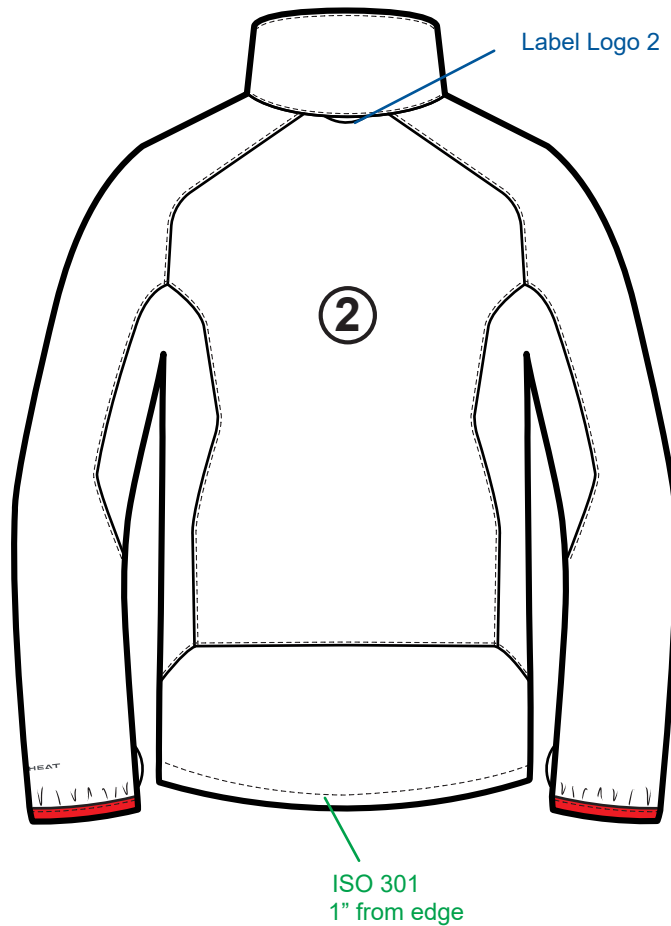




## Technical

Line Slot: Canyon Meadows II Sftshl      State: Production      Season: F24  
 Merchandise Division: Outerwear      Merchandise Collection: Trail      Product Class: Soft Shell Tops  
 Designer: dmaguire      Developer: wendall.nelson      LO Developer: kgokul      Sourcing Manager: melissa.gallagher  
 Fit Engineer: alicehan

Design:	F4MO20903 9	Sample LO:		Production LO:	India		
Style	Material Style	Style Description	Pattern	Base Size	Size Scale	Fit	SMU Type
WO0698	2090391	Canyon Meadows™ II Softshell	L22M3095	M	S - XXL	Active	N/A

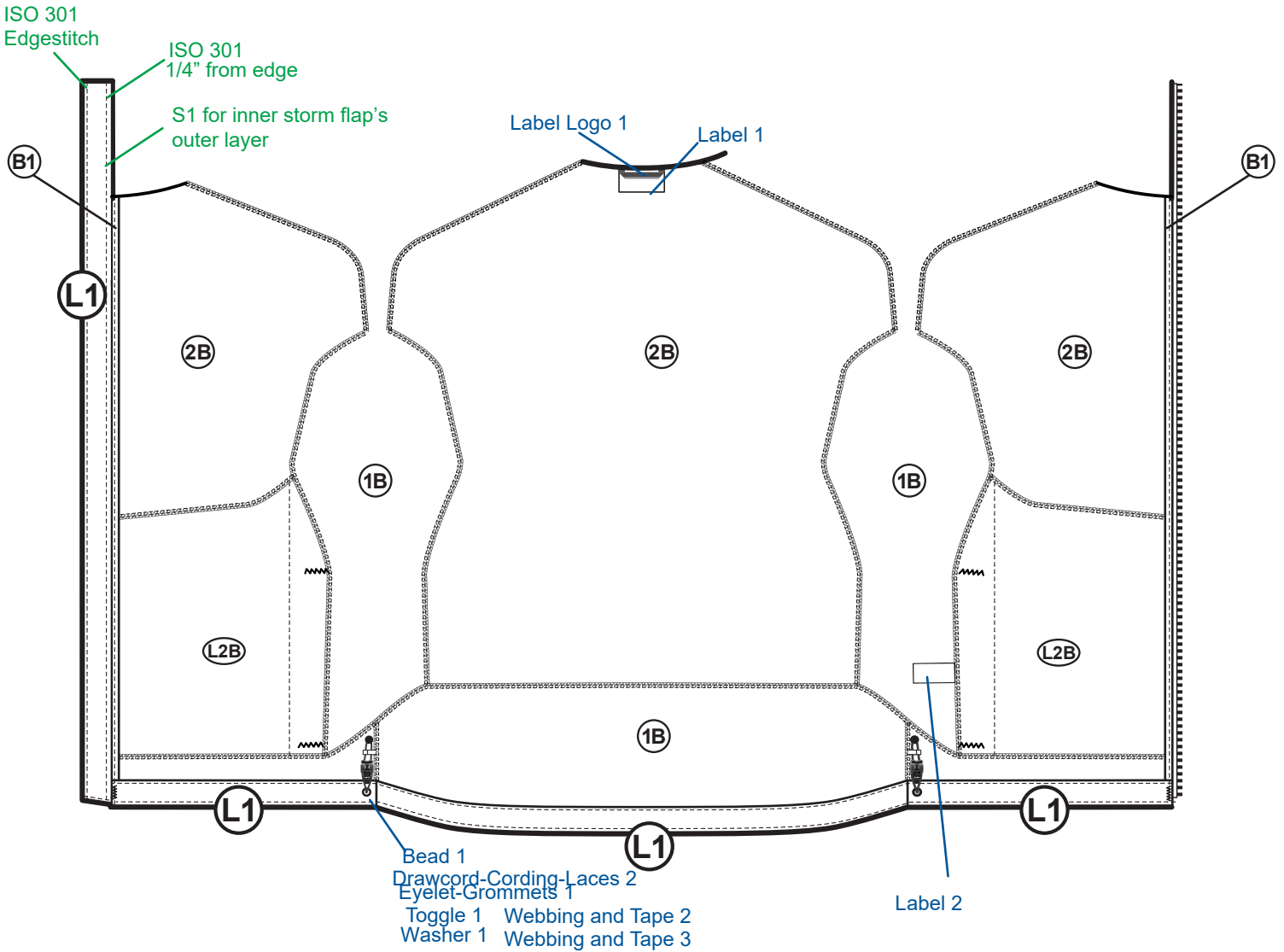
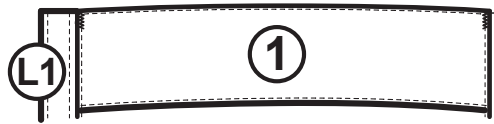


## Technical

Line Slot: Canyon Meadows II Sftshl		State: Production		Season: F24			
Merchandise Division: Outerwear	Merchandise Collection: Trail	Product Class: Soft Shell Tops					
Designer: dmaguire	Developer: wendall.nelson	LO Developer: kgokul		Sourcing Manager: melissa.gallagher			
Fit Engineer: alicehan							
Design: F4MO20903	Sample LO: 9	Production LO:	India				
Style WO0698	Material Style 2090391	Style Description Canyon Meadows™ II Softshell	Pattern L22M3095	Base Size M	Size Scale S - XXL	Fit Active	SMU Type N/A



Last Updated: 06.21.2021 KL



## Technical

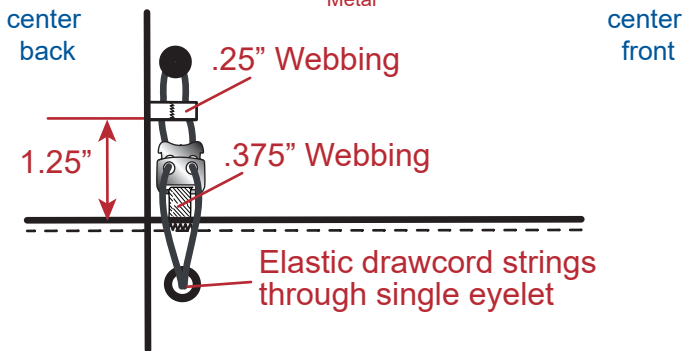
Line Slot: Canyon Meadows II Sftshl		State: Production	Season: F24
Merchandise Division: Outerwear	Merchandise Collection: Trail	Product Class: Soft Shell Tops	
Designer: dmaguire	Developer: wendall.nelson	LO Developer: kgokul	Sourcing Manager: melissa.gallagher
Fit Engineer: alicehan			

Design:	F4MO20903 9	Sample LO:		Production LO:	India		
Style	Material Style	Style Description	Pattern	Base Size	Size Scale	Fit	SMU Type
WO0698	2090391	Canyon Meadows™ II Softshell	L22M3095	M	S - XXL	Active	N/A



### HEM DRAWCORD ADJUSTMENT: MID WT OW

Toggle: 031940.5mm ID  
Metal



#### Tether measurements

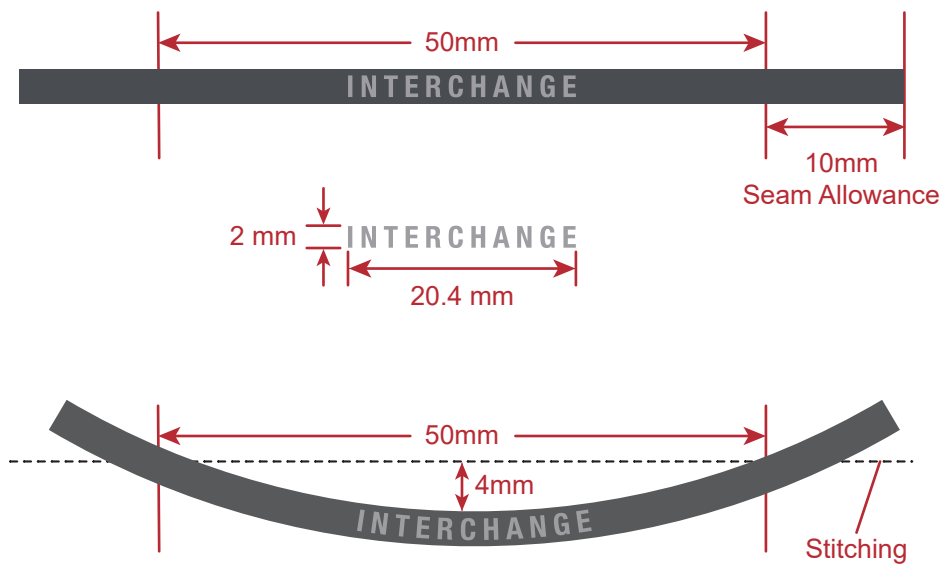


## Technical

Line Slot: Canyon Meadows II Sftshl		State: Production	Season: F24				
Merchandise Division: Outerwear	Merchandise Collection: Trail	Product Class: Soft Shell Tops					
Designer: dmaguire	Developer: wendall.nelson	LO Developer: kgokul	Sourcing Manager: melissa.gallagher				
Fit Engineer: alicehan							
Design: F4MO20903 9	Sample LO:	Production LO:	India				
Style	Material Style	Style Description	Pattern	Base Size	Size Scale	Fit	SMU Type
WO0698	2090391	Canyon Meadows™ II Softshell	L22M3095	M	S - XXL	Active	N/A



### I/C LOOPS AT CB NECKLINE



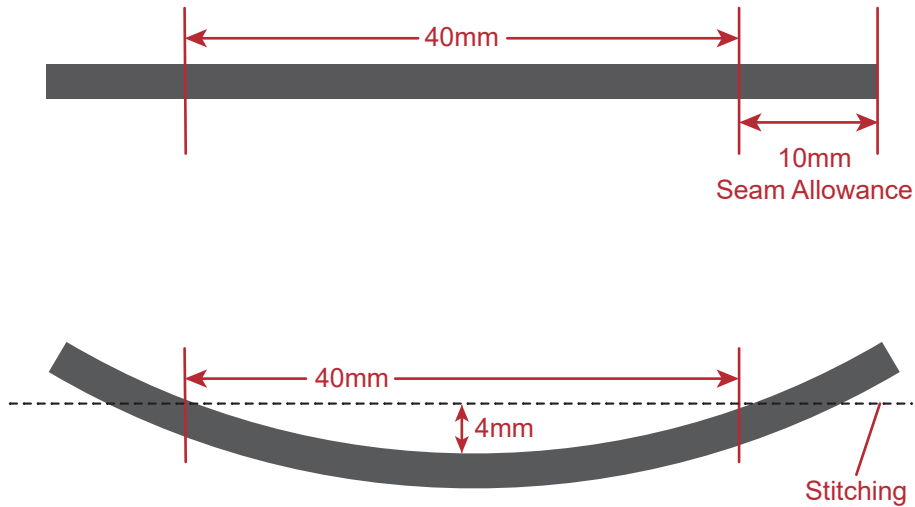
For the Liner Jackets Center-Back neckseam Interchange Loop:  
Please make sure the "INTERCHANGE" text will be shown front  
and center; please make sure the loop won't twist.

## Technical

Line Slot: Canyon Meadows II Sftshl		State: Production	Season: F24				
Merchandise Division: Outerwear	Merchandise Collection: Trail	Product Class: Soft Shell Tops					
Designer: dmaquire	Developer: wendall.nelson	LO Developer: kgokul	Sourcing Manager: melissa.gallagher				
Fit Engineer: alicehan							
Design: F4MO20903 9	Sample LO:	Production LO:	India				
Style	Material Style	Style Description	Pattern	Base Size	Size Scale	Fit	SMU Type
WO0698	2090391	Canyon Meadows™ II Softshell	L22M3095	M	S - XXL	Active	N/A



### I/C LOOPS AT CUFFS



For the Liner Jackets Sleeve Cuff Interchange Loop:  
Please make sure loop won't twist

This is confidential and proprietary information of Columbia Sportswear Company. You agree that you will not disclose this information to any third party or use it for any purpose other than on behalf of Columbia. You have no right to use Columbia's name or any of its trademarks, trade names, copyrights, patents, designs or other intellectual property except as set forth in writing by Columbia.

# Hangtag Package Report

Apparel Style: WO0698

Season: F24

Brand: Columbia

Merchandise Category: Outerwear

Merchandiser: Ash.Peltz

Line Slot: Canyon Meadows II Sftshl

Sort Order: 1.0 Part: 126966 - Active Fit Swing Tag  
 Instruction: Swing tag to be placed on top of cover tag on same plastic loop.

SKU	Color	Name	Effective Date
OP1490983	126966	OP1490983_126966_MT_Active Fit	10-18-23



SKU	Color	Name	Effective Date
Process Blue / Peaches Blue	126966	Active Fit Swing Tag	10-18-23
75 x 137 / 105mm x 88.9mm		Apparel Coding Div Col. Swing Tag	



Sort Order: 2.0 Part: 126995 - Columbia Omni-Heat Infinity, Omni-Shield Hangtag  
 Instruction: (Tag should be hung with 3" plastic loop stringer through lower left front pocket zipper pull)

SKU	Color	Name	Effective Date
OP1490998	126995	OP1490998_126995_CT_Columbia_Omni-Heat Infinity, Omni-Shield	10-19-23



SKU	Color	Name	Effective Date
Process Blue / AC	126995	Omni-Heat Infinity, Omni-Shield Hangtag	10-19-23
1.88" x 4.87" / 48.01mm x 123.81mm		Apparel Coding Div Col. Swing Tag	



Sort Order: 3.0 Part: 121612 - MSRP/UPC with RFID Specs for MSRP.  
 Please refer to VAS specs for any exceptions. MSRP required on all product shipping to the US.  
 Instruction:

SKU	Color	Name	Effective Date
n/a	121612	PDM_121612_RFID UPC Sticker...Dec..3..2022	12-03-22



SKU	Color	Name	Effective Date
Black	121612	RFID UPC Sticker	12-03-22
1.5885" x 1.6261" / 40.24mm x 41.41mm		Apparel Coding Div Col. Swing Tag	

