

### Related Styles

Line Slot: Ascender II HDD  
 Merchandise Division: Outerwear  
 Designer: dmaguire  
 Fit Engineer: alicehan

State: Production  
 Product Class: Soft Shell Tops  
 LO Developer: keerthis

Season: F25  
 Sourcing Manager: melissa.gallagher

Merchandise Collection: Trail  
 Developer: alicehan



Design:	F4MO209045	Sample LO:		Production LO:	India		
Style	Material Style	Style Description	Pattern	Base Size	Size Scale	Fit	SMU Type
WM5779	2090451	Ascender™ II Hooded Softshell Jacket	L14M2016	M	S - XXL	Regular	N/A

Style	Material Style	Style Description	Design	Pattern	Base Size	Size Scale	Sample LO	Production LO
WX5779	2090454	Ascender™ II Hooded Softshell Jacket	F4MO209045	EL14M2016	M	S - XXL		India
WS5779	2090452	Ascender™ II Hooded Softshell Jacket	F4MO209045	L14S2016	2X	1X - 6X		India
WT5779	2090453	Ascender™ II Hooded Softshell Jacket	F4MO209045	L14T2016	2XT	LT - 4XT		India

This is confidential and proprietary information of Columbia Sportswear Company. You agree that you will not disclose this information to any third party or use it for any purpose other than on behalf of Columbia. You have no right to use Columbia's name or any of its trademarks, trade names, copyrights, patents, designs or other intellectual property except as set forth in writing by Columbia.

## Part Specifications with Approved Suppliers

Line Slot: Ascender II HDD State: Production Season: F25  
 Merchandise Division: Outerwear Merchandise Collection: Trail Product Class: Soft Shell Tops  
 Designer: dmaguire Developer: alicehan LO Developer: keerthis Sourcing Manager: melissa.gallagher  
 Fit Engineer: alicehan

Design: F4MO209045 Sample LO: Production LO: India Vendor Master INDIA Vendor Master INDIA  
 Production LO: Sourcing LO:  
 Style Material Style Style Pattern Base Size Size Scale Fit SMU Type  
 Description  
 WM5779 2090451 Ascender™ II L14M2016 M S - XXL Regular N/A  
 Hooded Softshell Jacket



Number	Description	UM	Fiber Content	Fiber Content Back	Material Coating	Material Finish (Face)	Material Laminate	Trim Specific	Supplier Art No	Country of Origin	Standard Cost (FOB)	Purchase Cost (CIF)	Product on Lead Time with Greige	Product on Lead Time without Greige	
<b>Fabric</b>															
121277	PFC FREE Version of 032888 - Nexgen Contour Softshell	yd	100% Polyester	100% Polyester	MaterialCoatingNone	Durable Water Repellent (80/10HL) C0 PFOA/PFOS Free	Adhesive - Dot Matrix								
Jiaxing Deyong Textiles Co Ltd (JDT)		Fabric Width: 55.0 in Width Type: unassigned Primary Weight: 310.0 g/m2								TBD	China	4.37	0.0	48	70
119358	PFC Free Version of 064235 Nexgen Precision and Contour Softshell Face Only	yd	100% Polyester	unassigned	MaterialCoatingNone	MaterialFinishNone, Durable Water Repellent (80/10HL) C0 PFOA/PFOS Free	MaterialLaminateNone								
Apex Textile Co. Ltd.		Fabric Width: 58.0 in Width Type: cuttable Primary Weight: 119.0 g/m2								FA1107DE	China	1.94	0.0	30	40
004476	FOR POCKETING AND YOUTH STYLES ONLY Chamois Touch Tricot	yd	100% Polyester	unassigned	unassigned	Anti-pill (face), Brushed (Tech Face)	unassigned								
Huge-Bamboo Enterprise Co., Ltd.		Fabric Width: 60.0 in Width Type: cuttable Primary Weight: 75.0 g/m2								RA145069-7C-5910225A	Vietnam	0.65	0.0	35	50
Haren Textiles Pvt. Ltd.		Fabric Width: 60.0 in Width Type: cuttable Primary Weight: 80.0 g/m2								90363	India	0.68	0.0	30	45
YOUNGONE CORPORATION--Fabric division		Fabric Width: 60.0 in Width Type: cuttable Primary Weight: 77.0 g/m2								PDM004476	Bangladesh	0.94	0.0	40	70
Huge Rock Textile Co., Ltd.		Fabric Width: 60.0 in Width Type: cuttable Primary Weight: 75.0 g/m2								004476	Taiwan	0.95	0.0	60	75
HTT Insprite (Xiamen) Imp & Exp Co. Ltd.		Fabric Width: 60.0 in Width Type: cuttable Primary Weight: 75.0 g/m2								004476	China	0.67	0.0	35	60
011958	Interlining Sew-In Non-Woven Lightweight Soft. Recycled version 110671	yd	80% Polyester, 20% Viscose	unassigned	unassigned	unassigned	unassigned								
MaxBond		Fabric Width: 48.0 in Width Type: cuttable Primary Weight: 30.0 g/m2								VP2830	Vietnam	0.27	0.0	10	20
PCC asia LLC		Fabric Width: 60.0 in Width Type: cuttable Primary Weight: 29.0 g/m2								CL2101	China	0.23	0.0	14	21
<b>Trim</b>															

## Part Specifications with Approved Suppliers

Line Slot: Ascender II HDD State: Production Season: F25  
 Merchandise Division: Outerwear Merchandise Collection: Trail Product Class: Soft Shell Tops  
 Designer: dmaquire Developer: alicehan LO Developer: keerthis Sourcing Manager: melissa.gallagher  
 Fit Engineer: alicehan



Design: F4MO209045 Sample LO: Production LO: India Vendor Master INDIA Vendor Master INDIA  
 Production LO: Sourcing LO:  
 Style Material Style Style Pattern Base Size Size Scale Fit SMU Type  
 Description  
 WM5779 2090451 Ascender™ II L14M2016 M S - XXL Regular N/A  
 Hooded Softshell Jacket

Number	Description	UM	Fiber Content	Fiber Content Back	Material Coating	Material Finish (Face)	Material Laminate	Trim Specific	Supplier Art No	Country of Origin	Standard Cost (FOB)	Purchase Cost (CIF)	Product on Lead Time with Greige	Product on Lead Time without Greige
011001	3mm (fits single dc size 3mm) Small Hard TPU Cordlock Stopper 1 clr CANNOT BE DONE IN CLEAR COLOR White color may have a yellowing issue	ea	100% TPU	unassigned	unassigned	unassigned	unassigned	Size UM: mm						
Nifco Taiwan Corporation									CLS3	Taiwan	0.0432	0.0	30	35
Unitex International Button Accessories Ltd									011001	China	0.0333	0.0322	32	32
Vietnam Trien Trieu (VTT)									486811	Vietnam	0.03	0.0	30	30
FGV - Shahi Exports Pvt. (SEP) Ltd.									011001	India	0.027	0.0	20	30
POONG HAN PLASTIC (BD) LIMITED									PHCOL-007	Bangladesh	0.0112	0.0	30	30
003472	76mm (A) Bug Columbia Logo embroidery 1 clr. Est st ct 1795	ea	unassigned	unassigned	unassigned	unassigned	unassigned	Size UM: mm Height: 14.0						
Contractor									unassigned	unassigned	0.0	0.0	0	0
Contractor-Korea									3472	South Korea	0.1	0.0	14	14
005952	2mm Stretch Strong Drawcord 1 clr	yd	64% Latex, 36% Polyester	unassigned	unassigned	unassigned	unassigned	Size UM: mm						
Paiho Global									5952	Taiwan	0.073	0.0	30	60
Gong Myung Korea									GM-005952	South Korea	0.068	0.0	30	30
Cosmos Knitting International Co. Ltd.									005952	Vietnam	0.079	0.0	30	35
Naturub Group of Companies									BBA-015605	Bangladesh	0.0738	0.0	30	30
FGV - Shahi Exports Pvt. (SEP) Ltd.									005952	India	0.061	0.0	12	15
008166	1.5mm non stretch drawcord w/ticks 2 clr (ECO version use 082935)	yd	100% Polyester	unassigned	unassigned	unassigned	unassigned	Size UM: yd						
Chun Wo Ho Co. Ltd									320704	China	0.07	0.0	30	35
Gong Myung Korea									GM-8166	South Korea	0.0483	0.0	30	30
Paiho Global									008166	Taiwan	0.049	0.0	30	60
Naturub Group of Companies									BBA011534 (Multicolor) / BBA-011773 (Solid color)	Bangladesh	0.0442	0.0	15	25
FGV Sourced									008166	unassigned	0.0609	0.0	15	0
FGV - Shahi Exports Pvt. (SEP) Ltd.									008166	India	0.045	0.0	15	25

**Part Specifications with Approved Suppliers**

Line Slot: Ascender II HDD  
 Merchandise Division: Outerwear Merchandise Collection: Trail State: Production Product Class: Soft Shell Tops Season: F25  
 Designer: dmaguire Developer: alicehan LO Developer: keerthis Sourcing Manager: melissa.gallagher  
 Fit Engineer: alicehan



Design: F4MO209045 Sample LO: Production LO: India Vendor Master INDIA Vendor Master INDIA  
 Production LO: Sourcing LO:

Style	Material Style	Style Description	Pattern	Base Size	Size Scale	Fit	SMU Type
WM5779	2090451	Ascender™ II Hooded Softshell Jacket	L14M2016	M	S - XXL	Regular	N/A

Number	Description	UM	Fiber Content	Fiber Content Back	Material Coating	Material Finish (Face)	Material Laminate	Trim Specific	Supplier Art No	Country of Origin	Standard Cost (FOB)	Purchase Cost (CIF)	Product on Lead Time with Greige	Product on Lead Time without Greige
026906	SAME AS 420024 6mm ID Metal Finish Eyelet 1 clr finish. Use 059588 for enamel DTM color.	set	80% Brass, 20% Other Fibers	unassigned	unassigned	unassigned	unassigned	Size UM: mm						
Button International Company									026906	Taiwan	0.009	0.0148	30	40
Sungbo									026906	South Korea	0.0112	0.0	30	30
Vietnam Trien Trieu (VTT)									026906	Vietnam	0.03	0.0	0	15
Unitex International Button Accessories Ltd									420024	China	0.0129	0.0	35	40
ZHEJIANG WEIXING IMP AND EXP COMPANY LTD(SAB Zippers)									SABETCLB03	Bangladesh	0.011	0.0	20	20
460003	3/4in (20mm) Linear Hook/ two side edge 1clr	yd	100% Nylon	unassigned	unassigned	unassigned	unassigned	Size UM: mm Width: 19.0						
Gong Myung Korea									460003	South Korea	0.152	0.0	30	30
Velcro Ltd									460003	Hong Kong	0.3658	0.0	0	45
Sanjay Impex (Sky Magic)									460003	India	0.0	0.0	0	0
Paiho Global									460003	Taiwan	0.153	0.0	30	45
FGV - Maxzone Ltd. Astro Co. Ltd. (MZL)									460003	unassigned	0.0	0.0	0	0
059197	USE ONLY FOR ALL ADULT sizes AND YOUTH S-XL 42mm x 8mm Lightweight Stripe woven ECO Hanger Loop DOWN 2 clr other colors w Director approval only	ea	100% Recycled Polyester	unassigned	unassigned	unassigned	unassigned	Size UM: mm						
Dong Young									DY-59197	South Korea	0.024	0.0	25	25
Avery Dennison Global									059197	China	0.024	0.0	30	30
460004	3/4in (20mm) Linear Loop/two side edge 1clr	yd	100% Nylon	unassigned	unassigned	unassigned	unassigned	Size UM: mm Width: 19.0						
Gong Myung Korea									460004	South Korea	0.152	0.0	30	30
Sanjay Impex (Sky Magic)									460004	India	0.0	0.0	0	0
Paiho Global									460004	Taiwan	0.153	0.0	30	45
FGV - Maxzone Ltd. Astro Co. Ltd. (MZL)									460004	unassigned	0.0	0.0	0	0
110529	Coats Astra EV spun Polyester Tex 30	met er	100% Recycled Polyester	unassigned	unassigned	unassigned	unassigned	Size UM: tex						
Coats Global Thread									EV65090	unassigned	0.00048	0.0	0	0





## Part Specifications with Approved Suppliers

Line Slot: Ascender II HDD	State: Production	Season: F25
Merchandise Division: Outerwear	Merchandise Collection: Trail	Product Class: Soft Shell Tops
Designer: dmaguire	Developer: alicehan	LO Developer: keerthis
Fit Engineer: alicehan	Sourcing Manager: melissa.gallagher	

Design:	F4MO209045	Sample LO:	Production LO: India	Vendor Master INDIA	Vendor Master INDIA		
Style	Material Style	Style Description	Pattern	Base Size	Size Scale	Fit	SMU Type
WM5779	2090451	Ascender™ II Hooded Softshell Jacket	L14M2016	M	S - XXL	Regular	N/A



Number	Description	UM	Fiber Content	Fiber Content Back	Material Coating	Material Finish (Face)	Material Laminate	Trim Specific	Supplier Art No	Country of Origin	Standard Cost (FOB)	Purchase Cost (CIF)	Product on Lead Time with Greige	Product on Lead Time without Greige
Bao Shen (Apparel)									n/a	unassigned	0.049	0.0	7	0
Avery Dennison Global									n/a	unassigned	0.04875	0.0	14	0
097038	Columbia Omni-Shield Hangtag	ea	unassigned	unassigned	unassigned	unassigned	unassigned	Size UM: cm						
Hang Sang Press Co. Ltd									n/a	unassigned	0.0273	0.0	0	0
126967	Regular Fit Swing Tag	ea	unassigned	unassigned	unassigned	unassigned	unassigned	Size UM: in						
Hang Sang Press Co. Ltd									n/a	unassigned	0.023	0.0	0	0
Finotex El Salvador									n/a	unassigned	0.016	0.0	21	28
064194	Outer Carton for costing purpose only	ea	unassigned	unassigned	unassigned	unassigned	unassigned	Size UM: mm						
Contractor									064194	unassigned	0.0	0.0	0	0
980001	Polybag See Standard CCS 4200 for specifications	ea	unassigned	unassigned	unassigned	unassigned	unassigned	Size UM: mm						
Contractor									980001	unassigned	0.0	0.0	0	0
980010	UPC Bag Sticker Generic (MHW/Columbia) See CCS4400/ 4401 and MHW4402 for Mt Hardware for instructions	ea	unassigned	unassigned	unassigned	unassigned	unassigned	Size UM: mm						
Hang Sang Press Co. Ltd									980010	Hong Kong	0.016	0.0	14	14
Avery Dennison Global									980010	China	0.01089	0.0	30	30
FGV Sourced									980010	unassigned	0.0	0.0	0	0
Bao Shen (Apparel)									980010	unassigned	0.011	0.0	7	21
Nexgen Packaging Global									980010	unassigned	0.011	0.0	21	28

This is confidential and proprietary information of Columbia Sportswear Company. You agree that you will not disclose this information to any third party or use it for any purpose other than on behalf of Columbia. You have no right to use Columbia's name or any of its trademarks, trade names, copyrights, patents, designs or other intellectual property except as set forth in writing by Columbia.

### Color BOM

Line Slot: Ascender II HDD	State: Production	Season: F25					
Merchandise Division: Outerwear	Merchandise Collection: Trail	Product Class: Soft Shell Tops					
Designer: dmaguire	Developer: alicehan	LO Developer: keerthis					
Fit Engineer: alicehan		Sourcing Manager: melissa.gallagher					
Design: F4MO209045	Sample LO:	Production LO: India					
Style: WM5779	Material Style: 2090451	Style Description: Ascender™ II Hooded Softshell Jacket	Pattern: L14M2016	Base Size: M	Size Scale: S - XXL	Fit: Regular	SMU Type: N/A



Component	Details	Placement	Usage	Width	Marker Width	010-Black	023-City Grey	256-Tobacco	397-Stone Green	464-Collegiate Navy
<b>SAP Material Code</b>						2090451010	2090454023	2090451256	2090454397	2090451464
						2090452010	2090451023	2090453256	2090453397	2090453464
						2090454010	2090453023	2090452256	2090451397	2090452464
						2090453010	2090452023	2090454256	2090452397	2090454464
<b>SMU Accounts</b>						N/A	N/A	N/A	N/A	N/A
Shell 1	121277 PFC FREE Version of 032888 - Nexgen Contour Softshell Composite 100% Polyester 100% Polyester 156X132 75 X75 Durable Water Repellent (80/10HL) C0 PFOA/PFOS Free MaterialCoatingNone Adhesive - Dot Matrix 310.0 g/m2 Piece Dye/Jet and Jig NA		1.58 yd	55.0	55	Black, Black	City Grey, City Grey	Tobacco, Tobacco	Stone Green, Stone Green	Collegiate Navy, Collegiate Navy
Shell 2	119358 PFC Free Version of 064235 Nexgen Precision and Contour Softshell Face Only Twill 100% Polyester 160 X 136 75D/72F X 75D/72F MaterialFinishNone, Durable Water Repellent (80/10HL) C0 PFOA/PFOS Free MaterialCoatingNone MaterialLaminateNone 119.0 g/m2 Piece Dye/Jet NA		0.2 yd	58.0	58	Black	City Grey	Tobacco	Stone Green	Collegiate Navy



**Color BOM**

Line Slot: Ascender II HDD      State: Production      Season: F25  
 Merchandise Division: Outerwear      Merchandise Collection: Trail      Product Class: Soft Shell Tops  
 Designer: dmaguire      Developer: alicehan      LO Developer: keerthis      Sourcing Manager: melissa.gallagher  
 Fit Engineer: alicehan

Design: F4MO209045      Sample LO:      Production LO: India  
 Style Material Style      Style Description      Pattern      Base Size      Size Scale      Fit      SMU Type  
 WM5779      2090451      Ascender™ II Hooded Softshell Jacket      L14M2016      M      S - XXL      Regular      N/A



Component	Details	Placement	Usage	Width	Marker Width	010-Black	023-City Grey	256-Tobacco	397-Stone Green	464-Collegiate Navy
<b>SAP Material Code</b>						2090451010	2090454023	2090451256	2090454397	2090451464
						2090452010	2090451023	2090453256	2090453397	2090453464
						2090454010	2090453023	2090452256	2090451397	2090452464
						2090453010	2090452023	2090454256	2090452397	2090454464
Lining 1	004476 FOR POCKETING AND YOUTH STYLES ONLY Chamois Touch Tricot Tricot 100% Polyester 28 Anti-pill (face), Brushed (Tech Face) 80.0 g/m2 Piece Dye/Jet NA		0.23 yd	60.0	60	Black	Shark	Tobacco	Black	Collegiate Navy
Interfacing 1	011958 Interlining Sew-In Non-Woven Lightweight Soft. Recycled version 110671 Interlining 80% Polyester, 20% Viscose 29.0 g/m2		0.11 yd	60.0	60	White	White	White	White	White
Bead 1	011001 3mm (fits single dc size 3mm) Small Hard TPU Cordlock Stopper 1 clr CANNOT BE DONE IN CLEAR COLOR White color may have a yellowing issue		1 ea	0.0	0	Black	Grill	Black	Black	Collegiate Navy
Direct Embroidery 1	003472 76mm (A) Bug Columbia Logo embroidery 1 clr. Est st ct 1795 Height: 14.0		1 ea	0.0	0	Columbia Grey	Columbia Grey	Columbia Grey	Black	Columbia Grey
Drawcord-Cording-Laces 1	005952 2mm Stretch Strong Drawcord 1 clr		1.371 yd	0.0	0	Black	City Grey	Tobacco	Stone Green	Collegiate Navy
Drawcord-Cording-Laces 2	008166 1.5mm non stretch drawcord w/ticks 2 clr (ECO version use 082935)		0.816 yd	0.0	0	Black, Grill	Grill, Columbia Grey	Black, Grill	Black, Grill	Collegiate Navy, Columbia Grey

### Color BOM

Line Slot: Ascender II HDD      State: Production      Season: F25  
 Merchandise Division: Outerwear      Merchandise Collection: Trail      Product Class: Soft Shell Tops  
 Designer: dmaquire      Developer: alicehan      LO Developer: keerthis      Sourcing Manager: melissa.gallagher  
 Fit Engineer: alicehan



Design: F4MO209045      Sample LO:      Production LO: India  
 Style Material Style      Style Description      Pattern      Base Size      Size Scale      Fit      SMU Type  
 WM5779      2090451      Ascender™ II Hooded Softshell Jacket      L14M2016      M      S - XXL      Regular      N/A

Component	Details	Placement	Usage	Width	Marker Width	010-Black	023-City Grey	256-Tobacco	397-Stone Green	464-Collegiate Navy
<b>SAP Material Code</b>						2090451010	2090454023	2090451256	2090454397	2090451464
						2090452010	2090451023	2090453256	2090453397	2090453464
						2090454010	2090453023	2090452256	2090451397	2090452464
						2090453010	2090452023	2090454256	2090452397	2090454464
Eyelets-Grommets 1	026906 SAME AS 420024 6mm ID Metal Finish Eyelet 1 clr finish. Use 059588 for enamel DTM color.		1 set	0.0	0	Black Nickel Finish	Black Nickel Finish	Black Nickel Finish	Black Nickel Finish	Black Nickel Finish
Hook 1	460003 3/4in (20mm) Linear Hook/ two side edge 1clr Width: 19.0		0.114 yd	0.0	0	Black	City Grey	Tobacco	Stone Green	Collegiate Navy
Hook 2	460003 3/4in (20mm) Linear Hook/ two side edge 1clr Width: 19.0		0.059 yd	0.0	0	Black	City Grey	Tobacco	Stone Green	Collegiate Navy
Label Logo 1	059197 USE ONLY FOR ALL ADULT sizes AND YOUTH S-XL 42mm x 8mm Lightweight Stripe woven ECO Hanger Loop DOWN 2 clr other colors w Director approval only		1 ea	0.0	0	Columbia Grey, Grill	Columbia Grey, Grill	Columbia Grey, Grill	Columbia Grey, Grill	Columbia Grey, Grill
Loop 1	460004 3/4in (20mm) Linear Loop/two side edge 1clr Width: 19.0		0.26 yd	0.0	0	Black	City Grey	Tobacco	Stone Green	Collegiate Navy
Loop 2	460004 3/4in (20mm) Linear Loop/two side edge 1clr Width: 19.0		0.103 yd	0.0	0	Black	City Grey	Tobacco	Stone Green	Collegiate Navy
Thread 1	110529 Coats Astra EV spun Polyester Tex 30	10/09/2020: updated per LOM (BM) from 060282 Coats Epic Tex 30 thread. Agreed due to this is not a seal sealed style.	75 meter	0.0	0	DTM	DTM	DTM	DTM	DTM
Thread 2	008214 Coats ASTRA Spun Polyester Tex 27 40/2		575 meter	0.0	0	DTM	DTM	DTM	DTM	DTM
Toggle 1	031940 4.5mm ID Toggle		1 ea	0.0	0	Black	Grill	Black	Black	Collegiate Navy

**Color BOM**

Line Slot: Ascender II HDD State: Production Season: F25  
 Merchandise Division: Outerwear Merchandise Collection: Trail Product Class: Soft Shell Tops  
 Designer: dmaguire Developer: alicehan LO Developer: keerthis Sourcing Manager: melissa.gallagher  
 Fit Engineer: alicehan  
 Design: F4MO209045 Sample LO: Production LO: India  
 Style Material Style Style Description Pattern Base Size Size Scale Fit SMU Type  
 WM5779 2090451 Ascender™ II L14M2016 M S - XXL Regular N/A  
 Hooded Softshell Jacket



Component	Details	Placement	Usage	Width	Marker Width	010-Black	023-City Grey	256-Tobacco	397-Stone Green	464-Collegiate Navy
<b>SAP Material Code</b>						2090451010	2090454023	2090451256	2090454397	2090451464
						2090452010	2090451023	2090453256	2090453397	2090453464
						2090454010	2090453023	2090452256	2090451397	2090452464
						2090453010	2090452023	2090454256	2090452397	2090454464
Washer 1	002614 Plastic Washer (Polyurethane) (use on all Snap Stud and Post or Eyelets if needed) Clear CAN BE USED FOR YOUTH		2 ea	0.0	0	Clear	Clear	Clear	Clear	Clear
Webbing and Tape 1	360027 3/8 in Grosgrain Tape Poly 1 clr Width: 9.5		0.066 yd	0.0	0	Black	Grill	Black	Black	Collegiate Navy
Zipper 1	002673 CNFOL-56 DA8BLH H3 P-TOP REVERSE OpenEnd Left-in AutoLk LargeHole AntSilver Sldr/PI PlasticTopStop RevCoil CAN BE USED FOR CHILDREN Metal content Length: 8.0		1 ea	0.0	0	Black	City Grey	Tobacco	Stone Green	Collegiate Navy
Zipper 2	003272 CNFC-56 DA8BLH H3 T-B-0 REVERSE Clsd AutoLk LargeHole PI AntSil Sldr/PI NoStop RevCoil Metal content Length: 4.0		2 ea	0.0	0	Black	City Grey	Tobacco	Stone Green	Collegiate Navy
Zipper 3	003272 CNFC-56 DA8BLH H3 T-B-0 REVERSE Clsd AutoLk LargeHole PI AntSil Sldr/PI NoStop RevCoil Metal content Length: 4.0		1 ea	0.0	0	Black	City Grey	Tobacco	Stone Green	Collegiate Navy
Label 1	059200 40mm CSC International Size Extended Woven ECO Loop Label for use with Hanger Loop		1 ea	0.0	0	White, Columbia Grey, Compass Blue	White, Columbia Grey, Compass Blue	White, Columbia Grey, Compass Blue	White, Columbia Grey, Compass Blue	White, Columbia Grey, Compass Blue

### Color BOM

Line Slot: Ascender II HDD		State: Production		Season: F25			
Merchandise Division: Outerwear	Merchandise Collection: Trail	Product Class: Soft Shell Tops					
Designer: dmaquire	Developer: alicehan	LO Developer: keerthis		Sourcing Manager: melissa.gallagher			
Fit Engineer: alicehan							
Design: F4MO209045	Sample LO:	Production LO: India					
Style: WM5779	Material Style: 2090451	Style Description: Ascender™ II Hooded Softshell Jacket	Pattern: L14M2016	Base Size: M	Size Scale: S - XXL	Fit: Regular	SMU Type: N/A



Component	Details	Placement	Usage	Width	Marker Width	010-Black	023-City Grey	256-Tobacco	397-Stone Green	464-Collegiate Navy
<b>SAP Material Code</b>						2090451010	2090454023	2090451256	2090454397	2090451464
						2090452010	2090451023	2090453256	2090453397	2090453464
						2090454010	2090453023	2090452256	2090451397	2090452464
						2090453010	2090452023	2090454256	2090452397	2090454464
Label 2	006564 33mm Care Content ECO Booklet Fold label with fully translated country of origin WHT/BLK for most, BLK/WHT for Titanium only, GRY/BLK is for Garment DYE ONLY- waiting on updated artwork		1 ea	0.0	0	White, Black	White, Black	White, Black	White, Black	White, Black
Hangtag Package Part	121612 MSRP/UPC with RFID Specs for MSRP. Please refer to VAS specs for any exceptions. MSRP required on all product shipping to the US.		1 ea	0.0	0	Artwork	Artwork	Artwork	Artwork	Artwork
Hangtag Package Part	097038 Columbia Omni-Shield Hangtag		1 ea	0.0	0	Artwork	Artwork	Artwork	Artwork	Artwork
Hangtag Package Part	126967 Regular Fit Swing Tag		1 ea	0.0	0	Artwork	Artwork	Artwork	Artwork	Artwork
Packaging 1	064194 Outer Carton for costing purpose only		1 ea	0.0	0	Stock	Stock	Stock	Stock	Stock
Packaging 2	980001 Polybag See Standard CCS 4200 for specifications		1 ea	0.0	0	Stock	Stock	Stock	Stock	Stock
Packaging 3	980010 UPC Bag Sticker Generic (MHW/Columbia) See CCS4400/ 4401 and MHW4402 for Mt Hardware for instructions		1 ea	0.0	0	Artwork	Artwork	Artwork	Artwork	Artwork

This is confidential and proprietary information of Columbia Sportswear Company. You agree that you will not disclose this information to any third party or use it for any purpose other than on behalf of Columbia. You have no right to use Columbia's name or any of its trademarks, trade names, copyrights, patents, designs or other intellectual property except as set forth in writing by Columbia.

## Colorless BOM

Line Slot: Ascender II HDD      State: Production      Season: F25  
 Merchandise Division: Outerwear      Merchandise Collection: Trail      Product Class: Soft Shell Tops  
 Designer: dmaquire      Developer: alicehan      LO Developer: keerthis      Sourcing Manager: melissa.gallagher  
 Fit Engineer: alicehan

Design: F4MO20904      Sample LO: 5      Production LO: India

Style	Material Style	Style Description	Pattern	Base Size	Size Scale	Fit	SMU Type
WM5779	2090451	Ascender™ II Hooded Softshell Jacket	L14M2016	M	S - XXL	Regular	N/A



Component	Details	Placement	Usage	Width	Marker Width
<b>SAP Material Code</b>					
Shell 1	121277 PFC FREE Version of 032888 - Nexgen Contour Softshell Composite 100% Polyester 100% Polyester 156X132 75 X75 Durable Water Repellent (80/10HL) C0 PFOA/PFOS Free MaterialCoatingNone Adhesive - Dot Matrix 310.0 g/m2 Piece Dye/Jet and Jig NA		1.58 yd	55.0	55
Shell 2	119358 PFC Free Version of 064235 Nexgen Precision and Contour Softshell Face Only Twill 100% Polyester 160 X 136 75D/72F X 75D/72F MaterialFinishNone, Durable Water Repellent (80/10HL) C0 PFOA/PFOS Free MaterialCoatingNone MaterialLaminateNone 119.0 g/m2 Piece Dye/Jet NA		0.2 yd	58.0	58
Lining 1	004476 FOR POCKETING AND YOUTH STYLES ONLY Chamois Touch Tricot Tricot 100% Polyester 28 Anti-pill (face), Brushed (Tech Face) 80.0 g/m2 Piece Dye/Jet NA		0.23 yd	60.0	60
Interfacing 1	011958 Interlining Sew-In Non-Woven Lightweight Soft. Recycled version 110671 Interlining 80% Polyester, 20% Viscose 29.0 g/m2		0.11 yd	60.0	60
Bead 1	011001 3mm (fits single dc size 3mm) Small Hard TPU Cordlock Stopper 1 clr CANNOT BE DONE IN CLEAR COLOR White color may have a yellowing issue		1 ea	0.0	0
Direct Embroidery 1	003472 76mm (A) Bug Columbia Logo embroidery 1 clr. Est st ct 1795 Height: 14.0		1 ea	0.0	0
Drawcord-Cording-Laces 1	005952 2mm Stretch Strong Drawcord 1 clr		1.371 yd	0.0	0
Drawcord-Cording-Laces 2	008166 1.5mm non stretch drawcord w/ticks 2 clr (ECO version use 082935)		0.816 yd	0.0	0
Eyelets-Grommets 1	026906 SAME AS 420024 6mm ID Metal Finish Eyelet 1 clr finish. Use 059588 for enamel DTM color.		1 set	0.0	0

## Colorless BOM

Line Slot: Ascender II HDD	State: Production	Season: F25
Merchandise Division: Outerwear	Merchandise Collection: Trail	Product Class: Soft Shell Tops
Designer: dmaquire	Developer: alicehan	LO Developer: keerthis
Fit Engineer: alicehan	Sourcing Manager: melissa.gallagher	
Design: F4MO20904 5	Sample LO:	Production India
Style: WM5779	Material Style: 2090451	Style Description: Ascender™ II Hooded Softshell Jacket
	Pattern: L14M2016	Base Size: M
		Size Scale: S - XXL
		Fit: Regular
		SMU Type: N/A



Component	Details	Placement	Usage	Width	Marker Width
<b>SAP Material Code</b>					
Hook 1	460003 3/4in (20mm) Linear Hook/ two side edge 1clr Width: 19.0		0.114 yd	0.0	0
Hook 2	460003 3/4in (20mm) Linear Hook/ two side edge 1clr Width: 19.0		0.059 yd	0.0	0
Label Logo 1	059197 USE ONLY FOR ALL ADULT sizes AND YOUTH S-XL 42mm x 8mm Lightweight Stripe woven ECO Hanger Loop DOWN 2 clr other colors w Director approval only		1 ea	0.0	0
Loop 1	460004 3/4in (20mm) Linear Loop/two side edge 1clr Width: 19.0		0.26 yd	0.0	0
Loop 2	460004 3/4in (20mm) Linear Loop/two side edge 1clr Width: 19.0		0.103 yd	0.0	0
Thread 1	110529 Coats Astra EV spun Polyester Tex 30	10/09/2020: updated per LOM (BM) from 060282 Coats Epic Tex 30 thread. Agreed due to this is not a seal sealed style.	75 meter	0.0	0
Thread 2	008214 Coats ASTRA Spun Polyester Tex 27 40/2		575 meter	0.0	0
Toggle 1	031940 4.5mm ID Toggle		1 ea	0.0	0
Washer 1	002614 Plastic Washer (Polyurethane) (use on all Snap Stud and Post or Eyelets if needed) Clear CAN BE USED FOR YOUTH		2 ea	0.0	0
Webbing and Tape 1	360027 3/8 in Grosgrain Tape Poly 1 clr Width: 9.5		0.066 yd	0.0	0
Zipper 1	002673 CNFOL-56 DA8BLH H3 P-TOP REVERSE OpenEnd Left-in AutoLk LargeHole AntSilver Sldr/PI PlasticTopStop RevCoil CAN BE USED FOR CHILDREN Metal content Length: 8.0		1 ea	0.0	0
Zipper 2	003272 CNFC-56 DA8BLH H3 T-B-0 REVERSE Clsd AutoLk LargeHole PI AntSil Sldr/PI NoStop RevCoil Metal content Length: 4.0		2 ea	0.0	0
Zipper 3	003272 CNFC-56 DA8BLH H3 T-B-0 REVERSE Clsd AutoLk LargeHole PI AntSil Sldr/PI NoStop RevCoil Metal content Length: 4.0		1 ea	0.0	0
Label 1	059200 40mm CSC International Size Extended Woven ECO Loop Label for use with Hanger Loop		1 ea	0.0	0
Label 2	006564 33mm Care Content ECO Booklet Fold label with fully translated country of origin WHT/BLK for most, BLK/WHT for Titanium only, GRY/BLK is for Garment DYE ONLY- waiting on updated artwork		1 ea	0.0	0

### Colorless BOM



Line Slot: Ascender II HDD      State: Production      Season: F25

Merchandise Division: Outerwear      Merchandise Collection: Trail      Product Class: Soft Shell Tops

Designer: dmaquire      Developer: alicehan      LO Developer: keerthis      Sourcing Manager: melissa.gallagher

Fit Engineer: alicehan

Design: F4MO20904      Sample LO: 5      Production LO: India

Style	Material Style	Style Description	Pattern	Base Size	Size Scale	Fit	SMU Type
WM5779	2090451	Ascender™ II Hooded Softshell Jacket	L14M2016	M	S - XXL	Regular	N/A

Component	Details	Placement	Usage	Width	Marker Width
<b>SAP Material Code</b>					
Hangtag Package Part	121612 MSRP/UPC with RFID Specs for MSRP. Please refer to VAS specs for any exceptions. MSRP required on all product shipping to the US.		1 ea	0.0	0
Hangtag Package Part	097038 Columbia Omni-Shield Hangtag		1 ea	0.0	0
Hangtag Package Part	126967 Regular Fit Swing Tag		1 ea	0.0	0
Packaging 1	064194 Outer Carton for costing purpose only		1 ea	0.0	0
Packaging 2	980001 Polybag See Standard CCS 4200 for specifications		1 ea	0.0	0
Packaging 3	980010 UPC Bag Sticker Generic (MHW/Columbia) See CCS4400/ 4401 and MHW4402 for Mt Hardware for instructions		1 ea	0.0	0

This is confidential and proprietary information of Columbia Sportswear Company. You agree that you will not disclose this information to any third party or use it for any purpose other than on behalf of Columbia. You have no right to use Columbia's name or any of its trademarks, trade names, copyrights, patents, designs or other intellectual property except as set forth in writing by Columbia.

## Color Specification

Line Slot: Ascender II HDD	State: Production	Season: F25	
Merchandise Division: Outerwear	Merchandise Collection: Trail	Product Class: Soft Shell Tops	
Designer: dmaquire	Developer: alicehan	LO Developer: keerthis	Sourcing Manager: melissa.gallagher
Fit Engineer: alicehan			
Design: F4MO209045	Sample LO:	Production LO: India	
Style: WM5779	Material Style: 2090451	Style Description: Ascender™ II Hooded Softshell Jacket	Pattern: L14M2016
		Base Size: M	Size Scale: S - XXL
		Fit: Regular	SMU Type: N/A



Component - Material	010-Black	023-City Grey	256-Tobacco	397-Stone Green	464-Collegiate Navy
Shell 1 - 121277	Black, Black	City Grey, City Grey	Tobacco, Tobacco	Stone Green, Stone Green	Collegiate Navy, Collegiate Navy
Shell 2 - 119358	Black	City Grey	Tobacco	Stone Green	Collegiate Navy
Drawcord-Cording-Laces 1 - 005952					
Hook 1 - 460003					
Hook 2 - 460003					
Loop 1 - 460004					
Loop 2 - 460004					
Zipper 1 - 002673					
Zipper 2 - 003272					
Zipper 3 - 003272					
Lining 1 - 004476	Black	Shark	Tobacco	Black	Collegiate Navy
Interfacing 1 - 011958	White	White	White	White	White
Bead 1 - 011001	Black	Grill	Black	Black	Collegiate Navy
Toggle 1 - 031940					
Webbing and Tape 1 - 360027					
Direct Embroidery 1 - 003472	Columbia Grey	Columbia Grey	Columbia Grey	Black	Columbia Grey
Drawcord-Cording-Laces 2 - 008166	Black, Grill	Grill, Columbia Grey	Black, Grill	Black, Grill	Collegiate Navy, Columbia Grey
Eyelets-Grommets 1 - 026906	Black Nickel Finish	Black Nickel Finish	Black Nickel Finish	Black Nickel Finish	Black Nickel Finish
Label Logo 1 - 059197	Columbia Grey, Grill	Columbia Grey, Grill	Columbia Grey, Grill	Columbia Grey, Grill	Columbia Grey, Grill
Thread 1 - 110529	DTM	DTM	DTM	DTM	DTM
Thread 2 - 008214					
Washer 1 - 002614	Clear	Clear	Clear	Clear	Clear
Label 1 - 059200	White, Columbia Grey, Compass Blue	White, Columbia Grey, Compass Blue	White, Columbia Grey, Compass Blue	White, Columbia Grey, Compass Blue	White, Columbia Grey, Compass Blue
Label 2 - 006564	White, Black	White, Black	White, Black	White, Black	White, Black
Hangtag Package Part - 121612	Artwork	Artwork	Artwork	Artwork	Artwork
Hangtag Package Part - 097038					
Hangtag Package Part - 126967					
Packaging 3 - 980010					
Packaging 1 - 064194	Stock	Stock	Stock	Stock	Stock
Packaging 2 - 980001					

This is confidential and proprietary information of Columbia Sportswear Company. You agree that you will not disclose this information to any third party or use it for any purpose other than on behalf of Columbia. You have no right to use Columbia's name or any of its trademarks, trade names, copyrights, patents, designs or other intellectual property except as set forth in writing by Columbia.



### Costing BOM

Line Slot: Ascender II HDD      State: Production      Season: F25  
 Merchandise Division: Outerwear      Merchandise Collection: Trail      Product Class: Soft Shell Tops  
 Designer: dmaguire      Developer: alicehan      LO Developer: keerthis      Sourcing Manager: melissa.gallagher  
 Fit Engineer: alicehan

Design: F4MO209045      Sample LO:      Production LO: India  
 Style Material Style Style Description Pattern Base Size Size Scale Fit SMU Type  
 WM5779 2090451 Ascender™ II Hooded Softshell Jacket L14M2016 M S - XXL Regular N/A



Colorway Number	Color Way	FOB Material	CIF Material	FOB Trim	CIF Trim	Allowance %	Total FOB	Total CIF
010	Black	7.712	0.000	1.839	0.000	0.0	9.551	0.000
023	City Grey	7.712	0.000	1.839	0.000	0.0	9.551	0.000
256	Tobacco	7.712	0.000	1.839	0.000	0.0	9.551	0.000
397	Stone Green	7.712	0.000	1.839	0.000	0.0	9.551	0.000
464	Collegiate Navy	7.712	0.000	1.839	0.000	0.0	9.551	0.000

### Costing BOM

Line Slot: Ascender II HDD		State: Production		Season: F25			
Merchandise Division: Outerwear	Merchandise Collection: Trail	Product Class: Soft Shell Tops					
Designer: dmaguire	Developer: alicehan	LO Developer: keerthis		Sourcing Manager: melissa.gallagher			
Fit Engineer: alicehan							
Design: F4MO209045	Sample LO:	Production LO: India					
Style WM5779	Material Style 2090451	Style Description Ascender™ II Hooded Softshell Jacket	Pattern L14M2016	Base Size M	Size Scale S - XXL	Fit Regular	SMU Type N/A



Component	Material	Description	Fabric Width	Supplier	Locked	Country of Origin	Managin g Liaison Office	UoM	Target Cost	FOB Unit Cost	CIF Unit Cost	Usage	Wastage %	Total FOB	Total CIF
Shell 1	121277	PFC FREE Version of 032888 - Nexgen Contour Softshell	55.0	Jiaxing Deyong Textiles Co Ltd (JDT)	N	China	Taiwan- Taipei	yd	4.5	4.37	<b>0.0</b>	1.580	3	7.112	<b>0.000</b>
Shell 2	119358	PFC Free Version of 064235 Nexgen Precision and Contour Softshell Face Only	58.0	Apex Textile Co. Ltd.	N	China	Taiwan- Taipei	yd	0.0	1.94	<b>0.0</b>	0.200	5	0.407	<b>0.000</b>
Lining 1	004476	FOR POCKETING AND YOUTH STYLES ONLY Chamois Touch Tricot	60.0	Haren Textiles Pvt. Ltd.	Y	India	India	yd	0.0	0.68	<b>0.0</b>	0.230	7	0.167	<b>0.000</b>

### Costing BOM

Line Slot: Ascender II HDD		State: Production		Season: F25			
Merchandise Division: Outerwear	Merchandise Collection: Trail	Product Class: Soft Shell Tops		Sourcing Manager: melissa.gallagher			
Designer: dmaguire	Developer: alicehan	LO Developer: keerthis					
Fit Engineer: alicehan							
Design: F4MO209045	Sample LO:	Production LO: India					
Style WM5779	Material Style 2090451	Style Description Ascender™ II Hooded Softshell Jacket	Pattern L14M2016	Base Size M	Size Scale S - XXL	Fit Regular	SMU Type N/A



Component	Material	Description	Fabric Width	Supplier	Locked	Country of Origin	Managing Liaison Office	UoM	Target Cost	FOB Unit Cost	CIF Unit Cost	Usage	Wastage %	Total FOB	Total CIF
Interfacing 1	011958	Interlining Sew-In Non-Woven Lightweight Soft. Recycled version 110671	60.0	PCC asia LLC	N	China	India	yd	0.0	0.23	0.0	0.110	3	0.026	0.000
Bead 1	011001	3mm (fits single dc size 3mm) Small Hard TPU Cordlock Stopper 1 clr CANNOT BE DONE IN CLEAR COLOR White color may have a yellowing issue	0.0	FGV - Shahi Exports Pvt. (SEP) Ltd.	Y	India	India	ea	0.0	0.027	0.0	1.000	2.0	0.028	0.000
Direct Embroidery 1	003472	76mm (A) Bug Columbia Logo embroidery 1 clr. Est st ct 1795	0.0	Contractor	N	unassigned	Hong Kong	ea	0.0	0.0	0.0	1.000	2.0	0.000	0.000

### Costing BOM

Line Slot: Ascender II HDD		State: Production		Season: F25			
Merchandise Division: Outerwear	Merchandise Collection: Trail	Product Class: Soft Shell Tops					
Designer: dmaguire	Developer: alicehan	LO Developer: keerthis		Sourcing Manager: melissa.gallagher			
Fit Engineer: alicehan							
Design: F4MO209045	Sample LO:	Production LO: India					
Style WM5779	Material Style 2090451	Style Description Ascender™ II Hooded Softshell Jacket	Pattern L14M2016	Base Size M	Size Scale S - XXL	Fit Regular	SMU Type N/A



Component	Material	Description	Fabric Width	Supplier	Locked	Country of Origin	Managing Liaison Office	UoM	Target Cost	FOB Unit Cost	CIF Unit Cost	Usage	Wastage %	Total FOB	Total CIF
Drawcord-Cording-Laces 1	005952	2mm Stretch Strong Drawcord 1 clr	0.0	FGV - Shahi Exports Pvt. (SEP) Ltd.	Y	India	India	yd	0.0	0.061	0.0	1.371	7.0	0.089	0.000
Drawcord-Cording-Laces 2	008166	1.5mm non stretch drawcord w/ticks 2 clr (ECO version use 082935)	0.0	FGV - Shahi Exports Pvt. (SEP) Ltd.	Y	India	India	yd	0.0	0.045	0.0	0.816	7.0	0.039	0.000
Eyelets-Grommets 1	026906	SAME AS 420024 6mm ID Metal Finish Eyelet 1 clr finish. Use 059588 for enamel DTM color.	0.0	Unitex International Button Accessories Ltd	N	China	Portland	set	0.01	0.0129	0.0	1.000	3.0	0.013	0.000

### Costing BOM

Line Slot: Ascender II HDD		State: Production		Season: F25			
Merchandise Division: Outerwear	Merchandise Collection: Trail	Product Class: Soft Shell Tops					
Designer: dmaguire	Developer: alicehan	LO Developer: keerthis		Sourcing Manager: melissa.gallagher			
Fit Engineer: alicehan							
Design: F4MO209045	Sample LO:	Production LO: India					
Style WM5779	Material Style 2090451	Style Description Ascender™ II Hooded Softshell Jacket	Pattern L14M2016	Base Size M	Size Scale S - XXL	Fit Regular	SMU Type N/A



Component	Material	Description	Fabric Width	Supplier	Locked	Country of Origin	Managing Liaison Office	UoM	Target Cost	FOB Unit Cost	CIF Unit Cost	Usage	Wastage %	Total FOB	Total CIF
Hook 1	460003	3/4in (20mm) Linear Hook/ two side edge 1clr	0.0	Paiho Global	N	Taiwan	Taiwan-Taipei	yd	0.0	0.153	0.0	0.114	5.0	0.018	0.000
Hook 2	460003	3/4in (20mm) Linear Hook/ two side edge 1clr	0.0	Paiho Global	N	Taiwan	Taiwan-Taipei	yd	0.0	0.153	0.0	0.059	5.0	0.009	0.000
Label Logo 1	059197	USE ONLY FOR ALL ADULTSIZES AND YOUTH S-XL 42mm x 8mm Lightweight Stripe woven ECO Hanger Loop DOWN 2 clr other colors w Director approval only	0.0	Avery Dennison Global	N	China	Portland	ea	0.0	0.024	0.0	1.000	5.0	0.025	0.000
Loop 1	460004	3/4in (20mm) Linear Loop/two side edge 1clr	0.0	Paiho Global	N	Taiwan	Taiwan-Taipei	yd	0.0	0.153	0.0	0.260	5.0	0.042	0.000

### Costing BOM

Line Slot: Ascender II HDD		State: Production		Season: F25			
Merchandise Division: Outerwear		Merchandise Collection: Trail		Product Class: Soft Shell Tops			
Designer: dmaguire		Developer: alicehan		LO Developer: keerthis			
Fit Engineer: alicehan				Sourcing Manager: melissa.gallagher			
Design:	F4MO209045	Sample LO:		Production LO:	India		
Style	Material Style	Style Description	Pattern	Base Size	Size Scale	Fit	SMU Type
WM5779	2090451	Ascender™ II Hooded Softshell Jacket	L14M2016	M	S - XXL	Regular	N/A



Component	Material	Description	Fabric Width	Supplier	Locked	Country of Origin	Managing Liaison Office	UoM	Target Cost	FOB Unit Cost	CIF Unit Cost	Usage	Wastage %	Total FOB	Total CIF
Loop 2	460004	3/4in (20mm) Linear Loop/two side edge 1clr	0.0	Paiho Global	N	Taiwan	Taiwan-Taipei	yd	0.0	0.153	0.0	0.103	5.0	0.017	0.000
Thread 1	110529	Coats Astra EV spun Polyester Tex 30	0.0	Coats Global Thread	N	unassigned	Portland	meter	0.0	0.00048	0.0	75.000	5.0	0.038	0.000
Thread 2	008214	Coats ASTRA Spun Polyester Tex 27 40/2	0.0	Coats Global Thread	N	unassigned	Portland	meter	0.0	0.0003	0.0	575.000	5.0	0.181	0.000
Toggle 1	031940	4.5mm ID Toggle	0.0	FGV - Shahi Exports Pvt. (SEP) Ltd.	Y	unassigned	India	ea	0.0	0.066	0.0	1.000	2.0	0.067	0.000

### Costing BOM

Line Slot: Ascender II HDD      State: Production      Season: F25  
 Merchandise Division: Outerwear      Merchandise Collection: Trail      Product Class: Soft Shell Tops  
 Designer: dmaguire      Developer: alicehan      LO Developer: keerthis      Sourcing Manager: melissa.gallagher  
 Fit Engineer: alicehan

Design: F4MO209045      Sample LO:      Production LO: India  
 Style: Material Style      Style Description      Pattern      Base Size      Size Scale      Fit      SMU Type  
 WM5779      2090451      Ascender™ II Hooded Softshell Jacket      L14M2016      M      S - XXL      Regular      N/A



Component	Material	Description	Fabric Width	Supplier	Locked	Country of Origin	Managin g Liaison Office	UoM	Target Cost	FOB Unit Cost	CIF Unit Cost	Usage	Wastage %	Total FOB	Total CIF
Washer 1	002614	Plastic Washer (Polyurethane) (use on all Snap Stud and Post or Eyelets if needed) Clear CAN BE USED FOR YOUTH	0.0	Unitex International Button Accessories Ltd	N	China	Portland	ea	0.0	0.00559	0.0	2.000	3.0	0.012	0.000
Webbing and Tape 1	360027	3/8 in Grosgrain Tape Poly 1 clr	0.0	FGV - Shahi Exports Pvt. (SEP) Ltd.	Y	India	India	yd	0.0	0.059	0.0	0.066	7.0	0.004	0.000

### Costing BOM

Line Slot: Ascender II HDD		State: Production		Season: F25			
Merchandise Division: Outerwear	Merchandise Collection: Trail	Product Class: Soft Shell Tops		Sourcing Manager: melissa.gallagher			
Designer: dmaguire	Developer: alicehan	LO Developer: keerthis					
Fit Engineer: alicehan							
Design: F4MO209045	Sample LO:	Production LO: India					
Style WM5779	Material Style 2090451	Style Description Ascender™ II Hooded Softshell Jacket	Pattern L14M2016	Base Size M	Size Scale S - XXL	Fit Regular	SMU Type N/A



Component	Material	Description	Fabric Width	Supplier	Locked	Country of Origin	Managing Liaison Office	UoM	Target Cost	FOB Unit Cost	CIF Unit Cost	Usage	Wastage %	Total FOB	Total CIF
Zipper 1	002673	CNFOL-56 DA8BLH H3 P- TOP REVERSE OpenEnd Left-in AutoLk LargeHole AntSilver Sldr/PI PlasticTopStop RevCoil CAN BE USED FOR CHILDREN Metal content	0.0	YKK Global	N	Taiwan	Portland	ea	0.0	0.2745	0.0	1.000	1.0	0.405	0.000
Zipper 2	003272	CNFC-56 DA8BLH H3 T-B- 0 REVERSE Clsd AutoLk LargeHole PI AntSil Sldr/PI NoStop RevCoil Metal content	0.0	YKK Global	N	Taiwan	Portland	ea	0.0	0.1963	0.0	2.000	1.0	0.456	0.000



### Costing BOM

Line Slot: Ascender II HDD		State: Production		Season: F25			
Merchandise Division: Outerwear	Merchandise Collection: Trail	Product Class: Soft Shell Tops		Sourcing Manager: melissa.gallagher			
Designer: dmaguire	Developer: alicehan	LO Developer: keerthis					
Fit Engineer: alicehan							
Design: F4MO209045	Sample LO:	Production LO: India					
Style WM5779	Material Style 2090451	Style Description Ascender™ II Hooded Softshell Jacket	Pattern L14M2016	Base Size M	Size Scale S - XXL	Fit Regular	SMU Type N/A



Component	Material	Description	Fabric Width	Supplier	Locked	Country of Origin	Managing Liaison Office	UoM	Target Cost	FOB Unit Cost	CIF Unit Cost	Usage	Wastage %	Total FOB	Total CIF
Zipper 3	003272	CNFC-56 DA8BLH H3 T-B-0 REVERSE Clsd AutoLk LargeHole PI AntSil Sldr/PI NoStop RevCoil Metal content	0.0	YKK Global	N	Taiwan	Portland	ea	0.0	0.1963	0.0	1.000	1.0	0.219	0.000
Label 1	059200	40mm CSC International Size Extended Woven ECO Loop Label for use with Hanger Loop	0.0	Manohar Filaments	Y	India	India	ea	0.0	0.0461	0.0	1.000	3.0	0.047	0.000

### Costing BOM

Line Slot: Ascender II HDD      State: Production      Season: F25  
 Merchandise Division: Outerwear      Merchandise Collection: Trail      Product Class: Soft Shell Tops  
 Designer: dmaguire      Developer: alicehan      LO Developer: keerthis      Sourcing Manager: melissa.gallagher  
 Fit Engineer: alicehan

Design: F4MO209045      Sample LO:      Production LO: India  
 Style Material Style Style Description Pattern Base Size Size Scale Fit SMU Type  
 WM5779 2090451 Ascender™ II L14M2016 M S - XXL Regular N/A  
 Hooded Softshell Jacket



Component	Material	Description	Fabric Width	Supplier	Locked	Country of Origin	Managin g Liaison Office	UoM	Target Cost	FOB Unit Cost	CIF Unit Cost	Usage	Wastage %	Total FOB	Total CIF
Label 2	006564	33mm Care Content ECO Booklet Fold label with fully translated country of origin WHT/BLK for most, BLK/WHT for Titanium only, GRY/BLK is for Garment DYE ONLY- waiting on updated artwork	0.0	Avery Dennison Global	N	China	Portland	ea	0.0	0.016	0.0	1.000	3.0	0.016	0.000
Hangtag Package Part	097038	Columbia Omni-Shield Hangtag	0.0	Hang Sang Press Co. Ltd	N	unassigne d	Portland	ea	0.0	0.0273	0.0	1.000	3.0	0.028	0.000

### Costing BOM

Line Slot: Ascender II HDD		State: Production		Season: F25			
Merchandise Division: Outerwear		Merchandise Collection: Trail		Product Class: Soft Shell Tops			
Designer: dmaguire		Developer: alicehan		LO Developer: keerthis			
Fit Engineer: alicehan				Sourcing Manager: melissa.gallagher			
Design:	F4MO209045	Sample LO:		Production LO:	India		
Style	Material Style	Style Description	Pattern	Base Size	Size Scale	Fit	SMU Type
WM5779	2090451	Ascender™ II Hooded Softshell Jacket	L14M2016	M	S - XXL	Regular	N/A



Component	Material	Description	Fabric Width	Supplier	Locked	Country of Origin	Managing Liaison Office	UoM	Target Cost	FOB Unit Cost	CIF Unit Cost	Usage	Wastage %	Total FOB	Total CIF
Hangtag Package Part	126967	Regular Fit Swing Tag	0.0	Hang Sang Press Co. Ltd	N	unassigned	Portland	ea	0.0	0.023	0.0	1.000	3.0	0.024	0.000
Hangtag Package Part	121612	MSRP/UPC with RFID Specs for MSRP. Please refer to VAS specs for any exceptions. MSRP required on all product shipping to the US.	0.0	Avery Dennison Global	N	unassigned	Portland	ea	0.0	0.04875	0.0	1.000	5.0	0.051	0.000
Packaging 1	064194	Outer Carton for costing purpose only	0.0	Contractor	N	unassigned	Hong Kong	ea	0.0	0.0	0.0	1.000	3.0	0.000	0.000
Packaging 2	980001	Polybag See Standard CCS 4200 for specifications	0.0	Contractor	N	unassigned	Hong Kong	ea	0.0	0.0	0.0	1.000	3.0	0.000	0.000

### Costing BOM

Line Slot: Ascender II HDD	State: Production	Season: F25					
Merchandise Division: Outerwear	Merchandise Collection: Trail	Product Class: Soft Shell Tops					
Designer: dmaguire	Developer: alicehan	LO Developer: keerthis	Sourcing Manager: melissa.gallagher				
Fit Engineer: alicehan							
Design: F4MO209045	Sample LO:	Production LO: India					
Style: WM5779	Material Style: 2090451	Style Description: Ascender™ II Hooded Softshell Jacket	Pattern: L14M2016	Base Size: M	Size Scale: S - XXL	Fit: Regular	SMU Type: N/A



Component	Material	Description	Fabric Width	Supplier	Locked	Country of Origin	Managing Liaison Office	UoM	Target Cost	FOB Unit Cost	CIF Unit Cost	Usage	Wastage %	Total FOB	Total CIF
Packaging 3	980010	UPC Bag Sticker Generic (MHW/Columbia) See CCS4400/ 4401 and MHW4402 for Mt Hardware for instructions	0.0	Avery Dennison Global	Y	China	Portland	ea	0.0	0.01089	0.0	1.000	5.0	0.011	0.000

### Costing BOM

Line Slot: Ascender II HDD	State: Production	Season: F25					
Merchandise Division: Outerwear	Merchandise Collection: Trail	Product Class: Soft Shell Tops					
Designer: dmaguire	Developer: alicehan	LO Developer: keerthis					
Fit Engineer: alicehan		Sourcing Manager: melissa.gallagher					
Design: F4MO209045	Sample LO:	Production LO: India					
Style Material Style	Style Description	Pattern	Base Size	Size Scale	Fit	SMU Type	
WM5779	2090451	Ascender™ II Hooded Softshell Jacket	L14M2016	M	S - XXL	Regular	N/A



This is confidential and proprietary information of Columbia Sportswear Company. You agree that you will not disclose this information to any third party or use it for any purpose other than on behalf of Columbia. You have no right to use Columbia's name or any of its trademarks, trade names, copyrights, patents, designs or other intellectual property except as set forth in writing by Columbia.

### Instructions

Line Slot: Ascender II HDD      State: Production      Season: F25

Merchandise Division: Outerwear      Merchandise Collection: Trail      Product Class: Soft Shell Tops

Designer: dmaguire      Developer: alicehan      LO Developer: keerthis      Sourcing Manager: melissa.gallagher

Fit Engineer: alicehan

Design: F4MO20904 5      Sample LO:      Production LO: India

Style	Material Style	Style Description	Pattern	Base Size	Size Scale	Fit	SMU Type
WM5779	2090451	Ascender™ II Hooded Softshell Jacket	L14M2016	M	S - XXL	Regular	N/A



Category	Subcategory	Description	Comments
CONSTRUCTION	2/NEEDLE OVEREDGE	4-SPOOL, 3/8 IN SEAM ALLOWANCE (NO TRIM). 10/12 STITCHES PER INCH FOR OUTERWEAR, HUNTING AND FISHING. APPLY TO ALL SEAMS THAT MAY RAVEL.(ISO#514)	
MISCELLANEOUS	EMBROIDERY	USE LIGHT WEIGHT TEAR AWAY INTERFACING FOR EMBROIDERY BACKING – UP TO 2 LAYERS AS NEEDED FOR REINFORCEMENT PREFERRED VENDOR IS FREUDENBERG ITEM #AO151 BASIC TEAR AWAY BACKING 36g/m2 LIGHT 0.28/m @ 100cm WIDE	
	PHEMOS	MHW 1602 SLIP KNOT TIE METHOD - PLACEMENT:	AS PHEMO; DRAWCORD/CORDING/LACES 2:  (1) CF Zipper, (2) Lower Pocket Zippers, (1) Chest Pocket Zipper
BARTACKS	BARTACK FUNCTIONAL	LENGTH - SIZED TO FIT	(4) CF, (4/2) Cuff Tabs (hidden), (6/2) Pocket Zippers, (1) Hem Toggle tethers

This is confidential and proprietary information of Columbia Sportswear Company. You agree that you will not disclose this information to any third party or use it for any purpose other than on behalf of Columbia. You have no right to use Columbia's name or any of its trademarks, trade names, copyrights, patents, designs or other intellectual property except as set forth in writing by Columbia.

## Care Report

Line Slot: Ascender II HDD		State: Production		Season: F25			
Merchandise Division: Outerwear		Merchandise Collection: Trail		Product Class: Soft Shell Tops			
Designer: dmaguire		Developer: alicehan		LO Developer: keerthis			
Fit Engineer: alicehan				Sourcing Manager: melissa.gallagher			
Design:	F4MO209045	Sample LO:		Production LO:	India		
Style	Material Style	Style Description	Pattern	Base Size	Size Scale	Fit	SMU Type
WM5779	2090451	Ascender™ II Hooded Softshell Jacket	L14M2016	M	S - XXL	Regular	N/A



Care Code: 2012		Color Way Number	Color Way Name
<b>English</b>	Machine Wash Cold, Wash Separately, Do Not Bleach, Tumble Dry Low, Do Not Iron, Do Not Use Fabric Softener, Do Not Dryclean		
<b>French</b>	Lavage machine à froid, Laver séparément, Ne pas utiliser d'eau de javel, Séchage machine, basse température, Ne pas repasser, Ne pas utiliser d'assouplissant, Nettoyage à sec interdit	010	Black
		023	City Grey
<b>German</b>	Maschinenwäsche kalt, Separat waschen, Keine Bleichmittel verwenden, Trocknen im Wäschetrockner bei niedriger Temperatur, Nicht bügeln, Keine Weichspüler verwenden, Nicht chemisch reinigen	256	Tobacco
		397	Stone Green
<b>Portuguese</b>	Lavar à maquina com água fria, Lavar separadamente, Não alvejar, Secar à máquina em temperatura baixa, Não passar a ferro, Não usar amaciante, Não utilizar limpeza a seco	464	Collegiate Navy
<b>Spanish</b>	Lavar a máquina con agua fría, Lavar por separado, No usar lejía, Usar secadora a temperatura baja, No planchar, No usar suavizante de telas, No lavar en seco		
<b>Italian</b>	Lavare in lavatrice in acqua fredda, Lavare separatamente, Non candeggiare, Asciugare a tamburo a bassa temperatura, Non stirare, Non utilizzare ammorbidente, Non lavare a secco		
<b>Russian</b>	Машинная стирка в холодной воде, Стирать отдельно, Не отбеливать, Сушить при низкой температуре, Не гладить, Не использовать кондиционер для тканей, Химчистка запрещена		
<b>Czech Republican</b>	Praní v pračce při nízké teplotě, Prát samostatně, Nebělit, Sušení v sušičce, nízká teplota, Nežehlit, Nepoužívat aviváž, Nečistit chemicky		
<b>Hebrew</b>	כביסה במכונה במים קרים, לכבס בנפרד, לא להלבין, לייבש במיבש כביסה בחום נמוך, לא לגהץ, לא להשתמש במרכך כביסה, לא לנקות בניקוי יבש		
<b>Hungarian</b>	Géppel mossa, hideg vízzel, Különválasztva mossa, Ne használjon fehérítőt, Szárítógépben alacsony hőfokon szárítsa, Ne vasalja, Ne használjon öblítőszeret, Ne vegytisztítsa		
<b>Polish</b>	Prac w temperaturze nie przekraczającej 30°C, Prac oddzielnie, Nie chlorować, Można suszyć bębnowo, niska temperatura, Nie prasować, Nie używać zmiękczacza do tkanin, Nie czyścić chemicznie		
<b>Portuguese Brazil</b>	Lavar à maquina com água fria, Lavar separadamente, Não alvejar, Secar em tambor rotativo em temperatura baixa, Não passar a ferro, Não usar amaciante, Não utilizar limpeza a seco		
<b>Slovakian</b>	Perte v pračce v studenej vode, Perte oddelene, Neodfarbuje, Sušte v bubnovej sušičke pri nízkych otáčkach, Nežehlite, Nepoužívajte avivážne prípravky, Nečistite chemicky		
<b>Slovenian</b>	Mrzlo strojno pranje, Prati posebej, Ne belite, Nizko strojno sušenje, Ne likati, Ne uporabljati mehčalca, Ne suho čistiti		
<b>Spanish Latin American</b>	Lavar a máquina con agua fría, Lavar por separado, No usar blanqueador, Usar secadora a temperatura baja, No planchar, No usar suavizante de telas, No lavar en seco		
<b>Turkish</b>	Makinada Yıkanır, Soğuk, Ayrı Yıkayın, Ağartıcı Kullanmayın, Tambur Kurutma, Düşük, Ütölemeyin, Çamaşır Yumuşatıcısı Kullanmayın, Kuru Temizleme Yapmayın		
<b>Chinese Simplified</b>	冷水机洗, 分开洗涤, 请勿漂白, 低温滚筒烘干, 请勿熨烫, 请勿使用织物柔软剂, 请勿干洗		
<b>Chinese Traditional</b>	冷水機洗, 分開洗滌, 請勿漂白, 低溫滾筒烘乾, 請勿熨燙, 請勿使用織物柔軟劑, 請勿乾洗		
<b>Japanese</b>	洗濯機水洗い, 個別に洗濯してください, 漂白剤使用不可, 乾燥機使用可 (低温), アイロン使用不可, 柔軟剤の使用不可, ドライクリーニング不可		
<b>Korean</b>	가, 가, 가,		
<b>Danish</b>	Kold maskinvask, Vask separat, Må ikke afbleges, Tør i tørretumbler, lav, Brug ikke strygejern, Brug ikke skyllemiddel, Må ikke renses kemisk		
<b>Norwegian</b>	Maskinvask kald, Vaskes separat, Må ikke blekes, Tørketrommel, lav, Skal ikke strykes, Ikke bruk tøymykner, Skal ikke renses		
<b>Swedish</b>	Maskintvättas kallt, Tvättas separat, Får inte blekas, Torktumlas på låg nivå, Får inte strykas, Sköljmedel får inte användas, Kemtvättas inte		
<b>Dutch</b>	Koud wassen in wasmachine, Apart wassen, Niet bleken, In droger op laag, Niet strijken, Geen wasverzachter gebruiken, Niet laten stomen		

### Care Report

Line Slot: Ascender II HDD	State: Production	Season: F25
Merchandise Division: Outerwear	Merchandise Collection: Trail	Product Class: Soft Shell Tops
Designer: dmaguire	Developer: alicehan	LO Developer: keerthis
Fit Engineer: alicehan		Sourcing Manager: melissa.gallagher
Design: F4MO209045	Sample LO:	Production LO: India
Style: WM5779	Material Style: 2090451	Style Description: Ascender™ II Hooded Softshell Jacket
Pattern: L14M2016	Base Size: M	Size Scale: S - XXL
	Fit: Regular	SMU Type: N/A



**French Canadian**

Laver à la machine à l'eau froide, Laver séparément, Ne pas utiliser d'agent de blanchiment, Séchage par culbutage à basse température, Ne pas repasser, Ne pas utiliser d'assouplisseur, Ne pas nettoyer à sec





## Content Report

Line Slot: Ascender II HDD	State: Production	Season: F25					
Merchandise Division: Outerwear	Merchandise Collection: Trail	Product Class: Soft Shell Tops					
Designer: dmaguire	Developer: alicehan	LO Developer: keerthis					
Fit Engineer: alicehan		Sourcing Manager: melissa.gallagher					
Design: F4MO209045	Sample LO:	Production LO: India					
Style: WM5779	Material Style: 2090451	Style Description: Ascender™ II Hooded Softshell Jacket	Pattern: L14M2016	Base Size: M	Size Scale: S - XXL	Fit: Regular	SMU Type: N/A



CONTENT CODE: AIO		Color Way Number	Color Way Name
Shell Face: 100% Polyester			
Shell Back: 100% Polyester Exclusive of Trimming			
FRENCH	Tissu de la partie avant: 100% Polyester Tissu de la partie arrière: 100% Polyester Sauf les bordures	023	City Grey
GERMAN	Außenhülle Vorderteil: 100% Polyester Rückenteil Außenhülle Rückenteil: 100% Polyester Ohne Besatz	010	Black
PORTUGUESE	Exterior anterior: 100% Poliéster Exterior posterior: 100% Poliéster Sem orlas	397	Stone Green
SPANISH	Parte delantera de la cubierta: 100% Poliéster Parte posterior de la cubierta: 100% Poliéster Exclusivo de los ribetes	464	Collegiate Navy
ITALIAN	Parte anteriore guscio: 100% Poliestere Parte posteriore guscio: 100% Poliestere Ad eccezione dei bordini		
RUSSIAN	Оболочка, лицо: 100% Полиэфир Оболочка, изнанка: 100% Полиэфир Без дополнительных деталей		
CZECH REPUBLICAN	Přední dík skořepiny: 100% Polyester Zadní díl skořepiny: 100% Polyester Bez nášivek	256	Tobacco
HEBREW	חזית המעטפת: 100% פוליאסטר גב המעטפת: 100% פוליאסטר ללא קישוט		
HUNGARIAN	Külső elöl: 100% Poliészter Külső hátul: 100% Poliészter Szegélydíszen kívül		
POLISH	Wierzch powłoki: 100% Poliester Spód powłoki: 100% Poliester Wylęczając naszywki		
PORTUGUESE BRAZIL	Exterior anterior: 100% Poliéster Exterior posterior: 100% Poliéster Sem adornos		
SLOVAKIAN	Plášť, predná časť: 100% Polyester Plášť, zadná časť: 100% Polyester Okrem lemovania		
SLOVENIAN	Lice lupine: 100% Poliester Hrbet lupine: 100% Poliester Brez obrezovanja		
SPANISH LATIN AMERICAN	Parte delantera de la cubierta: 100% Poliéster Parte posterior de la cubierta: 100% Poliéster Exclusivo de los ribetes		
TURKISH	Kabuk Ön: 100% Polyester Kabuk Arka: 100% Polyester Süsler Hariç		

## Content Report

Line Slot: Ascender II HDD		State: Production		Season: F25			
Merchandise Division: Outerwear	Merchandise Collection: Trail	Product Class: Soft Shell Tops					
Designer: dmaguire	Developer: alicehan	LO Developer: keerthis		Sourcing Manager: melissa.gallagher			
Fit Engineer: alicehan							
Design:	F4MO209045	Sample LO:	Production LO: India				
Style	Material Style	Style Description	Pattern	Base Size	Size Scale	Fit	SMU Type
WM5779	2090451	Ascender™ II Hooded Softshell Jacket	L14M2016	M	S - XXL	Regular	N/A



<b>CHINESE SIMPLIFIED</b>	<b>外壳正面:</b> <b>外壳背面:</b>	<b>100% 聚酯</b> <b>100% 聚酯 不包括装饰品</b>
<b>CHINESE TRADITIONAL</b>	<b>外壳正面:</b> <b>外壳背面:</b>	<b>100% 聚酯</b> <b>100% 聚酯 不包括装饰品</b>
<b>JAPANESE</b>	<b>シエル表:</b> <b>シエル裏:</b>	<b>100% ポリエステル</b> <b>100% ポリエステル 装飾品を除く</b>
<b>KOREAN</b>	: :	<b>100%</b> <b>100%</b>
<b>DANISH</b>	<b>Forside af skal:</b> <b>Bagside af skal:</b>	<b>100% Polyester</b> <b>100% Polyester Inkluderer ikke kant</b>
<b>NORWEGIAN</b>	<b>Skall forside:</b> <b>Skall rygg:</b>	<b>100% Polyester</b> <b>100% Polyester Eksklusiv trimming</b>
<b>SWEDISH</b>	<b>Ytterdel främre:</b> <b>Ytterdel bakre:</b>	<b>100% Polyester</b> <b>100% Polyester Utan trimming</b>
<b>DUTCH</b>	<b>Schelp-voorkant:</b> <b>Schelp-achterkant:</b>	<b>100% Polyester</b> <b>100% Polyester Exclusief trimmen</b>
<b>FRENCH CANADIAN</b>	<b>Tissu de la partie avant:</b> <b>Tissu de la partie arrière:</b>	<b>100% Polyester</b> <b>100% Polyester Exclut les bordures</b>

### Pattern Piece Detail



Line Slot: Ascender II HDD		State: Production		Season: F25			
Merchandise Division: Outerwear	Merchandise Collection: Trail	Product Class: Soft Shell Tops					
Designer: dmaguire	Developer: alicehan	LO Developer: keerthis		Sourcing Manager: melissa.gallagher			
Fit Engineer: alicehan							
Design:	F4MO20904 5	Sample LO:	Production LO:	India			
Style	Material Style	Style Description	Pattern	Base Size	Size Scale	Fit	SMU Type
WM5779	2090451	Ascender™ II Hooded Softshell Jacket	L14M2016	M	S - XXL	Regular	N/A

#### L14M2016 -

Component	Quantity	Long Description	Abbreviation	Code
-----------	----------	------------------	--------------	------

This is confidential and proprietary information of Columbia Sportswear Company. You agree that you will not disclose this information to any third party or use it for any purpose other than on behalf of Columbia. You have no right to use Columbia's name or any of its trademarks, trade names, copyrights, patents, designs or other intellectual property except as set forth in writing by Columbia.

### Measurements

Line Slot: Ascender II HDD		State: Production		Season: F25			
Merchandise Division: Outerwear		Merchandise Collection: Trail		Product Class: Soft Shell Tops			
Designer: dmaguire		Developer: alicehan		LO Developer: keerthis			
Fit Engineer: alicehan				Sourcing Manager: melissa.gallagher			
Design:	F4MO209045	Sample LO:		Production LO:	India		
Style	Material Style	Style Description	Pattern	Base Size	Size Scale	Fit	SMU Type
WM5779	2090451	Ascender™ II Hooded Softshell Jacket	L14M2016	M	S - XXL	Regular	N/A



Sort Order		Use	Type	Placement	(+/-)	S	M	L	XL	XXL
Grade Rule: OW Mens Top XXS-6XL (M) - Block: null										
345.0	CHEST (1 inch blw armhole)	QC	Graded		1.0	43.0	<b>46.0</b>	50.0	54.0	58.0
355.0	WAIST (RELAXED)	QC	Graded		1.0	41.0	<b>44.0</b>	48.0	52.0	56.0
364.0	WAIST POSITION (DWN FRM CB)	QC	Varies By Style		0.0	18.25	<b>18.5</b>	18.75	19.0	19.25
369.0	SWEEP (RELAXED)	QC	Graded		1.0	41.0	<b>44.0</b>	48.0	52.0	56.0
375.0	SHOULDER WIDTH (NATURAL SHOULDER)	QC	Graded		0.5	17.0	<b>18.0</b>	19.5	21.0	22.5
378.0	SLEEVE LENGTH (CB)	QC	Graded		0.625	34.0	<b>35.0</b>	36.0	37.0	38.0
381.0	SLEEVE WIDTH (1 inch blw armhole)	QC	Graded		0.5	18.0	<b>18.5</b>	19.0	19.5	20.0
399.0	CUFF (RELAXED)	QC	Graded		0.25	10.5	<b>10.75</b>	11.0	11.25	11.5
439.0	CENTER BACK LENGTH (1in GROUP GRADE)	QC	Graded		0.5	27.5	<b>27.5</b>	28.5	28.5	29.5
478.0	NECK CIRCUMFERENCE	QC	Graded		0.25	19.75	<b>20.75</b>	21.75	22.75	23.75
509.0	HOOD HEIGHT	QC	Graded		0.25	13.75	<b>14.0</b>	14.25	14.5	14.75
510.0	HOOD WIDTH(HALF MEAS)	QC	Graded		0.25	9.75	<b>10.0</b>	10.25	10.5	10.75
513.0	HOOD TIP HEIGHT		Graded		0.125	3.5	<b>3.5</b>	3.5	3.5	3.5
2822.0	ELBOW WIDTH - circumference - at mid point of under sleeve seam	QC	Varies By Style		0.25	14.375	<b>14.75</b>	15.125	15.5	15.875
6802.0	FINISHED ZIPPER LENGTH - chest pocket opening		Varies By Style		0.0	6.5	<b>6.5</b>	7.0	7.0	7.5
6830.0	FINISHED ZIPPER LENGTH - lower front pocket opening		Varies By Style		0.0	8.0	<b>8.0</b>	8.5	8.5	9.0

### Measurements

Line Slot: Ascender II HDD		State: Production		Season: F25		
Merchandise Division: Outerwear	Merchandise Collection: Trail	Product Class: Soft Shell Tops		Sourcing Manager: melissa.gallagher		
Designer: dmaguire	Developer: alicehan	LO Developer: keerthis				
Fit Engineer: alicehan						
Design: F4MO209045	Sample LO:	Production LO: India				
Style Material Style	Style Description	Pattern	Base Size	Size Scale	Fit	SMU Type
WM5779 2090451	Ascender™ II Hooded Softshell Jacket	L14M2016	M	S - XXL	Regular	N/A

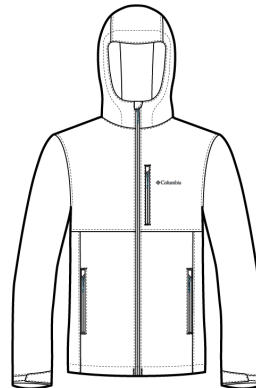


Sort Order		Use	Type	Placement	(+/-)	S	M	L	XL	XXL
930.0	Drawcord-Cording-Laces 1		Component		0.0	45.0	<b>48.0</b>	52.0	56.0	60.0
960.0	Drawcord-Cording-Laces 2		Component		0.0	7.0	<b>7.0</b>	7.0	7.0	7.0
1850.0	Hook 1		Component		0.0	2.0	<b>2.0</b>	2.0	2.0	2.0
1860.0	Hook 2		Component		0.0	2.0	<b>2.0</b>	2.0	2.0	2.0
2190.0	Loop 1		Component		0.0	4.5	<b>4.5</b>	4.5	4.5	4.5
2200.0	Loop 2		Component		0.0	3.5	<b>3.5</b>	3.5	3.5	3.5
3190.0	Webbing and Tape 1		Component		0.0	2.25	<b>2.25</b>	2.25	2.25	2.25
3670.0	Zipper 1		Component		0.0	28.0	<b>28.0</b>	29.0	29.0	30.0
3690.0	Zipper 2		Component		0.0	9.0	<b>9.0</b>	9.5	9.5	10.0
3710.0	Zipper 3		Component		0.0	7.5	<b>7.5</b>	8.0	8.0	8.5

This is confidential and proprietary information of Columbia Sportswear Company. You agree that you will not disclose this information to any third party or use it for any purpose other than on behalf of Columbia. You have no right to use Columbia's name or any of its trademarks, trade names, copyrights, patents, designs or other intellectual property except as set forth in writing by Columbia.

### Thumbnail

Line Slot: Ascender II HDD	State: Production	Season: F25
Merchandise Division: Outerwear	Merchandise Collection: Trail	Product Class: Soft Shell Tops
Designer: dmaguire	Developer: alicehan	LO Developer: keerthis
Fit Engineer: alicehan		Sourcing Manager: melissa.gallagher
Design: F4MO209045	Sample LO:	Production LO: India
Style: WM5779	Material Style: 2090451	Style Description: Ascender™ II Hooded Softshell Jacket
	Pattern: L14M2016	Base Size: M
		Size Scale: S - XXL
		Fit: Regular
		SMU Type: N/A



This is confidential and proprietary information of Columbia Sportswear Company. You agree that you will not disclose this information to any third party or use it for any purpose other than on behalf of Columbia. You have no right to use Columbia's name or any of its trademarks, trade names, copyrights, patents, designs or other intellectual property except as set forth in writing by Columbia.

# 209045 ASCENDER II HDD

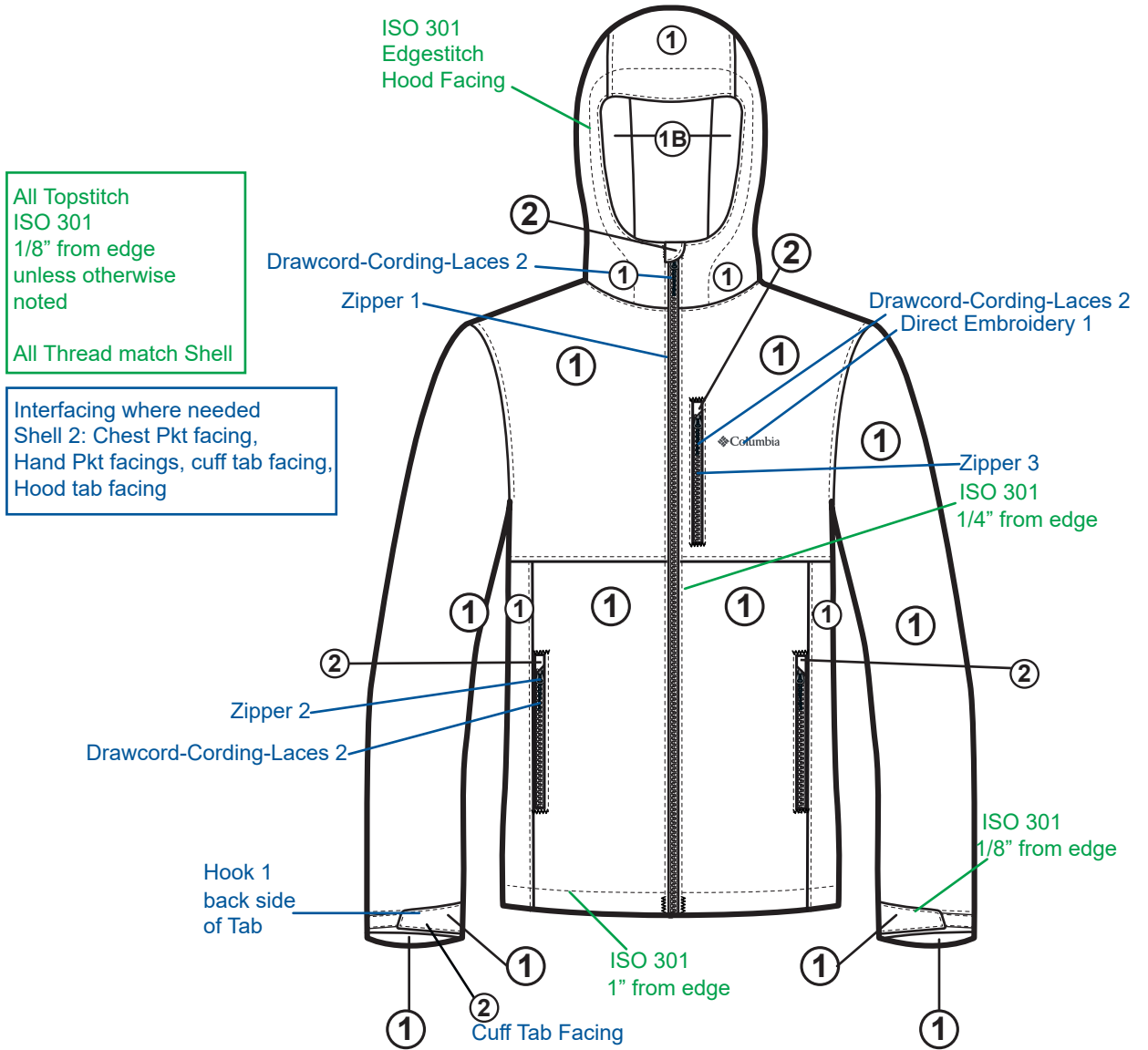
## Technical

Line Slot: Ascender II HDD  
 Merchandise Division: Outerwear  
 Designer: dmaguire  
 Merchandise Collection: Trail  
 Developer: alicehan  
 State: Production  
 Product Class: Soft Shell  
 LO Developer: keerthis  
 Season: F25  
 Sourcing Manager: melissa.gallagher

Fit Engineer: alicehan  
 Design: F4MO20904 5  
 Style: WM5779  
 Material Style: 2090451  
 Sample LO: Ascender™ II Hooded Softshell Jacket  
 Pattern: L14M2016  
 Base Size: M  
 Size Scale: S - XXL  
 Fit: Regular  
 SMU Type: N/A  
 Production LO: India



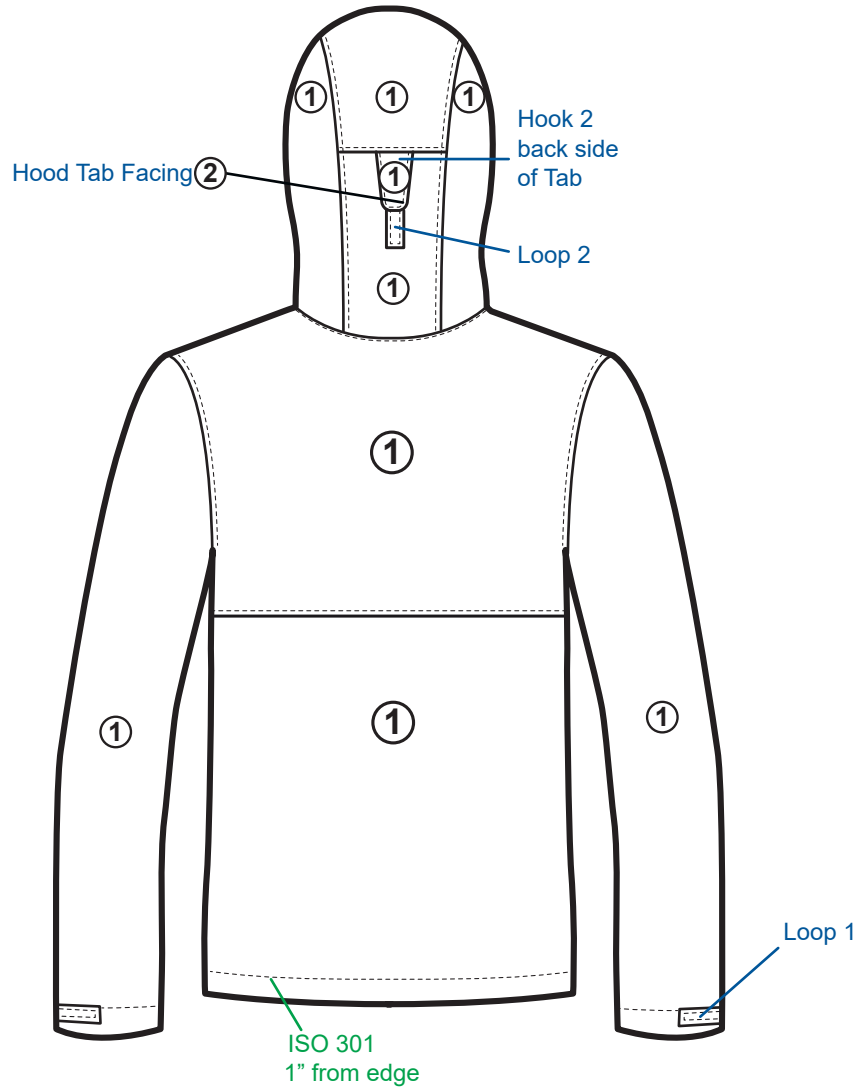
Last Updated: 05.15.23 EW



Technical

Line Slot: Ascender II HDD      State: Production      Season: F25  
 Merchandise Division: Outerwear      Merchandise Collection: Trail      Product Class: Soft Shell Tops  
 Designer: dmaguire      Developer: alicehan      LO Developer: keerthis      Sourcing Manager: melissa.gallagher  
 Fit Engineer: alicehan

Design:	F4MO20904 5	Sample LO:	Production LO:	India			
Style	Material Style	Style Description	Pattern	Base Size	Size Scale	Fit	SMU Type
WM5779	2090451	Ascender™ II Hooded Softshell Jacket	L14M2016	M	S - XXL	Regular	N/A





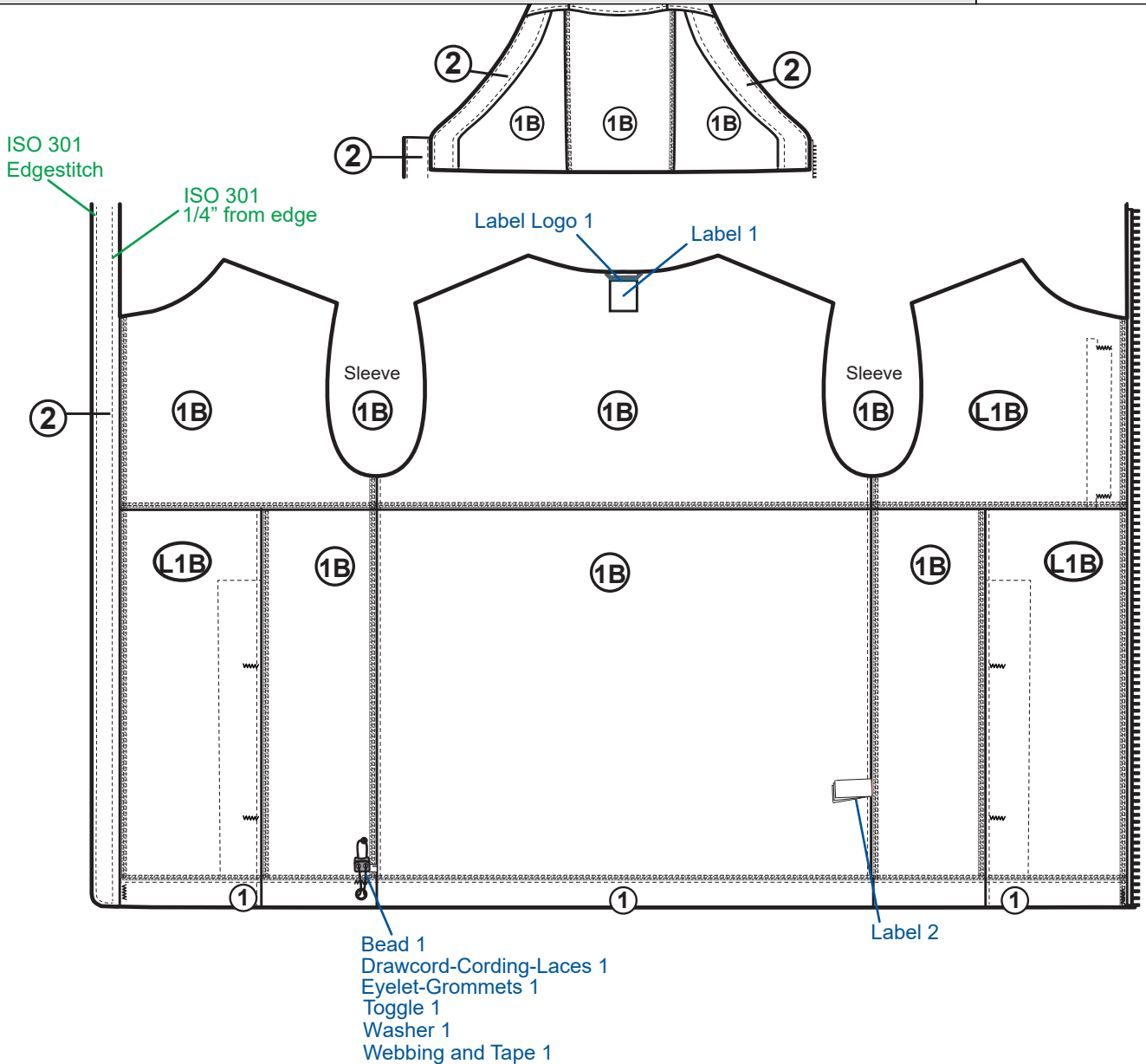
LINING SKETCH

Technical

Line Slot: Ascender II HDD State: Production Season: F25  
 Merchandise Division: Outerwear Merchandise Collection: Trail Product Class: Soft Shell Tops  
 Designer: dmauire Developer: alicehan LO Developer: keerthis Sourcing Manager: melissa.gallagher  
 Fit Engineer: alicehan



Design:	F4MO20904	Sample LO:	5	Production LO:	India		
Style	Material Style	Style Description	Pattern	Base Size	Size Scale	Fit	SMU Type
WM5779	2090451	Ascender™ II Hooded Softshell Jacket	L14M2016	M	S - XXL	Regular	N/A

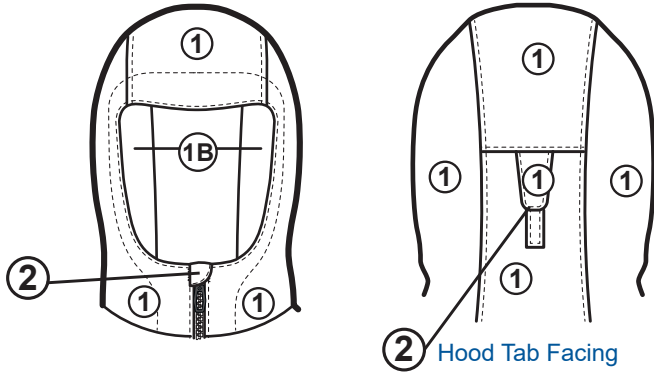


**Technical**

Line Slot: Ascender II HDD		State: Production		Season: F25			
Merchandise Division: Outerwear	Merchandise Collection: Trail	Product Class: Soft Shell Tops					
Designer: dmaguire	Developer: alicehan	LO Developer: keerthis		Sourcing Manager: melissa.gallagher			
Fit Engineer: alicehan							
Design: F4MO20904 5	Sample LO:	Production LO:	India				
Style	Material Style	Style Description	Pattern	Base Size	Size Scale	Fit	SMU Type
WM5779	2090451	Ascender™ II Hooded Softshell Jacket	L14M2016	M	S - XXL	Regular	N/A



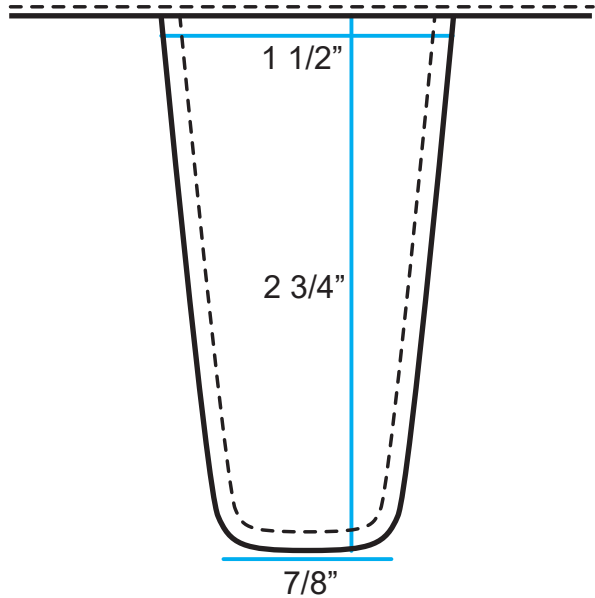
Last



DETAIL:  
Hood dimensions

TO-SCALE DETAIL SKETCHES  
(PLEASE COPY DIRECTLY FOR PATTERN)

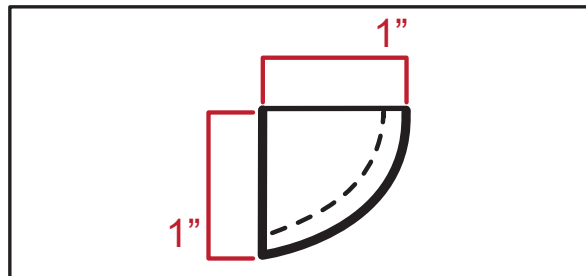
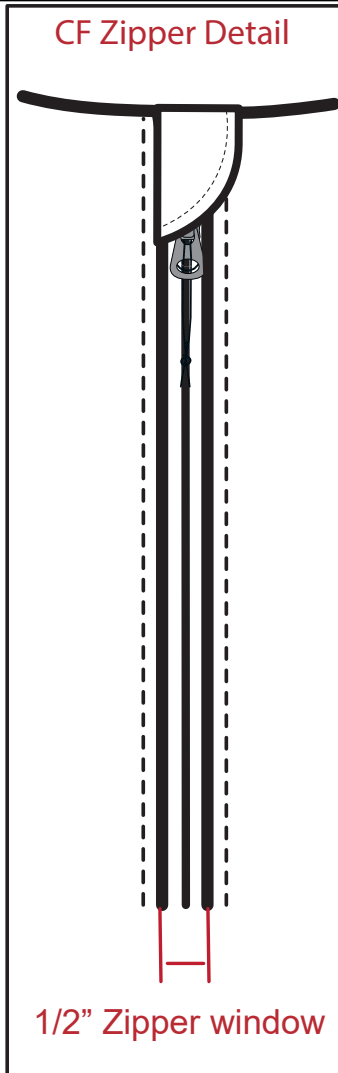
BACK VOLUME TAB



## Technical

Line Slot: Ascender II HDD		State: Production	Season: F25
Merchandise Division: Outerwear	Merchandise Collection: Trail	Product Class: Soft Shell Tops	
Designer: dmaguire	Developer: alicehan	LO Developer: keerthis	Sourcing Manager: melissa.gallagher
Fit Engineer: alicehan			

Design:	F4MO20904 5	Sample LO:		Production LO:	India		
Style	Material Style	Style Description	Pattern	Base Size	Size Scale	Fit	SMU Type
WM5779	2090451	Ascender™ II Hooded Softshell Jacket	L14M2016	M	S - XXL	Regular	N/A



### Technical

Line Slot: Ascender II HDD  
 Merchandise Division: Outerwear  
 Designer: dmaguire  
 Fit Engineer: alicehan

Merchandise Collection: Trail  
 Developer: alicehan

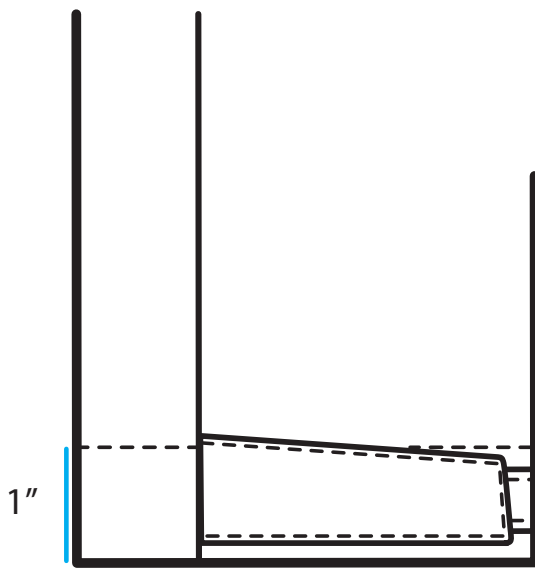
State: Production  
 Product Class: Soft Shell Tops  
 LO Developer: keerthis

Season: F25  
 Sourcing Manager: melissa.gallagher

Design:	F4MO20904 5	Sample LO:		Production LO:	India		
Style	Material Style	Style Description	Pattern	Base Size	Size Scale	Fit	SMU Type
WM5779	2090451	Ascender™ II Hooded Softshell Jacket	L14M2016	M	S - XXL	Regular	N/A

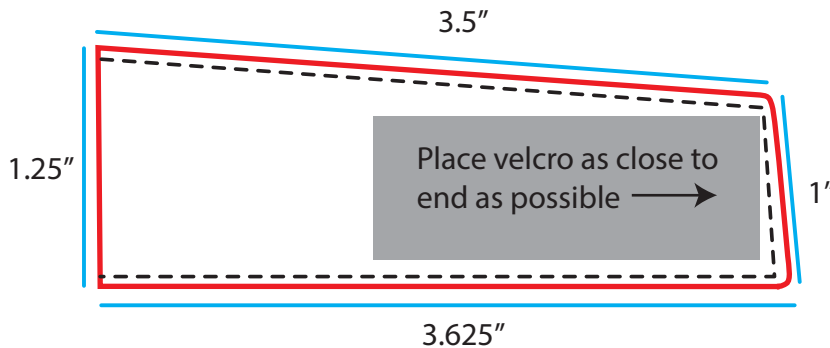


## for SOFT SHELL CUFF TAB



**STITCHED**

- \* Stitched cuff & cuff tab
- \* Strip-cut hook & loop



This is confidential and proprietary information of Columbia Sportswear Company. You agree that you will not disclose this information to any third party or use it for any purpose other than on behalf of Columbia. You have no right to use Columbia's name or any of its trademarks, trade names, copyrights, patents, designs or other intellectual property except as set forth in writing by Columbia.

# Hangtag Package Report

Apparel Style: WM5779

Season: F25

Brand: Columbia

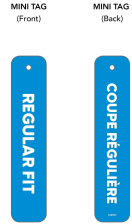
Merchandise Category: Outerwear

Merchandiser: kevin.wonnacott

Line Slot: Ascender II HDD

Sort Order: 0.5 Part: 126967 - Regular Fit Swing Tag  
 Instruction: Swing tag to be placed on top of cover tag on same plastic stringer.

SKU/Version #	Size	Name	Expiry Date
OP1490984	126967	OP1490984_126967_MT_Regular Fit	10-18-23



SKU/Version #	Size	Name	Expiry Date
Process Bar / Process Blue	126967	Process Bar / Process Blue	
275 x 137 / 1085mm x 543mm		ApexCoat Coating, Die Cut, 3mm punch	



Sort Order: 1.0 Part: 097038 - Columbia Omni-Shield Hangtag  
 Instruction: (Tag should be hung with 3" plastic loop stringer through lower left front pocket zipper pull)

SKU/Version #	Size	Name	Expiry Date
OP984986	097038	OP984986_097038_TC_Columbia_OmniShield	01-17-23



SKU/Version #	Size	Name	Expiry Date
4 - Process Blue / Process Blue	126967	4 - Process Blue / Process Blue	
235 x 248 / 938mm x 983mm		ApexCoat Coating, Die Cut, 3mm Punch	



Sort Order: 9.0 Part: 121612 - MSRP/UPC with RFID Specs for MSRP.  
 Please refer to VAS specs for any exceptions. MSRP required on all product shipping to the US.  
 Instruction:

