

**Part Specifications with Approved Suppliers**

Line Slot: Bluefin Winds Camp Shirt State: Production Season: F25  
 Merchandise Division: Sportswear Merchandise Collection: Exclusive Product Class: Woven Tops S/S  
 Designer: blange Developer: ccheng LO Developer: keerthis Sourcing Manager: james.burnett  
 Fit Engineer: ccheng  
 Design: S8MS180430 Sample LO: Production LO: India Vendor Master INDIA Vendor Master INDIA  
 Production LO: Sourcing LO:  
 Style Material Style Style Pattern Base Size Size Scale Fit SMU Type  
 Description  
 XM0692 1804301 Bluefin Winds™ Camp Shirt M18M3034 M XS - XXL Regular Carry Over



Number	Description	UM	Fiber Content	Fiber Content Back	Material Coating	Material Finish (Face)	Material Laminate	Trim Specific	Supplier Art No	Country of Origin	Standard Cost (FOB)	Purchase Cost (CIF)	Product on Lead Time with Greige	Product on Lead Time without Greige
<b>Fabric</b>														
099294	SlackTide doobby UPF 50	yd	100% Polyester	unassigned	MaterialCoatingNone	UV Cut, Wicking	MaterialLaminateNone							
Delicacy Vietnam			Fabric Width: 55.0 in Width Type: cuttable Primary Weight: 76.0 g/m2						C3200356-Q	Vietnam	2.2	0.0	35	55
Haren Textiles Pvt. Ltd.			Fabric Width: 54.0 in Width Type: cuttable Primary Weight: 73.0 g/m2						TBD	India	1.8	0.0	45	60
200001	Mesh-Warp Knit 2mm mesh hole size	yd	100% Polyester	unassigned	MaterialCoatingNone	MaterialFinishNone	MaterialLaminateNone							
Haren Textiles Pvt. Ltd.			Fabric Width: 60.0 in Width Type: cuttable Primary Weight: 65.0 g/m2						200001	India	0.46	0.0	30	45
Huge-Bamboo Enterprise Co., Ltd.			Fabric Width: 60.0 in Width Type: cuttable Primary Weight: 62.0 g/m2						RA145075-1C-5320180	Vietnam	0.46	0.0	30	45
Huge Rock Textile Co., Ltd.			Fabric Width: 60.0 in Width Type: cuttable Primary Weight: 62.0 g/m2						200001	Taiwan	0.59	0.0	60	75
HTT Insprite (Xiamen) Imp & Exp Co. Ltd.			Fabric Width: 60.0 in Width Type: cuttable Primary Weight: 62.0 g/m2						200001	China	0.48	0.0	35	60
055984	Polyester Microfiber Sueded face and back	yd	100% Polyester	unassigned	MaterialCoatingNone	Sanded/Peached (technical back), Sanded/Peached (technical face)	Polyethylene							
Far Eastern Textile Ltd.			Fabric Width: 63.0 in Width Type: cuttable Primary Weight: 147.0 g/m2						PE3E0033-BR01AT	Taiwan	2.3	0.0	45	55
011953	Interlining Non-Woven Fusible Medium Weight for Garment Wash	yd	100% Polyester	unassigned	unassigned	unassigned	unassigned							
Freudenberg-Hong Kong			Fabric Width: 35.0 in Width Type: cuttable Primary Weight: 47.0 g/m2						AP88	Taiwan	0.42	0.0	14	21
MaxBond			Fabric Width: 48.0 in Width Type: cuttable Primary Weight: 47.0 g/m2						UD9937	Vietnam	0.39	0.0	10	20
PCC asia LLC			Fabric Width: 60.0 in Width Type: cuttable Primary Weight: 40.0 g/m2						CL888	China	0.41	0.0	14	21
<b>Trim</b>														
400070	20L 4H Columbia Logo Button or Lt Horn DTM (White is not available)(Call out Light Horn on BOM for Light Horn, undyed)	ea	100% Polyester	unassigned	unassigned	unassigned	unassigned	Size UM: ligne Width: 20.0						
Button International Company									QBZ01	Taiwan	0.0156	0.0149	30	40
Sungbo									SB-400070	South Korea	0.013	0.0	25	30
Gritti Vietnam Co. Ltd.									400070	Vietnam	0.0154	0.0	30	35
M.Y. & UNION INTERNATIONAL /EXPOWORLD BUTTONS (PVT) LTD.									400070	unassigned	0.13	0.0	0	0

**Part Specifications with Approved Suppliers**

Line Slot: Bluefin Winds Camp Shirt State: Production Season: F25  
 Merchandise Division: Sportswear Merchandise Collection: Exclusive Product Class: Woven Tops S/S  
 Designer: blange Developer: ccheng LO Developer: keerthis Sourcing Manager: james.burnett  
 Fit Engineer: ccheng



Design: S8MS180430 Sample LO: Production LO: India Vendor Master: INDIA Vendor Master: INDIA  
 Production LO: Sourcing LO:  
 Style Material Style Style Pattern Base Size Size Scale Fit SMU Type  
 Description  
 XM0692 1804301 Bluefin Winds™ Camp Shirt M18M3034 M XS - XXL Regular Carry Over

Number	Description	UM	Fiber Content	Fiber Content Back	Material Coating	Material Finish (Face)	Material Laminate	Trim Specific	Supplier Art No	Country of Origin	Standard Cost (FOB)	Purchase Cost (CIF)	Product on Lead Time with Greige	Product on Lead Time without Greige
BANGALORE SALES CORPORATION									400070	India	0.0086	0.0	15	25
070437	2.5mm 4 color non stretch d/c	yd	100% Polyester	unassigned	unassigned	unassigned	unassigned	Size UM: mm						
Paiho Global									070437	Taiwan	0.06	0.0	30	60
Chun Wo Ho Co. Ltd									070437	China	0.11	0.0	30	35
FGV - Shahi Exports Pvt. (SEP) Ltd.									070437	India	0.042	0.0	15	20
Naturub Group of Companies									BBA023189	Bangladesh	0.0485	0.0	40	40
Fabrica de Tejidos El Sol S. A.									112150 L rel 68 #1	Guatemala	0.1	0.0	30	45
029832	51mm PFG triangle Heat Transfer Quality Label 4 clr was 007869 or 022412	ea	100% Polyurethane	unassigned	unassigned	unassigned	unassigned	Size UM: mm						
Finotex El Salvador									029832	El Salvador	0.086	0.0	21	28
Stapros									029832	Taiwan	0.18	0.0	30	40
J-Long Ltd									029832	China	0.179	0.0	30	30
Dekko Accessories Ltd.									TBD	Bangladesh	0.042	0.0	20	28
036635	47.4mm Gem Columbia heat Transfer brand size 2 3 clr CANNOT SHOW INSEAM	ea	100% Polyurethane	unassigned	unassigned	Printed	unassigned	Size UM: mm						
Stapros									036635	Taiwan	0.09	0.099	30	40
Finotex El Salvador									036635	El Salvador	0.05	0.0	21	28
Finotex Colombia									036635	Colombia	0.04	0.0	12	12
J-Long Ltd									036635	China	0.031	0.0	30	40
Subli Honduras S DE RL DE CV.									TBD	unassigned	0.038	0.0	0	0
Dekko Accessories Ltd.									TBD	Bangladesh	0.04	0.0	20	28
028928	63.3mm (B) OMNI-SHADE Heat Transfer 1 clr	ea	100% Polyurethane	unassigned	unassigned	unassigned	unassigned	Size UM: mm						
Finotex El Salvador									028928	El Salvador	0.043	0.0	21	28
Stapros									028928	Taiwan	0.045	0.0	30	40
J-Long Ltd									028928	China	0.081	0.0	30	30
Subli Honduras S DE RL DE CV.									TBD	unassigned	0.007	0.0	0	0
Dekko Accessories Ltd.									TBD	Bangladesh	0.018	0.0	20	28

## Part Specifications with Approved Suppliers

Line Slot: Bluefin Winds Camp Shirt	State: Production	Season: F25
Merchandise Division: Sportswear	Merchandise Collection: Exclusive	Product Class: Woven Tops S/S
Designer: blange	Developer: ccheng	LO Developer: keerthis
Fit Engineer: ccheng	Sourcing Manager: james.burnett	



Design: S8MS180430	Sample LO:	Production LO: India	Vendor Master INDIA	Vendor Master INDIA
Style XM0692	Material Style 1804301	Style Description Bluefin Winds™ Camp Shirt	Production LO:	Sourcing LO:
Pattern M18M3034	Base Size M	Size Scale XS - XXL	Fit Regular	SMU Type Carry Over

Number	Description	UM	Fiber Content	Fiber Content Back	Material Coating	Material Finish (Face)	Material Laminate	Trim Specific	Supplier Art No	Country of Origin	Standard Cost (FOB)	Purchase Cost (CIF)	Product on Lead Time with Greige	Product on Lead Time without Greige
080595	27mm Gem Columbia PFG Woven Clamshell Label with folded ends (Above) 2 clr	ea	100% Recycled Polyester	unassigned	unassigned	unassigned	unassigned	Size UM: mm						
Avery Dennison Global									080595	unassigned	0.03038	0.0	30	30
057380	15mm Double-sided sun glasses woven swing label 2 clr	ea	100% Polyester	unassigned	unassigned	unassigned	unassigned	Size UM: mm						
Dong Young									DY-57380	South Korea	0.018	0.0	30	30
Jointak Industrial Co. Ltd									057380 - VKQ64VF	China	0.0263	0.0	30	35
Nexgen Packaging Global									057380	unassigned	0.042	0.0	21	28
008214	Coats ASTRA Spun Polyester EV Tex 27 40/2	met	100% Polyester	unassigned	unassigned	unassigned	unassigned	Size UM: tex						
Coats Global Thread									EV65120	unassigned	0.0003	0.0	0	0
006564	33mm Care Content ECO Booklet Fold label with fully translated country of origin WHT/BLK for most, BLK/WHT for Titanium only, GRY/BLK is for Garment DYE ONLY- waiting on updated artwork	ea	100% Recycled Polyester	unassigned	unassigned	unassigned	unassigned	Size UM: mm						
Dong Young									DY-006564	South Korea	0.04	0.0	15	15
Finotex El Salvador									006564	El Salvador	0.0	0.0	10	0
Avery Dennison Global									S2088861-8	China	0.016	0.0	30	30
Bao Shen (Apparel)									YL15110003 0 PS7530A5	unassigned	0.016	0.0	7	21
Nexgen Packaging Global									006564	unassigned	0.0221	0.0	21	28
111006	PFG Omni-Shade UPF 50, Omni-Wick Hangtag	ea	unassigned	unassigned	unassigned	unassigned	unassigned	Size UM: cm						
Hang Sang Press Co. Ltd									n/a	unassigned	0.0287	0.0	0	0
Finotex El Salvador									n/a	unassigned	0.037	0.0	21	28
126967	Regular Fit Swing Tag	ea	unassigned	unassigned	unassigned	unassigned	unassigned	Size UM: in						
Hang Sang Press Co. Ltd									n/a	unassigned	0.023	0.0	0	0
Finotex El Salvador									n/a	unassigned	0.016	0.0	21	28
123130	UPC/Pricing with RFID Sticker for Outlet	ea	unassigned	unassigned	unassigned	unassigned	unassigned	Size UM: cm						

**Part Specifications with Approved Suppliers**

Line Slot: Bluefin Winds Camp Shirt	State: Production	Season: F25
Merchandise Division: Sportswear	Merchandise Collection: Exclusive	Product Class: Woven Tops S/S
Designer: blange	Developer: ccheng	LO Developer: keerthis
Fit Engineer: ccheng	Sourcing Manager: james.burnett	



Design:	S8MS180430	Sample LO:	Production LO: India	Vendor Master INDIA	Vendor Master INDIA		
				Production LO:	Sourcing LO:		
Style	Material Style	Style Description	Pattern	Base Size	Size Scale	Fit	SMU Type
XM0692	1804301	Bluefin Winds™ Camp Shirt	M18M3034	M	XS - XXL	Regular	Carry Over

Number	Description	UM	Fiber Content	Fiber Content Back	Material Coating	Material Finish (Face)	Material Laminate	Trim Specific	Supplier Art No	Country of Origin	Standard Cost (FOB)	Purchase Cost (CIF)	Product on Lead Time with Greige	Product on Lead Time without Greige
980001	Polybag See Standard CCS 4200 for specifications	ea	unassigned	unassigned	unassigned	unassigned	unassigned	Size UM: mm						
Contractor									980001	unassigned	0.0	0.0	0	0
980010	UPC Bag Sticker Generic (MHW/Columbia) See CCS4400/ 4401 and MHW4402 for Mt Hardware for instructions	ea	unassigned	unassigned	unassigned	unassigned	unassigned	Size UM: mm						
Hang Sang Press Co. Ltd									980010	Hong Kong	0.016	0.0	14	14
Avery Dennison Global									980010	China	0.01089	0.0	30	30
FGV Sourced									980010	unassigned	0.0	0.0	0	0
Bao Shen (Apparel)									980010	unassigned	0.011	0.0	7	21
Nexgen Packaging Global									980010	unassigned	0.011	0.0	21	28
064194	Outer Carton for costing purpose only	ea	unassigned	unassigned	unassigned	unassigned	unassigned	Size UM: mm						
Contractor									064194	unassigned	0.0	0.0	0	0

This is confidential and proprietary information of Columbia Sportswear Company. You agree that you will not disclose this information to any third party or use it for any purpose other than on behalf of Columbia. You have no right to use Columbia's name or any of its trademarks, trade names, copyrights, patents, designs or other intellectual property except as set forth in writing by Columbia.

### Color BOM

Line Slot: Bluefin Winds Camp Shirt  
 Merchandise Division: Sportswear  
 Designer: blange  
 Fit Engineer: ccheng

Merchandise Collection: Exclusive  
 Developer: ccheng

State: Production  
 Product Class: Woven Tops S/S  
 LO Developer: keerthis

Season: F25  
 Sourcing Manager: james.burnett



Design:	S8MS180430	Sample LO:	Production LO:	India			
Style	Material Style	Style Description	Pattern	Base Size	Size Scale	Fit	SMU Type
XM0692	1804301	Bluefin Winds™ Camp Shirt	M18M3034	M	XS - XXL	Regular	Carry Over

Component	Details	Placement	Usage	Width	Marker Width	024-City Grey	101-White	381-Smokey Sage	461-Crushed Blue	467-Nocturnal
<b>SAP Material Code</b>						180430102 4	180430110 1	180430238 1	180430146 1	180430246 7
						180430202 4	180430210 1	180430338 1	180430246 1	180430346 7
						180430302 4	180430310 1	180430138 1	180430346 1	180430146 7
<b>SMU Accounts</b>						Outlet Stores	Outlet Stores	Outlet Stores	Outlet Stores	Outlet Stores
Shell 1	099294 SlackTide doobby UPF 50 Dobby 100% Polyester 158 X 126 50/72 x 50/48 UV Cut, Wicking MaterialCoatingNone MaterialLaminateNone 76.0 g/m2 Piece Dye/Jet and Jig NA		1.49 yd	54.0	54	City Grey	White	Smokey Sage	Crushed Blue	Nocturnal
Lining 1	200001 Mesh-Warp Knit 2mm mesh hole size Mesh 100% Polyester 28 MaterialFinishNone MaterialCoatingNone MaterialLaminateNone 65.0 g/m2 Piece Dye/Jet		0.17 yd	60.0	60	City Grey	White	Smokey Sage	Crushed Blue	Nocturnal
Lining 2	055984 Polyester Microfiber Sueded face and back Interlock 100% Polyester 32 Sanded/Peached (technical back), Sanded/Peached (technical face) MaterialCoatingNone Polyethylene 147.0 g/m2 Piece Dye/Jet NA		0.008 yd	63.0	63	Cool Grey	Cool Grey	Cool Grey	Cool Grey	Cool Grey

### Color BOM

Line Slot: Bluefin Winds Camp Shirt  
 Merchandise Division: Sportswear  
 Designer: blange  
 Fit Engineer: ccheng

Merchandise Collection: Exclusive  
 Developer: ccheng

State: Production  
 Product Class: Woven Tops S/S  
 LO Developer: keerthis

Season: F25  
 Sourcing Manager: james.burnett



Design: S8MS180430  
 Style Material Style: XM0692 1804301

Sample LO:  
 Style Description: Bluefin Winds™ Camp Shirt  
 Pattern: M18M3034

Production LO: India  
 Base Size: M  
 Size Scale: XS - XXL  
 Fit: Regular  
 SMU Type: Carry Over

Component	Details	Placement	Usage	Width	Marker Width	024-City Grey	101-White	381-Smokey Sage	461-Crushed Blue	467-Nocturnal
<b>SAP Material Code</b>						180430102 4	180430110 1	180430238 1	180430146 1	180430246 7
						180430202 4	180430210 1	180430338 1	180430246 1	180430346 7
						180430302 4	180430310 1	180430138 1	180430346 1	180430146 7
Interfacing 1	011953 Interlining Non-Woven Fusible Medium Weight for Garment Wash Interlining 100% Polyester 40.0 g/m2		0.163 yd	60.0	60	White	White	White	White	White
Button 1	400070 20L 4H Columbia Logo Button or Lt Horn DTM (White is not available)(Call out Light Horn on BOM for Light Horn, undyed) Width: 20.0		7 ea	0.0	0	Dark Horn	Light Horn	Light Horn	Dark Horn	Dark Horn
Drawcord-Cording-Laces 1	070437 2.5mm 4 color non stretch d/c		0.056 yd	0.0	0	Grill, Columbia Grey, Grill, Columbia Grey	Columbia Grey, Grill, Columbia Grey, Grill	Columbia Grey, Grill, Columbia Grey, Grill	Grill, Columbia Grey, Grill, Columbia Grey	Grill, Columbia Grey, Grill, Columbia Grey
Heat Transfer Glued 1	029832 51mm PFG triangle Heat Transfer Quality Label 4 clr was 007869 or 022412		1 ea	0.0	0	PMS Cool Grey 3, PMS Cool Grey 7, Nightshade, White	PMS Cool Grey 3, PMS Cool Grey 7, Nightshade, White	PMS Cool Grey 3, PMS Cool Grey 7, Nightshade, White	PMS Cool Grey 3, PMS Cool Grey 7, Nightshade, White	PMS Cool Grey 3, PMS Cool Grey 7, Nightshade, White
Heat Transfer Glued 2	036635 47.4mm Gem Columbia heat Transfer brand size 2 3 clr CANNOT SHOW INSEAM		1 ea	0.0	0	White, Columbia Grey, Compass Blue	White, Columbia Grey, Compass Blue	White, Columbia Grey, Compass Blue	White, Columbia Grey, Compass Blue	White, Columbia Grey, Compass Blue
Heat Transfer Glued 3	028928 63.3mm (B) OMNI-SHADE Heat Transfer 1 clr		1 ea	0.0	0	Columbia Grey	Columbia Grey	Grill	Grill	Columbia Grey
Label Logo 1	080595 27mm Gem Columbia PFG Woven Clamshell Label with folded ends (Above) 2 clr		1 ea	0.0	0	Cool Grey, Nightshade	Cool Grey, Nightshade	Cool Grey, Nightshade	Cool Grey, Nightshade	Cool Grey, Nightshade
Label Logo 2	057380 15mm Double-sided sun glasses woven swing label 2 clr		1 ea	0.0	0	Columbia Grey, Grill	Columbia Grey, Grill	Columbia Grey, Grill	Columbia Grey, Grill	Columbia Grey, Grill

**Color BOM**

Line Slot: Bluefin Winds Camp Shirt  
 Merchandise Division: Sportswear  
 Designer: blange  
 Fit Engineer: ccheng

Merchandise Collection: Exclusive  
 Developer: ccheng

State: Production  
 Product Class: Woven Tops S/S  
 LO Developer: keerthis

Season: F25  
 Sourcing Manager: james.burnett



Design: S8MS180430      Sample LO:      Production LO: India  
 Style Material Style      Style Description      Pattern      Base Size      Size Scale      Fit      SMU Type  
 XM0692      1804301      Bluefin Winds™ Camp Shirt      M18M3034      M      XS - XXL      Regular      Carry Over

Component	Details	Placement	Usage	Width	Marker Width	024-City Grey	101-White	381-Smokey Sage	461-Crushed Blue	467-Nocturnal
<b>SAP Material Code</b>						180430102 4	180430110 1	180430238 1	180430146 1	180430246 7
						180430202 4	180430210 1	180430338 1	180430246 1	180430346 7
						180430302 4	180430310 1	180430138 1	180430346 1	180430146 7
Thread 1	008214 Coats ASTRA Spun Polyester EV Tex 27 40/2		350 meter	0.0	0	DTM	DTM	DTM	DTM	DTM
Label 1	006564 33mm Care Content ECO Booklet Fold label with fully translated country of origin WHT/BLK for most, BLK/WHT for Titanium only, GRY/BLK is for Garment DYE ONLY- waiting on updated artwork		1 ea	0.0	0	White, Black	White, Black	White, Black	White, Black	White, Black
Hangtag Package Part	111006 PFG Omni-Shade UPF 50, Omni-Wick Hangtag		1 ea	0.0	0	Artwork	Artwork	Artwork	Artwork	Artwork
Hangtag Package Part	126967 Regular Fit Swing Tag		1 ea	0.0	0	Artwork	Artwork	Artwork	Artwork	Artwork
Hangtag Package Part	123130 UPC/Pricing with RFID Sticker for Outlet		1 ea	0.0	0	Artwork	Artwork	Artwork	Artwork	Artwork
Packaging 1	980001 Polybag See Standard CCS 4200 for specifications		1 ea	0.0	0	Stock	Stock	Stock	Stock	Stock
Packaging 2	980010 UPC Bag Sticker Generic (MHW/Columbia) See CCS4400/ 4401 and MHW4402 for Mt Hardwear for instructions		1 ea	0.0	0	Artwork	Artwork	Artwork	Artwork	Artwork
Packaging 3	064194 Outer Carton for costing purpose only		1 ea	0.0	0	Stock	Stock	Stock	Stock	Stock

**Color BOM**

Line Slot: Bluefin Winds Camp Shirt      State: Production      Season: F25  
 Merchandise Division: Sportswear      Merchandise Collection: Exclusive      Product Class: Woven Tops S/S  
 Designer: blange      Developer: ccheng      LO Developer: keerthis      Sourcing Manager: james.burnett  
 Fit Engineer: ccheng

Design: S8MS180430      Sample LO:      Production LO: India  
 Style Material Style Style Description Pattern Base Size Size Scale Fit SMU Type  
 XM0692 1804301 Bluefin Winds™ M18M3034 M XS - XXL Regular Carry Over  
 Camp Shirt



Component	Details	Placement	Usage	Width	Marker Width	597-Minuet	852-Faded Peach
<b>SAP Material Code</b>						1804301597 1804302597 1804303597	1804302852 1804303852 1804301852
<b>SMU Accounts</b>						Outlet Stores	Outlet Stores
Shell 1	099294 SlackTide doobby UPF 50 Dobby 100% Polyester 158 X 126 50/72 x 50/48 UV Cut, Wicking MaterialCoatingNone MaterialLaminateNone 76.0 g/m2 Piece Dye/Jet and Jig NA		1.49 yd	54.0	54	Minuet	Faded Peach
Lining 1	200001 Mesh-Warp Knit 2mm mesh hole size Mesh 100% Polyester 28 MaterialFinishNone MaterialCoatingNone MaterialLaminateNone 65.0 g/m2 Piece Dye/Jet		0.17 yd	60.0	60	Minuet	Faded Peach
Lining 2	055984 Polyester Microfiber Sueded face and back Interlock 100% Polyester 32 Sanded/Peached (technical back), Sanded/Peached (technical face) MaterialCoatingNone Polyethylene 147.0 g/m2 Piece Dye/Jet NA		0.008 yd	63.0	63	Cool Grey	Cool Grey
Interfacing 1	011953 Interlining Non-Woven Fusible Medium Weight for Garment Wash Interlining 100% Polyester 40.0 g/m2		0.163 yd	60.0	60	White	White



### Color BOM

Line Slot: Bluefin Winds Camp Shirt		State: Production		Season: F25			
Merchandise Division: Sportswear		Merchandise Collection: Exclusive		Product Class: Woven Tops S/S			
Designer: blange		Developer: ccheng		LO Developer: keerthis			
Fit Engineer: ccheng				Sourcing Manager: james.burnett			
Design:	S8MS180430	Sample LO:		Production LO:	India		
Style	Material Style	Style Description	Pattern	Base Size	Size Scale	Fit	SMU Type
XM0692	1804301	Bluefin Winds™ Camp Shirt	M18M3034	M	XS - XXL	Regular	Carry Over



Component	Details	Placement	Usage	Width	Marker Width	597-Minuet	852-Faded Peach
<b>SAP Material Code</b>						<b>1804301597</b> <b>1804302597</b> <b>1804303597</b>	<b>1804302852</b> <b>1804303852</b> <b>1804301852</b>
Button 1	400070 20L 4H Columbia Logo Button or Lt Horn DTM (White is not available)(Call out Light Horn on BOM for Light Horn, undyed) Width: 20.0		7 ea	0.0	0	Light Horn	Light Horn
Drawcord-Cording-Laces 1	070437 2.5mm 4 color non stretch d/c		0.056 yd	0.0	0	Columbia Grey, Grill, Columbia Grey, Grill	Grill, Columbia Grey, Grill, Columbia Grey
Heat Transfer Glued 1	029832 51mm PFG triangle Heat Transfer Quality Label 4 clr was 007869 or 022412		1 ea	0.0	0	PMS Cool Grey 3, PMS Cool Grey 7, Nightshade, White	PMS Cool Grey 3, PMS Cool Grey 7, Nightshade, White
Heat Transfer Glued 2	036635 47.4mm Gem Columbia heat Transfer brand size 2 3 clr CANNOT SHOW INSEAM		1 ea	0.0	0	White, Columbia Grey, Compass Blue	White, Columbia Grey, Compass Blue
Heat Transfer Glued 3	028928 63.3mm (B) OMNI-SHADE Heat Transfer 1 clr		1 ea	0.0	0	White	Grill
Label Logo 1	080595 27mm Gem Columbia PFG Woven Clamshell Label with folded ends (Above) 2 clr		1 ea	0.0	0	Cool Grey, Nightshade	Cool Grey, Nightshade
Label Logo 2	057380 15mm Double-sided sun glasses woven swing label 2 clr		1 ea	0.0	0	Columbia Grey, Grill	Columbia Grey, Grill
Thread 1	008214 Coats ASTRA Spun Polyester EV Tex 27 40/2		350 meter	0.0	0	DTM	DTM
Label 1	006564 33mm Care Content ECO Booklet Fold label with fully translated country of origin WHT/BLK for most, BLK/WHT for Titanium only, GRY/BLK is for Garment DYE ONLY- waiting on updated artwork		1 ea	0.0	0	White, Black	White, Black
Hangtag Package Part	111006 PFG Omni-Shade UPF 50, Omni-Wick Hangtag		1 ea	0.0	0	Artwork	Artwork
Hangtag Package Part	126967 Regular Fit Swing Tag		1 ea	0.0	0	Artwork	Artwork
Hangtag Package Part	123130 UPC/Pricing with RFID Sticker for Outlet		1 ea	0.0	0	Artwork	Artwork

### Color BOM

Line Slot: Bluefin Winds Camp Shirt		State: Production		Season: F25			
Merchandise Division: Sportswear		Merchandise Collection: Exclusive		Product Class: Woven Tops S/S			
Designer: blange		Developer: ccheng		LO Developer: keerthis			
Fit Engineer: ccheng				Sourcing Manager: james.burnett			
Design:	S8MS180430	Sample LO:		Production LO:	India		
Style	Material Style	Style Description	Pattern	Base Size	Size Scale	Fit	SMU Type
XM0692	1804301	Bluefin Winds™ Camp Shirt	M18M3034	M	XS - XXL	Regular	Carry Over



Component	Details	Placement	Usage	Width	Marker Width	597-Minuet	852-Faded Peach
<b>SAP Material Code</b>						<b>1804301597</b>	<b>1804302852</b>
						<b>1804302597</b>	<b>1804303852</b>
						<b>1804303597</b>	<b>1804301852</b>
Packaging 1	980001 Polybag See Standard CCS 4200 for specifications		1 ea	0.0	0	Stock	Stock
Packaging 2	980010 UPC Bag Sticker Generic (MHW/Columbia) See CCS4400/ 4401 and MHW4402 for Mt Hardware for instructions		1 ea	0.0	0	Artwork	Artwork
Packaging 3	064194 Outer Carton for costing purpose only		1 ea	0.0	0	Stock	Stock

This is confidential and proprietary information of Columbia Sportswear Company. You agree that you will not disclose this information to any third party or use it for any purpose other than on behalf of Columbia. You have no right to use Columbia's name or any of its trademarks, trade names, copyrights, patents, designs or other intellectual property except as set forth in writing by Columbia.

## Colorless BOM

Line Slot: Bluefin Winds Camp Shirt      State: Production      Season: F25  
 Merchandise Division: Sportswear      Merchandise Collection: Exclusive      Product Class: Woven Tops S/S  
 Designer: blange      Developer: ccheng      LO Developer: keerthis      Sourcing Manager: james.burnett  
 Fit Engineer: ccheng

Design: S8MS180430      Sample LO:      Production LO: India

Style	Material Style	Style Description	Pattern	Base Size	Size Scale	Fit	SMU Type
XM0692	1804301	Bluefin Winds™ Camp Shirt	M18M3034	M	XS - XXL	Regular	Carry Over



Component	Details	Placement	Usage	Width	Marker Width
<b>SAP Material Code</b>					
Shell 1	099294 SlackTide dobby UPF 50 Dobby 100% Polyester 158 X 126 50/72 x 50/48 UV Cut, Wicking MaterialCoatingNone MaterialLaminateNone 76.0 g/m2 Piece Dye/Jet and Jig NA		1.49 yd	54.0	54
Lining 1	200001 Mesh-Warp Knit 2mm mesh hole size Mesh 100% Polyester 28 MaterialFinishNone MaterialCoatingNone MaterialLaminateNone 65.0 g/m2 Piece Dye/Jet		0.17 yd	60.0	60
Lining 2	055984 Polyester Microfiber Sueded face and back Interlock 100% Polyester 32 Sanded/Peached (technical back), Sanded/Peached (technical face) MaterialCoatingNone Polyethylene 147.0 g/m2 Piece Dye/Jet NA		0.008 yd	63.0	63
Interfacing 1	011953 Interlining Non-Woven Fusible Medium Weight for Garment Wash Interlining 100% Polyester 40.0 g/m2		0.163 yd	60.0	60
Button 1	400070 20L 4H Columbia Logo Button or Lt Horn DTM (White is not available)(Call out Light Horn on BOM for Light Horn, undyed) Width: 20.0		7 ea	0.0	0
Drawcord-Cording-Laces 1	070437 2.5mm 4 color non stretch d/c		0.056 yd	0.0	0
Heat Transfer Glued 1	029832 51mm PFG triangle Heat Transfer Quality Label 4 clr was 007869 or 022412		1 ea	0.0	0
Heat Transfer Glued 2	036635 47.4mm Gem Columbia heat Transfer brand size 2 3 clr CANNOT SHOW INSEAM		1 ea	0.0	0
Heat Transfer Glued 3	028928 63.3mm (B) OMNI-SHADE Heat Transfer 1 clr		1 ea	0.0	0
Label Logo 1	080595 27mm Gem Columbia PFG Woven Clamshell Label with folded ends (Above) 2 clr		1 ea	0.0	0
Label Logo 2	057380 15mm Double-sided sun glasses woven swing label 2 clr		1 ea	0.0	0

### Colorless BOM

Line Slot: Bluefin Winds Camp Shirt      State: Production      Season: F25  
 Merchandise Division: Sportswear      Merchandise Collection: Exclusive      Product Class: Woven Tops S/S  
 Designer: blange      Developer: ccheng      LO Developer: keerthis      Sourcing Manager: james.burnett  
 Fit Engineer: ccheng  
 Design: S8MS180430      Sample LO:      Production LO: India  
 Style      Material Style      Style Description      Pattern      Base Size      Size Scale      Fit      SMU Type  
 XM0692      1804301      Bluefin Winds™ Camp Shirt      M18M3034      M      XS - XXL      Regular      Carry Over



Component	Details	Placement	Usage	Width	Marker Width
<b>SAP Material Code</b>					
Thread 1	008214 Coats ASTRA Spun Polyester EV Tex 27 40/2		350 meter	0.0	0
Label 1	006564 33mm Care Content ECO Booklet Fold label with fully translated country of origin WHT/BLK for most, BLK/WHT for Titanium only, GRY/BLK is for Garment DYE ONLY- waiting on updated artwork		1 ea	0.0	0
Hangtag Package Part	111006 PFG Omni-Shade UPF 50, Omni-Wick Hangtag		1 ea	0.0	0
Hangtag Package Part	126967 Regular Fit Swing Tag		1 ea	0.0	0
Hangtag Package Part	123130 UPC/Pricing with RFID Sticker for Outlet		1 ea	0.0	0
Packaging 1	980001 Polybag See Standard CCS 4200 for specifications		1 ea	0.0	0
Packaging 2	980010 UPC Bag Sticker Generic (MHW/Columbia) See CCS4400/ 4401 and MHW4402 for Mt Hardwear for instructions		1 ea	0.0	0
Packaging 3	064194 Outer Carton for costing purpose only		1 ea	0.0	0

This is confidential and proprietary information of Columbia Sportswear Company. You agree that you will not disclose this information to any third party or use it for any purpose other than on behalf of Columbia. You have no right to use Columbia's name or any of its trademarks, trade names, copyrights, patents, designs or other intellectual property except as set forth in writing by Columbia.

## Color Specification

Line Slot: Bluefin Winds Camp Shirt  
 Merchandise Division: Sportswear  
 Designer: blange  
 Fit Engineer: ccheng

Merchandise Collection: Exclusive  
 Developer: ccheng

State: Production  
 Product Class: Woven Tops S/S  
 LO Developer: keerthis

Season: F25  
 Sourcing Manager: james.burnett



Design:	S8MS180430	Sample LO:		Production LO:	India			
Style	Material Style	Style Description	Pattern	Base Size	Size Scale	Fit	SMU Type	
XM0692	1804301	Bluefin Winds™ Camp Shirt	M18M3034	M	XS - XXL	Regular	Carry Over	

Component - Material	024-City Grey	101-White	381-Smokey Sage	461-Crushed Blue	467-Nocturnal	597-Minuet	852-Faded Peach
Shell 1 - 099294	City Grey	White	Smokey Sage	Crushed Blue	Nocturnal	Minuet	Faded Peach
Lining 1 - 200001	Cool Grey	Cool Grey	Cool Grey	Cool Grey	Cool Grey	Cool Grey	Cool Grey
Lining 2 - 055984	Cool Grey	Cool Grey	Cool Grey	Cool Grey	Cool Grey	Cool Grey	Cool Grey
Interfacing 1 - 011953	White	White	White	White	White	White	White
Button 1 - 400070	Dark Horn	Light Horn	Light Horn	Dark Horn	Light Horn	Light Horn	Light Horn
Drawcord-Cording-Laces 1 - 070437	Grill, Columbia Grey, Grill, Columbia Grey	Columbia Grey, Grill, Columbia Grey, Grill	Columbia Grey, Grill, Columbia Grey, Grill	Grill, Columbia Grey, Grill, Columbia Grey	Grill, Columbia Grey, Grill, Columbia Grey	Columbia Grey, Grill, Columbia Grey, Grill	Grill, Columbia Grey, Grill, Columbia Grey
Heat Transfer Glued 1 - 029832	PMS Cool Grey 3, PMS Cool Grey 7, Nightshade, White	PMS Cool Grey 3, PMS Cool Grey 7, Nightshade, White	PMS Cool Grey 3, PMS Cool Grey 7, Nightshade, White	PMS Cool Grey 3, PMS Cool Grey 7, Nightshade, White	PMS Cool Grey 3, PMS Cool Grey 7, Nightshade, White	PMS Cool Grey 3, PMS Cool Grey 7, Nightshade, White	PMS Cool Grey 3, PMS Cool Grey 7, Nightshade, White
Heat Transfer Glued 2 - 036635	White, Columbia Grey, Compass Blue	White, Columbia Grey, Compass Blue	White, Columbia Grey, Compass Blue	White, Columbia Grey, Compass Blue	White, Columbia Grey, Compass Blue	White, Columbia Grey, Compass Blue	White, Columbia Grey, Compass Blue
Heat Transfer Glued 3 - 028928	Columbia Grey	Columbia Grey	Grill	Grill	Columbia Grey	White	Grill
Label Logo 1 - 080595	Cool Grey, Nightshade	Cool Grey, Nightshade	Cool Grey, Nightshade	Cool Grey, Nightshade	Cool Grey, Nightshade	Cool Grey, Nightshade	Cool Grey, Nightshade
Label Logo 2 - 057380	Columbia Grey, Grill	Columbia Grey, Grill	Columbia Grey, Grill	Columbia Grey, Grill	Columbia Grey, Grill	Columbia Grey, Grill	Columbia Grey, Grill
Thread 1 - 008214	DTM	DTM	DTM	DTM	DTM	DTM	DTM
Label 1 - 006564	White, Black	White, Black	White, Black	White, Black	White, Black	White, Black	White, Black
Hangtag Package Part - 111006	Artwork	Artwork	Artwork	Artwork	Artwork	Artwork	Artwork
Hangtag Package Part - 126967							
Hangtag Package Part - 123130							
Packaging 2 - 980010							
Packaging 1 - 980001	Stock	Stock	Stock	Stock	Stock	Stock	Stock
Packaging 3 - 064194	Stock	Stock	Stock	Stock	Stock	Stock	Stock

This is confidential and proprietary information of Columbia Sportswear Company. You agree that you will not disclose this information to any third party or use it for any purpose other than on behalf of Columbia. You have no right to use Columbia's name or any of its trademarks, trade names, copyrights, patents, designs or other intellectual property except as set forth in writing by Columbia.

### Costing BOM

Line Slot: Bluefin Winds Camp Shirt  
 Merchandise Division: Sportswear  
 Designer: blange  
 Fit Engineer: ccheng

Merchandise Collection: Exclusive  
 Developer: ccheng

State: Production  
 Product Class: Woven Tops S/S  
 LO Developer: keerthis

Season: F25  
 Sourcing Manager: james.burnett



Design:	S8MS180430	Sample LO:		Production LO:	India		
Style	Material Style	Style Description	Pattern	Base Size	Size Scale	Fit	SMU Type
XM0692	1804301	Bluefin Winds™ Camp Shirt	M18M3034	M	XS - XXL	Regular	Carry Over

Colorway Number	Color Way	FOB Material	CIF Material	FOB Trim	CIF Trim	Allowance %	Total FOB	Total CIF
024	City Grey	2.935	0.000	0.686	0.101	0.0	3.621	0.101
101	White	2.935	0.000	0.686	0.101	0.0	3.621	0.101
381	Smokey Sage	2.935	0.000	0.686	0.101	0.0	3.621	0.101
461	Crushed Blue	2.935	0.000	0.686	0.101	0.0	3.621	0.101
467	Nocturnal	2.935	0.000	0.686	0.101	0.0	3.621	0.101
597	Minuet	2.935	0.000	0.686	0.101	0.0	3.621	0.101
852	Faded Peach	2.935	0.000	0.686	0.101	0.0	3.621	0.101

### Costing BOM

Line Slot: Bluefin Winds Camp Shirt  
 Merchandise Division: Sportswear  
 Designer: blange  
 Fit Engineer: ccheng

Merchandise Collection: Exclusive  
 Developer: ccheng

State: Production  
 Product Class: Woven Tops S/S  
 LO Developer: keerthis

Season: F25  
 Sourcing Manager: james.burnett



Design: S8MS180430	Sample LO:	Production LO: India	
Style XM0692	Material Style 1804301	Style Description Bluefin Winds™ Camp Shirt	Pattern M18M3034
		Base Size M	Size Scale XS - XXL
		Fit Regular	SMU Type Carry Over

Component	Material	Description	Fabric Width	Supplier	Locked	Country of Origin	Managin g Liaison Office	UoM	Target Cost	FOB Unit Cost	CIF Unit Cost	Usage	Wastage %	Total FOB	Total CIF
Shell 1	099294	SlackTide doobby UPF 50	54.0	Haren Textiles Pvt. Ltd.	N	India	India	yd	0.0	1.8	<b>0.0</b>	1.490	3	2.762	<b>0.000</b>
Lining 1	200001	Mesh-Warp Knit 2mm mesh hole size	60.0	Haren Textiles Pvt. Ltd.	Y	India	India	yd	0.0	0.46	<b>0.0</b>	0.170	7	0.084	<b>0.000</b>
Lining 2	055984	Polyester Microfiber Sueded face and back	63.0	Far Eastern Textile Ltd.	N	Taiwan	Taiwan-Taipei	yd	2.94	2.3	<b>0.0</b>	0.008	7	0.020	<b>0.000</b>
Interfacing 1	011953	Interlining Non-Woven Fusible Medium Weight for Garment Wash	60.0	PCC asia LLC	Y	China	India	yd	0.0	0.41	<b>0.0</b>	0.163	3	0.069	<b>0.000</b>

### Costing BOM

Line Slot: Bluefin Winds Camp Shirt  
 Merchandise Division: Sportswear  
 Designer: blange  
 Fit Engineer: ccheng

Merchandise Collection: Exclusive  
 Developer: ccheng

State: Production  
 Product Class: Woven Tops S/S  
 LO Developer: keerthis

Season: F25  
 Sourcing Manager: james.burnett



Design: S8MS180430      Sample LO:  
 Style: Material Style      Style Description      Pattern  
 XM0692      1804301      Bluefin Winds™      M18M3034  
    Camp Shirt

Production LO: India  
 Base Size: M      Size Scale: XS - XXL      Fit: Regular      SMU Type: Carry Over

Component	Material	Description	Fabric Width	Supplier	Locked	Country of Origin	Managin g Liaison Office	UoM	Target Cost	FOB Unit Cost	CIF Unit Cost	Usage	Wastage %	Total FOB	Total CIF
Button 1	400070	20L 4H Columbia Logo Button or Lt Horn DTM (White is not available)(Call out Light Horn on BOM for Light Horn, undyed)	0.0	BANGAL ORE SALES CORPORATION	Y	India	India	ea	0.0	0.0086	0.0	7.000	2.0	0.061	0.000
Drawcord-Cording-Laces 1	070437	2.5mm 4 color non stretch d/c	0.0	FGV - Shahi Exports Pvt. (SEP) Ltd.	Y	India	India	yd	0.0	0.042	0.0	0.056	7.0	0.003	0.000
Heat Transfer Glued 1	029832	51mm PFG triangle Heat Transfer Quality Label 4 clr was 007869 or 022412	0.0	Stapros	N	Taiwan	Taiwan-Taipei	ea	0.0	0.18	0.0	1.000	2.0	0.184	0.000



### Costing BOM

Line Slot: Bluefin Winds Camp Shirt  
 Merchandise Division: Sportswear  
 Designer: blange  
 Fit Engineer: ccheng

Merchandise Collection: Exclusive  
 Developer: ccheng

State: Production  
 Product Class: Woven Tops S/S  
 LO Developer: keerthis

Season: F25  
 Sourcing Manager: james.burnett



Design:	S8MS180430	Sample LO:		Production LO:	India		
Style	Material Style	Style Description	Pattern	Base Size	Size Scale	Fit	SMU Type
XM0692	1804301	Bluefin Winds™ Camp Shirt	M18M3034	M	XS - XXL	Regular	Carry Over

Component	Material	Description	Fabric Width	Supplier	Locked	Country of Origin	Managing Liaison Office	UoM	Target Cost	FOB Unit Cost	CIF Unit Cost	Usage	Wastage %	Total FOB	Total CIF
Heat Transfer Glued 2	036635	47.4mm Gem Columbia heat Transfer brand size 2 3 clr CANNOT SHOW INSEAM	0.0	Stapros	N	Taiwan	Taiwan- Taipei	ea	0.0	0.09	0.099	1.000	2.0	0.092	0.101
Heat Transfer Glued 3	028928	63.3mm (B) OMNI-SHADE Heat Transfer 1 clr	0.0	Stapros	N	Taiwan	Taiwan- Taipei	ea	0.0	0.045	0.0	1.000	2.0	0.046	0.000
Label Logo 1	080595	27mm Gem Columbia PFG Woven Clamshell Label with folded ends (Above) 2 clr	0.0	Avery Dennison Global	N	unassigne d	Portland	ea	0.0	0.03038	0.0	1.000	3.0	0.031	0.000
Label Logo 2	057380	15mm Double- sided sun glasses woven swing label 2 clr	0.0	Jointak Industrial Co. Ltd	N	China	Taiwan- Taipei	ea	0.0	0.0263	0.0	1.000	3.0	0.027	0.000

### Costing BOM

Line Slot: Bluefin Winds Camp Shirt  
 Merchandise Division: Sportswear  
 Designer: blange  
 Fit Engineer: ccheng

Merchandise Collection: Exclusive  
 Developer: ccheng

State: Production  
 Product Class: Woven Tops S/S  
 LO Developer: keerthis

Season: F25  
 Sourcing Manager: james.burnett



Design: S8MS180430	Sample LO:	Production LO: India	
Style XM0692	Material Style 1804301	Style Description Bluefin Winds™ Camp Shirt	Pattern M18M3034
		Base Size M	Size Scale XS - XXL
		Fit Regular	SMU Type Carry Over

Component	Material	Description	Fabric Width	Supplier	Locked	Country of Origin	Managing Liaison Office	UoM	Target Cost	FOB Unit Cost	CIF Unit Cost	Usage	Wastage %	Total FOB	Total CIF
Thread 1	008214	Coats ASTRA Spun Polyester EV Tex 27 40/2	0.0	Coats Global Thread	N	unassigned	Portland	meter	0.0	0.0003	0.0	350.000	5.0	0.110	0.000
Label 1	006564	33mm Care Content ECO Booklet Fold label with fully translated country of origin WHT/BLK for most, BLK/WHT for Titanium only, GRY/BLK is for Garment DYE ONLY- waiting on updated artwork	0.0	Avery Dennison Global	N	China	Portland	ea	0.0	0.016	0.0	1.000	3.0	0.016	0.000
Hangtag Package Part	111006	PFG Omni-Shade UPF 50, Omni-Wick Hangtag	0.0	Hang Sang Press Co. Ltd	N	unassigned	Portland	ea	0.0	0.0287	0.0	1.000	3.0	0.030	0.000

### Costing BOM

Line Slot: Bluefin Winds Camp Shirt  
 Merchandise Division: Sportswear  
 Designer: blange  
 Fit Engineer: ccheng

Merchandise Collection: Exclusive  
 Developer: ccheng

State: Production  
 Product Class: Woven Tops S/S  
 LO Developer: keerthis

Season: F25  
 Sourcing Manager: james.burnett



Design: S8MS180430      Sample LO:  
 Style: Material Style      Style Description      Pattern  
 XM0692      1804301      Bluefin Winds™      M18M3034  
    Camp Shirt

Production LO: India  
 Base Size: M      Size Scale: XS - XXL  
 Fit: Regular      SMU Type: Carry Over

Component	Material	Description	Fabric Width	Supplier	Locked	Country of Origin	Managing Liaison Office	UoM	Target Cost	FOB Unit Cost	CIF Unit Cost	Usage	Wastage %	Total FOB	Total CIF
Hangtag Package Part	126967	Regular Fit Swing Tag	0.0	Hang Sang Press Co. Ltd	N	unassigned	Portland	ea	0.0	0.023	0.0	1.000	3.0	0.024	0.000
Hangtag Package Part	123130	UPC/Pricing with RFID Sticker for Outlet	0.0	Avery Dennison Global	Y	unassigned	Portland	ea	0.0	0.04875	0.0	1.000	5.0	0.051	0.000
Packaging 1	980001	Polybag See Standard CCS 4200 for specifications	0.0	Contractor	N	unassigned	Hong Kong	ea	0.0	0.0	0.0	1.000	3.0	0.000	0.000
Packaging 2	980010	UPC Bag Sticker Generic (MHW/Columbia) See CCS4400/4401 and MHW4402 for Mt Hardware for instructions	0.0	Avery Dennison Global	Y	China	Portland	ea	0.0	0.01089	0.0	1.000	5.0	0.011	0.000

### Costing BOM

Line Slot: Bluefin Winds Camp Shirt      State: Production      Season: F25  
 Merchandise Division: Sportswear      Merchandise Collection: Exclusive      Product Class: Woven Tops S/S  
 Designer: blange      Developer: ccheng      LO Developer: keerthis      Sourcing Manager: james.burnett  
 Fit Engineer: ccheng

Design: S8MS180430      Sample LO:      Production LO: India  
 Style Material Style      Style Description      Pattern      Base Size      Size Scale      Fit      SMU Type  
 XM0692      1804301      Bluefin Winds™      M18M3034      M      XS - XXL      Regular      Carry Over



Component	Material	Description	Fabric Width	Supplier	Locked	Country of Origin	Managing Liaison Office	UoM	Target Cost	FOB Unit Cost	CIF Unit Cost	Usage	Wastage %	Total FOB	Total CIF
Packaging 3	064194	Outer Carton for costing purpose only	0.0	Contractor	N	unassigned	Hong Kong	ea	0.0	0.0	0.0	1.000	3.0	0.000	0.000

### Costing BOM

Line Slot: Bluefin Winds Camp Shirt	State: Production	Season: F25					
Merchandise Division: Sportswear	Merchandise Collection: Exclusive	Product Class: Woven Tops S/S					
Designer: blange	Developer: ccheng	LO Developer: keerthis					
Fit Engineer: ccheng		Sourcing Manager: james.burnett					
Design: S8MS180430	Sample LO:	Production LO: India					
Style Material Style	Style Description	Pattern	Base Size	Size Scale	Fit	SMU Type	
XM0692	1804301	Bluefin Winds™ Camp Shirt	M18M3034	M	XS - XXL	Regular	Carry Over



This is confidential and proprietary information of Columbia Sportswear Company. You agree that you will not disclose this information to any third party or use it for any purpose other than on behalf of Columbia. You have no right to use Columbia's name or any of its trademarks, trade names, copyrights, patents, designs or other intellectual property except as set forth in writing by Columbia.

### Instructions

Line Slot: Bluefin Winds Camp Shirt      State: Production      Season: F25  
 Merchandise Division: Sportswear      Merchandise Collection: Exclusive      Product Class: Woven Tops S/S  
 Designer: blange      Developer: ccheng      LO Developer: keerthis      Sourcing Manager: james.burnett  
 Fit Engineer: ccheng  
 Design: S8MS180430      Sample LO:      Production LO: India  
 Style      Material Style      Style Description      Pattern      Base Size      Size Scale      Fit      SMU Type  
 XM0692      1804301      Bluefin Winds™ Camp Shirt      M18M3034      M      XS - XXL      Regular      Carry Over



Category	Subcategory	Description	Comments
BUTTONHOLES	BUTTONHOLES FUNCTIONAL	SIZED TO ACCOMMODATE BUTTON	6 Front Placket
BARTACKS	BARTACK FUNCTIONAL	3/8 INCH IN LENGTH	1 Sunglass loop 2 Chest pocket opening 4/2 Back vent opening
		1/2 INCH IN LENGTH	2/1 Side vent
EYELETS (SEWN)	EYELETS (SEWN)	SEE COMMENTS	3 Chest Pocket

This is confidential and proprietary information of Columbia Sportswear Company. You agree that you will not disclose this information to any third party or use it for any purpose other than on behalf of Columbia. You have no right to use Columbia's name or any of its trademarks, trade names, copyrights, patents, designs or other intellectual property except as set forth in writing by Columbia.

## Care Report

Line Slot: Bluefin Winds Camp Shirt	State: Production	Season: F25					
Merchandise Division: Sportswear	Merchandise Collection: Exclusive	Product Class: Woven Tops S/S					
Designer: blange	Developer: ccheng	LO Developer: keerthis					
Fit Engineer: ccheng		Sourcing Manager: james.burnett					
Design: S8MS180430	Sample LO:	Production LO: India					
Style XM0692	Material Style 1804301	Style Description Bluefin Winds™ Camp Shirt	Pattern M18M3034	Base Size M	Size Scale XS - XXL	Fit Regular	SMU Type Carry Over



Care Code: 1050		Color Way Number	Color Way Name
<b>English</b>	Machine Wash Cold Gentle, Wash Separately, Do Not Bleach, Tumble Dry Low, Remove Promptly, Iron Low, Do Not Use Fabric Softener, Do Not Dryclean	024	City Grey
<b>French</b>	Lavage machine à froid, Cycle délicat, Laver séparément, Ne pas utiliser d'eau de javel, Séchage machine, basse température, Sortir immédiatement de la machine, Repasser à basse température, Ne pas utiliser d'assouplissant, Nettoyage à sec interdit	101	White
<b>German</b>	Schonwaschgang mit kaltem Wasser, Separat waschen, Keine Bleichmittel verwenden, Trocknen im Wäschetrockner bei niedriger Temperatur, Sofort aus dem Trockner nehmen, Bügeln mit niedriger Temperatur, Keine Weichspüler verwenden, Nicht chemisch reinigen	381	Smokey Sage
<b>Portuguese</b>	Lavar à maquina com água fria, ciclo para roupas delicadas, Lavar separadamente, Não alvejar, Secar à máquina em temperatura baixa, Remover prontamente, Passar a ferro em baixa temperatura, Não usar amaciante, Não utilizar limpeza a seco	461	Crushed Blue
<b>Spanish</b>	Lavar a maquina con agua fría, en ciclo delicado, Lavar por separado, No usar lejía, Usar secadora a temperatura baja, Retirar inmediatamente, Planchar a temperatura baja, No usar suavizante de telas, No lavar en seco	467	Nocturnal
<b>Italian</b>	Lavare in lavatrice in acqua fredda, ciclo delicato, Lavare separatamente, Non candeggiare, Asciugare a tamburo a bassa temperatura, Rimuovere tempestivamente, Stirare con ferro a temperatura bassa, Non utilizzare ammorbidente, Non lavare a secco	597	Minuet
<b>Russian</b>	Щадящая машинная стирка в холодной воде, Стирать отдельно, Не отбеливать, Сушить при низкой температуре, Сразу убрать из сушилки, Гладить при низкой температуре, Не использовать кондиционер для тканей, Химчистка запрещена	852	Faded Peach
<b>Czech Republican</b>	Praní v pračce při nízké teplotě, jemný cyklus, Prát samostatně, Nebělit, Sušení v sušičce, nízká teplota, Ihned odepnout, Žehlení při nízké teplotě, Nepoužívat aviváž, Nečistit chemicky		
<b>Hebrew</b>	כביסה במכונה במים קרים, כביסה עדינה, לכבס בנפרד, לא להלבין, לייבש במייבש כביסה בחום נמוך, להסיר מיד, לגרוץ בחום נמוך, לא להשתמש במרכך כביסה, לא לנקות בניקוי יבש		
<b>Hungarian</b>	Géppel mossa, hideg vízzel, kímélő programmal, Különválasztva mossa, Ne hasznájon fehérítőt, Szárítógépben alacsony hőfokon szárítsa, Mosás után azonnal vegye ki a gépből, Alacsony hőfokon vasalja, Ne hasznájon öblítőszer, Ne vegytisztítsa		
<b>Polish</b>	Prac w temperaturze nie przekraczającej 30°C, cykl delikatny, Prac oddzielnie, Nie chlorować, Można suszyć bębnowo, niska temperatura, Natychmiast usunąć, Prasować w temperaturze do 100°C, Nie używać zmiękczacza do tkanin, Nie czyścić chemicznie		
<b>Portuguese Brazil</b>	Lavar à maquina com água fria, ciclo para roupas delicadas, Lavar separadamente, Não alvejar, Secar em tambor rotativo em temperatura baixa, Remover prontamente, Passar a ferro em baixa temperatura, Não usar amaciante, Não utilizar limpeza a seco		
<b>Slovakian</b>	Perte v pračce v studenej vode, šetriaci program, Perte oddelene, Neodfarbujte, Sušte v bubnovej sušičke pri nízkych otáčkach, Okamžite odstráňte, Žehlite žehličkou s nízkou teplotou, Nepoužívajte avivážne prípravky, Nečistite chemicky		
<b>Slovenian</b>	Nežno mrzlo strojno pranje, Prati posebej, Ne belite, Nizko strojno sušenje, Odstraniti takoj, Nizko likanje, Ne uporabljati mehčalca, Ne suho čistiti		
<b>Spanish Latin American</b>	Lavar a maquina con agua fría, en ciclo delicado, Lavar por separado, No usar blanqueador, Usar secadora a temperatura baja, Retirar inmediatamente, Planchar a temperatura baja, No usar suavizante de telas, No lavar en seco		
<b>Turkish</b>	Makinada Yikanır, Soğuk, Narin Program, Ayrı Yıkayın, Ağartıcı Kullanmayın, Tambur Kurutma, Düşük, Hemen Çıkarın, Düşük Isıda Ütüleyin, Çamaşır Yumuşatıcısı Kullanmayın, Kuru Temizleme Yapmayın		
<b>Chinese Simplified</b>	冷水慢循环机洗, 分开洗涤, 请勿漂白, 低温滚筒烘干, 及时拆除, 低温熨烫, 请勿使用织物柔软剂, 请勿干洗		
<b>Chinese Traditional</b>	冷水慢迴圈機洗, 分開洗滌, 請勿漂白, 低溫滾筒烘乾, 及時拆除, 低溫熨燙, 請勿使用織物柔軟劑, 請勿乾洗		
<b>Japanese</b>	洗濯機水洗い(デリケートコース), 個別に洗濯してください, 漂白剤使用不可, 乾燥機使用可(低温), すぐに外してください, アイロン可(低温), 柔軟剤の使用不可, ドライクリーニング不可		
<b>Korean</b>	, , 가, , , 가,		
<b>Danish</b>	Kold maskinvask, skåneprogram, Vask separat, Må ikke afbleges, Tør i tørretumbler, lav, Fjern med det samme, Stryges ved lav temperatur, Brug ikke skyllemiddel, Må ikke renses kemisk		

### Care Report

Line Slot: Bluefin Winds Camp Shirt  
 Merchandise Division: Sportswear  
 Designer: blange  
 Fit Engineer: ccheng

Merchandise Collection: Exclusive  
 Developer: ccheng

State: Production  
 Product Class: Woven Tops S/S  
 LO Developer: keerthis

Season: F25  
 Sourcing Manager: james.burnett

Design:	S8MS180430	Sample LO:		Production LO:	India		
Style	Material Style	Style Description	Pattern	Base Size	Size Scale	Fit	SMU Type
XM0692	1804301	Bluefin Winds™ Camp Shirt	M18M3034	M	XS - XXL	Regular	Carry Over



<b>Norwegian</b>	Maskinvask kald, forsiktig, Vaskes separat, Må ikke blekes, Tørketrommel, lav, Fjernes umiddelbart, Strykes lav temp., Ikke bruk tøymykner, Skal ikke renses
<b>Swedish</b>	Maskintvättas kallt mjuk cykel, Tvättas separat, Får inte blekas, Torktumlas på låg nivå, Ta bort omgående, Stryks på lägsta nivå, Sköljmedel får inte användas, Kemtvättas inte
<b>Dutch</b>	Koud wassen in wasmachine op zacht, Apart wassen, Niet bleken, In droger op laag, Meteen verwijderen, Op laag strijken, Geen wasverzachter gebruiken, Niet laten stomen
<b>French Canadian</b>	Laver à la machine à l'eau froide, cycle délicat, Laver séparément, Ne pas utiliser d'agent de blanchiment, Séchage par culbutage à basse température, Retirer aussitôt sec, Repasser à basse température, Ne pas utiliser d'assouplisseur, Ne pas nettoyer à sec





## Content Report

Line Slot: Bluefin Winds Camp Shirt	State: Production	Season: F25					
Merchandise Division: Sportswear	Merchandise Collection: Exclusive	Product Class: Woven Tops S/S					
Designer: blange	Developer: ccheng	LO Developer: keerthis					
Fit Engineer: ccheng		Sourcing Manager: james.burnett					
Design: S8MS180430	Sample LO:	Production LO: India					
Style XM0692	Material Style 1804301	Style Description Bluefin Winds™ Camp Shirt	Pattern M18M3034	Base Size M	Size Scale XS - XXL	Fit Regular	SMU Type Carry Over



CONTENT CODE: BVO		Color Way Number	Color Way Name
Shell: 100% Polyester			
Lining: 100% Polyester Exclusive of Trimming			
<b>FRENCH</b>	Extérieur: 100% Polyester	467	Nocturnal
	Doublure: 100% Polyester Sauf les bordures	101	White
		381	Smokey Sage
<b>GERMAN</b>	Außenhülle: 100% Polyester	461	Crushed Blue
	Futter: 100% Polyester Ohne Besatz	852	Faded Peach
<b>PORTUGUESE</b>	Exterior: 100% Poliéster	024	City Grey
	Revestimento: 100% Poliéster Sem orlas	597	Minuet
<b>SPANISH</b>	Cubierta: 100% Poliéster		
	Revestimiento: 100% Poliéster Exclusivo de los ribetes		
<b>ITALIAN</b>	Guscio esterno: 100% Poliestere		
	Fodera: 100% Poliestere Ad eccezione dei bordini		
<b>RUSSIAN</b>	Оболочка: 100% Полиэфир		
	Подклад: 100% Полиэфир Без дополнительных деталей		
<b>CZECH REPUBLICAN</b>	Skořepina: 100% Polyester		
	Podšívka: 100% Polyester Bez nášivek		
<b>HEBREW</b>	מעטפת חיצונית: בטנה:	100% פוליאסטר 100% פוליאסטר ללא קישוט	
<b>HUNGARIAN</b>	Külső: 100% Poliészter		
	Bélés: 100% Poliészter Szegélydíszen kívül		
<b>POLISH</b>	Powłoka: 100% Poliester		
	Podszewka: 100% Poliester Wyłączając naszywki		
<b>PORTUGUESE BRAZIL</b>	Exterior: 100% Poliéster		
	Forro: 100% Poliéster Sem adornos		
<b>SLOVAKIAN</b>	Plášť: 100% Polyester		
	Podšívka: 100% Polyester Okrem lemovania		
<b>SLOVENIAN</b>	Lupina: 100% Poliester		
	Podloga: 100% Poliester Brez obrezovanja		
<b>SPANISH LATIN AMERICAN</b>	Cubierta: 100% Poliéster		
	Revestimiento: 100% Poliéster Exclusivo de los ribetes		
<b>TURKISH</b>	Kabuk: 100% Polyester		
	Astar: 100% Polyester Süsler Hariç		

## Content Report

Line Slot: Bluefin Winds Camp Shirt  
 Merchandise Division: Sportswear  
 Designer: blange  
 Fit Engineer: ccheng

Merchandise Collection: Exclusive  
 Developer: ccheng

State: Production  
 Product Class: Woven Tops S/S  
 LO Developer: keerthis

Season: F25  
 Sourcing Manager: james.burnett

Design:	S8MS180430	Sample LO:		Production LO:	India		
Style	Material Style	Style Description	Pattern	Base Size	Size Scale	Fit	SMU Type
XM0692	1804301	Bluefin Winds™ Camp Shirt	M18M3034	M	XS - XXL	Regular	Carry Over



<b>CHINESE SIMPLIFIED</b>	<b>外壳:</b> 100% 聚酯 <b>衬里:</b> 100% 聚酯 不包括装饰品
<b>CHINESE TRADITIONAL</b>	<b>外殼:</b> 100% 聚酯 <b>襯裡:</b> 100% 聚酯 不包括裝飾品
<b>JAPANESE</b>	<b>シエル:</b> 100% ポリエステル <b>裏地:</b> 100% ポリエステル 装飾品を除く
<b>KOREAN</b>	: 100% : 100%
<b>DANISH</b>	<b>Skal:</b> 100% Polyester <b>Foring:</b> 100% Polyester Inkluderer ikke kant
<b>NORWEGIAN</b>	<b>Skall:</b> 100% Polyester <b>Foring:</b> 100% Polyester Eksklusiv trimming
<b>SWEDISH</b>	<b>Ytterdel:</b> 100% Polyester <b>Foder:</b> 100% Polyester Utan trimming
<b>DUTCH</b>	<b>Schelp:</b> 100% Polyester <b>Bekleding:</b> 100% Polyester Exclusief trimmen
<b>FRENCH CANADIAN</b>	<b>Extérieur:</b> 100% Polyester <b>Doublure:</b> 100% Polyester Exclut les bordures

### Pattern Piece Detail

Line Slot: Bluefin Winds Camp Shirt		State: Production	Season: F25				
Merchandise Division: Sportswear	Merchandise Collection: Exclusive	Product Class: Woven Tops S/S					
Designer: blange	Developer: ccheng	LO Developer: keerthis	Sourcing Manager: james.burnett				
Fit Engineer: ccheng							
Design: S8MS180430	Sample LO:	Production LO:	India				
Style XM0692	Material Style 1804301	Style Description Bluefin Winds™ Camp Shirt	Pattern M18M3034	Base Size M	Size Scale XS - XXL	Fit Regular	SMU Type Carry Over



#### M18M3034 -

Component	Quantity	Long Description	Abbreviation	Code
-----------	----------	------------------	--------------	------

This is confidential and proprietary information of Columbia Sportswear Company. You agree that you will not disclose this information to any third party or use it for any purpose other than on behalf of Columbia. You have no right to use Columbia's name or any of its trademarks, trade names, copyrights, patents, designs or other intellectual property except as set forth in writing by Columbia.

### Measurements

Line Slot: Bluefin Winds Camp Shirt  
 Merchandise Division: Sportswear  
 Designer: blange  
 Fit Engineer: ccheng

Merchandise Collection: Exclusive  
 Developer: ccheng

State: Production  
 Product Class: Woven Tops S/S  
 LO Developer: keerthis

Season: F25  
 Sourcing Manager: james.burnett



Design:	S8MS180430	Sample LO:		Production LO:	India				
Style	Material Style	Style Description	Pattern	Base Size	Size Scale	Fit	SMU Type		
XM0692	1804301	Bluefin Winds™ Camp Shirt	M18M3034	M	XS - XXL	Regular	Carry Over		

Sort Order	Use	Type	Placemen t	(+/-)	XS	S	M	L	XL	XXL	
Grade Rule: CSC Mens Woven Tops - XXS-XXL (M) - NT - Block: null											
1101.0	CHEST WIDTH - circumference - 1 inch down from armhole seam	QC	Graded		0.0	40.0	43.0	<b>46.0</b>	49.0	53.0	57.0
1600.0	SWEEP WIDTH - circumference - at top of vent	QC	Graded		0.0	40.0	43.0	<b>46.0</b>	49.0	53.0	57.0
2002.0	BACK BODY LENGTH - CB neck to edge of hem	QC	Graded		0.0	29.0	29.5	<b>30.0</b>	30.5	31.0	31.5
2203.0	SHOULDER WIDTH - Natural Shoulder - seam to seam	QC	Graded		0.0	17.5	18.5	<b>19.5</b>	20.5	21.75	23.0
2402.0	BACK YOKE HEIGHT - from CB neck seam		Graded		0.0	3.625	3.75	<b>3.875</b>	4.0	4.125	4.25
2601.0	SLEEVE LENGTH - Short Sleeve - CB neck to hem edge	QC	Graded		0.0	18.25	18.875	<b>19.5</b>	20.125	20.875	21.625
2722.0	SLEEVE WIDTH - circumference - 1 inch down from armhole seam	QC	Graded		0.0	17.875	18.625	<b>19.375</b>	20.125	21.125	22.125
3100.0	SLEEVE OPENING - short sleeve - circumference	QC	Graded		0.0	14.875	15.625	<b>16.375</b>	17.125	18.125	19.125
3460.0	NECK CIRCUMFERENCE - at center of collar stand - center of button to center of buttonhole	QC	Graded		0.0	16.0	17.0	<b>18.0</b>	19.0	20.0	21.0
3591.0	CENTER FRONT PLACKET WIDTH		Graded		0.0	1.25	1.25	<b>1.25</b>	1.25	1.25	1.25
3600.0	COLLAR LENGTH - at top	QC	Graded		0.0	16.5	17.5	<b>18.5</b>	19.5	20.5	21.5
3650.0	COLLAR HEIGHT - at CB	QC	Graded		0.0	1.875	1.875	<b>1.875</b>	1.875	1.875	1.875
3653.0	COLLAR STAND HEIGHT - at CB		Graded		0.0	1.25	1.25	<b>1.25</b>	1.25	1.25	1.25
3680.0	COLLAR POINT LENGTH		Graded		0.0	2.25	2.25	<b>2.25</b>	2.25	2.25	2.25

### Measurements

Line Slot: Bluefin Winds Camp Shirt		State: Production		Season: F25			
Merchandise Division: Sportswear		Merchandise Collection: Exclusive		Product Class: Woven Tops S/S			
Designer: blange		Developer: ccheng		LO Developer: keerthis			
Fit Engineer: ccheng				Sourcing Manager: james.burnett			
Design:	S8MS180430	Sample LO:		Production LO:	India		
Style	Material Style	Style Description	Pattern	Base Size	Size Scale	Fit	SMU Type
XM0692	1804301	Bluefin Winds™ Camp Shirt	M18M3034	M	XS - XXL	Regular	Carry Over



Sort Order		Use	Type	Placemen t	(+/-)	XS	S	M	L	XL	XXL
6501.0	CHEST POCKET WIDTH		Varies By Style		0.125	4.25	4.5	<b>4.75</b>	4.75	5.0	5.0
6502.0	CHEST POCKET HEIGHT		Varies By Style		0.125	5.0	5.25	<b>5.5</b>	5.5	5.75	5.75
6950.0	SIDE SEAM VENT LENGTH		Varies By Style		0.125	2.0	2.0	<b>2.0</b>	2.0	2.0	2.0
930.0	Drawcord-Cording-Laces 1		Component		0.0	1.5	1.5	<b>1.5</b>	1.5	1.5	1.5

This is confidential and proprietary information of Columbia Sportswear Company. You agree that you will not disclose this information to any third party or use it for any purpose other than on behalf of Columbia. You have no right to use Columbia's name or any of its trademarks, trade names, copyrights, patents, designs or other intellectual property except as set forth in writing by Columbia.

### Thumbnail

Line Slot: Bluefin Winds Camp Shirt  
 Merchandise Division: Sportswear  
 Designer: blange  
 Fit Engineer: ccheng

Merchandise Collection: Exclusive  
 Developer: ccheng

State: Production  
 Product Class: Woven Tops S/S  
 LO Developer: keerthis

Season: F25  
 Sourcing Manager: james.burnett

Design: S8MS180430  
 Style Material Style  
 XM0692 1804301

Sample LO:  
 Style Description Pattern  
 Bluefin Winds™ M18M3034  
 Camp Shirt

Production LO: India  
 Base Size Size Scale  
 M XS - XXL

Fit SMU Type  
 Regular Carry Over



This is confidential and proprietary information of Columbia Sportswear Company. You agree that you will not disclose this information to any third party or use it for any purpose other than on behalf of Columbia. You have no right to use Columbia's name or any of its trademarks, trade names, copyrights, patents, designs or other intellectual property except as set forth in writing by Columbia.

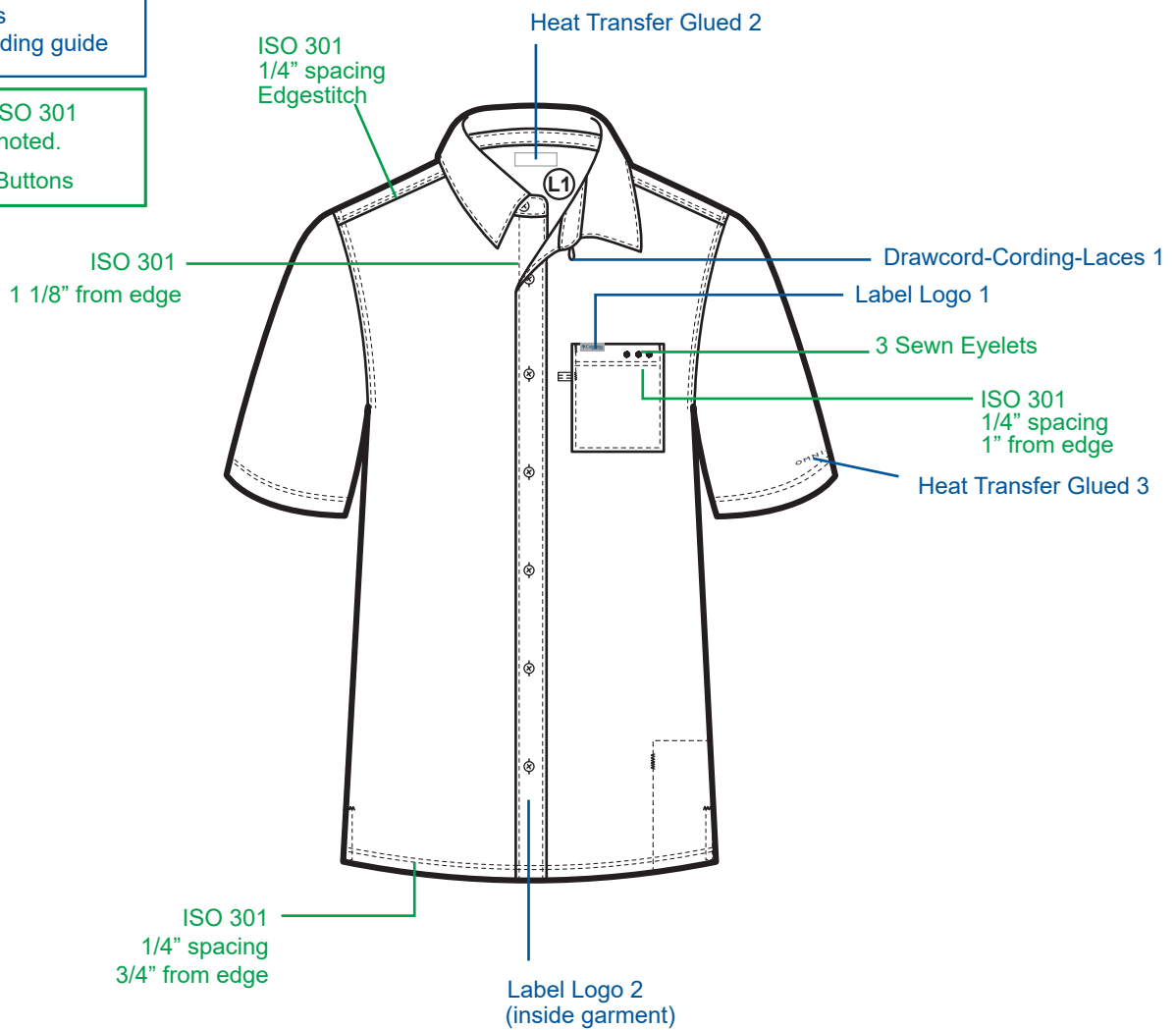
## Technical

Line Slot: Bluefin Winds Camp Shirt		State: Production		Season: F25			
Merchandise Division: Sportswear	Merchandise Collection: Exclusive	Product Class: Woven Tops S/S					
Designer: blange	Developer: ccheng	LO Developer: keerthis	Sourcing Manager: james.burnett				
Fit Engineer: ccheng							
Design: S8MS180430	Sample LO:	Production LO:	India				
Style XM0692	Material Style 1804301	Style Description Bluefin Winds™ Camp Shirt	Pattern M18M3034	Base Size M	Size Scale XS - XXL	Fit Regular	SMU Type Carry Over



**Last Updated:** 07.19.24 BL  
\*All Shell ① unless Indicated

- Interfacing 1: As needed
  - Button 1: All buttons
  - Labels: Follow branding guide
- 
- All Topstitching is ISO 301 Edgestitch unless noted.
  - Use X stitch on all Buttons

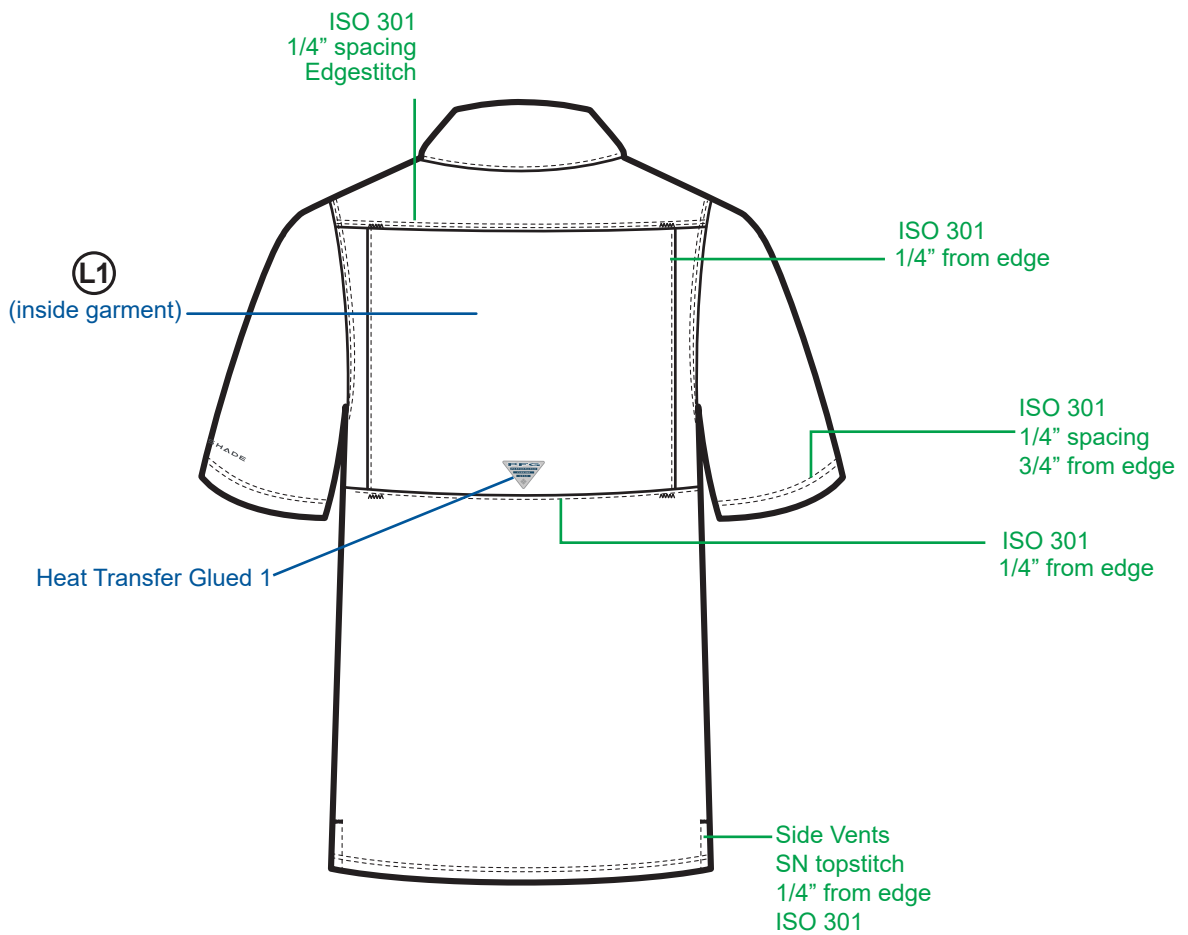


## Technical

Line Slot: Bluefin Winds Camp Shirt		State: Production	Season: F25
Merchandise Division: Sportswear	Merchandise Collection: Exclusive	Product Class: Woven Tops S/S	
Designer: blange	Developer: ccheng	LO Developer: keerthis	Sourcing Manager: james.burnett
Fit Engineer: ccheng			



Design:	S8MS180430	Sample LO:	Production LO:	India			
Style	Material Style	Style Description	Pattern	Base Size	Size Scale	Fit	SMU Type
XM0692	1804301	Bluefin Winds™ Camp Shirt	M18M3034	M	XS - XXL	Regular	Carry Over





### Technical

Line Slot: Bluefin Winds Camp Shirt      State: Production      Season: F25  
 Merchandise Division: Sportswear      Merchandise Collection: Exclusive      Product Class: Woven Tops S/S  
 Designer: blange      Developer: ccheng      LO Developer: keerthis      Sourcing Manager: james.burnett  
 Fit Engineer: ccheng

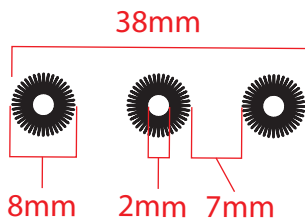
Design: S8MS180430      Sample LO:      Production LO: India

Style	Material Style	Style Description	Pattern	Base Size	Size Scale	Fit	SMU Type
XM0692	1804301	Bluefin Winds™ Camp Shirt	M18M3034	M	XS - XXL	Regular	Carry Over

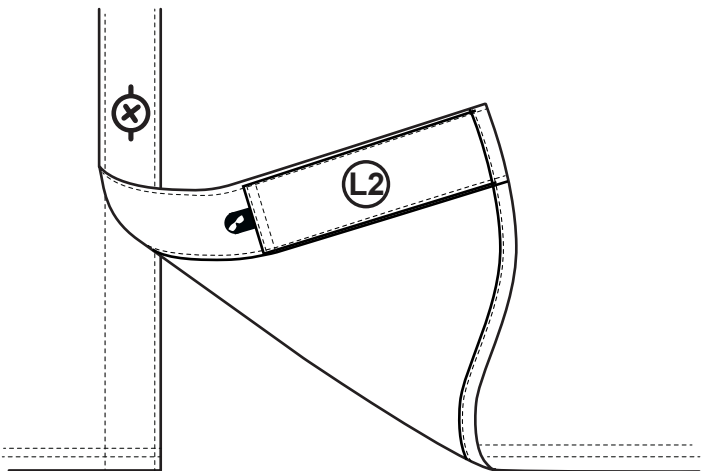


Last Updated: 07.19.24 BL

### 3 EYELET CONSTRUCTION



### SUNGLASS CLEANER PATCH CONSTRUCTION



### Technical

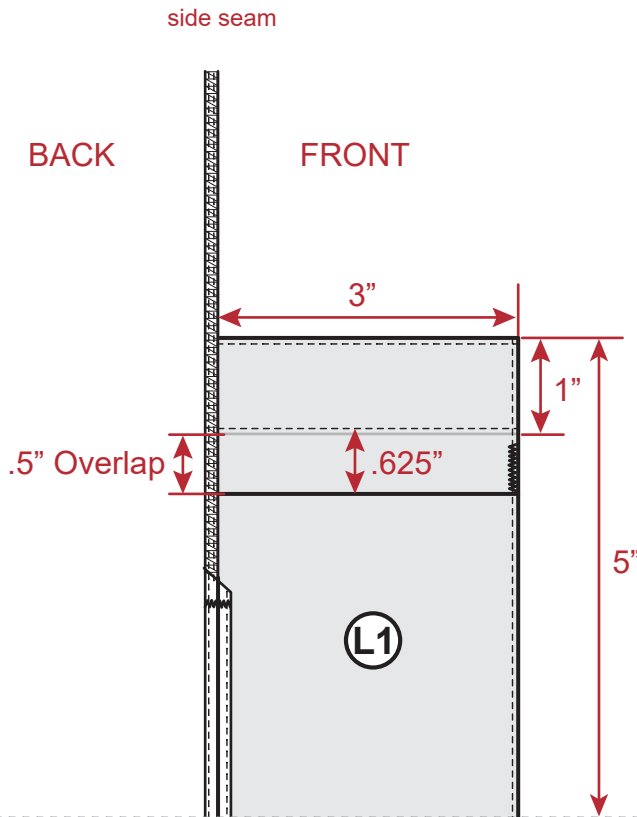
Line Slot: Bluefin Winds Camp Shirt      State: Production      Season: F25  
 Merchandise Division: Sportswear      Merchandise Collection: Exclusive      Product Class: Woven Tops S/S  
 Designer: blange      Developer: ccheng      LO Developer: keerthis      Sourcing Manager: james.burnett  
 Fit Engineer: ccheng

Design: S8MS180430      Sample LO:      Production LO: India

Style	Material Style	Style Description	Pattern	Base Size	Size Scale	Fit	SMU Type
XM0692	1804301	Bluefin Winds™ Camp Shirt	M18M3034	M	XS - XXL	Regular	Carry Over



### INTERIOR POCKET WITH VENT Stitched into left side seam and clean finished



**\*\*\*FOLLOW FRONT AND BACK SKETCH  
 FOR HEM SHAPE & FINISH WIDTH \*\*\***



This is confidential and proprietary information of Columbia Sportswear Company. You agree that you will not disclose this information to any third party or use it for any purpose other than on behalf of Columbia. You have no right to use Columbia's name or any of its trademarks, trade names, copyrights, patents, designs or other intellectual property except as set forth in writing by Columbia.

# Hangtag Package Report

Apparel Style: XM0692

Season: F25

Brand: Columbia

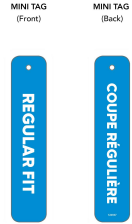
Merchandise Category: Sportswear

Merchandiser: dabaldwin

Line Slot: Bluefin Winds Camp Shirt

Sort Order: 0.0 Part: 126967 - Regular Fit Swing Tag  
 Instruction: Swing tag to be placed on top of cover tag on same plastic stringer.

SKU	Color	Name	Effective Date
OP1490984	126967	OP1490984_126967_MT_Regular Fit	10-18-23



SKU	Color	Name	Effective Date
Process Bar / Pieces Blue	126967	126967	
25" x 13" / 1056mm x 88.9mm		Apex/Cut Coding Str Cut Strv pouch	



Sort Order: 1.0 Part: 111006 - PFG Omni-Shade UPF 50, Omni-Wick Hangtag  
 Instruction: "(FOR TOPS W/CF BUTTONS)  
 HANG TAG TO BE PLACED ON 5" CIRCULAR SWIFT TACK AT 2ND BUTTON HOLE FROM TOP(OMNI-TECH,OMNI-SHADE,OMNI-SHIELD)"

SKU	Color	Name	Effective Date
OP732223	111006	OP732223_111006_CT_PFG_OmniShade UPF50_OmniWick	09-26-22



SKU	Color	Name	Effective Date
Process Bar / K	111006	111006	
2.88" x 6.67" / 72.88mm x 168.30mm		Apex/Cut Coding Str Cut Strv Pouch	



Sort Order: 3.0 Part: 123130 - UPC/Pricing with RFID Sticker for Outlet  
 Instruction:

SKU	Color	Name	Effective Date
6/A	123130	PDM_123130_RFID UPC Sticker with MAP for Outlet_20230323	03-13-24



SKU	Color	Name	Effective Date
Black	123130	White Out Hole Sticker Stock	
1.985" x 1.625" / 50mm x 41mm		Diecut, Adhesive Perforated On one from bottom side	

