

Related Styles

Line Slot: Weston Pass II Flannel	State: Production	Season: F24
Merchandise Division: Sportswear	Merchandise Collection: Exclusive	Product Class: Woven Tops L/S
Designer: jason.kissner	Developer: jamie.provencio	LO Developer: keerthis
Fit Engineer: ccheng		Sourcing Manager: james.burnett



Design:	FOMS192304	Sample LO:	Production LO:	India			
Style	Material Style	Style Description	Pattern	Base Size	Size Scale	Fit	SMU Type
XO1447	1923042	Weston Pass™ II Flannel	M20M7581	M	XXS - XXL	Active	Carry Over, Tag On

Style	Material Style	Style Description	Design	Pattern	Base Size	Size Scale	Sample LO	Production LO
XM1447	1923041	Weston Pass™ II Flannel	FOMS192304	M20M7573	M	XXS - XXL		India

This is confidential and proprietary information of Columbia Sportswear Company. You agree that you will not disclose this information to any third party or use it for any purpose other than on behalf of Columbia. You have no right to use Columbia's name or any of its trademarks, trade names, copyrights, patents, designs or other intellectual property except as set forth in writing by Columbia.

Part Specifications with Approved Suppliers

Line Slot: Weston Pass II Flannel State: Production Season: F24
 Merchandise Division: Sportswear Merchandise Collection: Exclusive Product Class: Woven Tops L/S
 Designer: jason.kissner Developer: jamie.provencio LO Developer: keerthis Sourcing Manager: james.burnett
 Fit Engineer: ccheng

Design: F0MS192304 Sample LO: Production LO: India Vendor Master INDIA Vendor Master INDIA
 Production LO: Sourcing LO:
 Style Material Style Style Description Pattern Base Size Size Scale Fit SMU Type
 XO1447 1923042 Weston Pass™ II Flannel M20M7581 M XXS - XXL Active Carry Over, Tag On



Number	Description	UM	Fiber Content	Fiber Content Back	Material Coating	Material Finish (Face)	Material Laminate	Trim Specific	Supplier Art No	Country of Origin	Standard Cost (FOB)	Purchase Cost (CIF)	Product on Lead Time with Greige	Product on Lead Time without Greige	
Fabric															
127740	F24 M SW SRT Woven YD on Base 098591 AP0011916	yd	97% Cotton, 3% Elastane	unassigned	MaterialCoatingNone	Wicking, Brushed (Tech back), Brushed (Tech face)	MaterialLaminateNone								
Vardhman Mills		Fabric Width: 53.0 in Width Type: cuttable Primary Weight: 165.0 g/m2								098591 AP0011916	India	2.19	0.0	65	85
113365	F21 SRT SW YD on Base 098591 AP 8995	yd	97% Cotton, 3% Elastane	unassigned	MaterialCoatingNone	Wicking, Brushed (Tech Back), Brushed (Tech Face)	MaterialLaminateNone								
Far East Corporation		Fabric Width: 52.0 in Width Type: cuttable Primary Weight: 160.0 g/m2								098591	China	2.43	0.0	48	48
Vardhman Mills		Fabric Width: 53.0 in Width Type: cuttable Primary Weight: 165.0 g/m2								A121A021-HKC	India	2.64	0.0	65	65
011952	Interlining Non-Woven Fusible Light Weight for Garment Wash	yd	100% Polyester	unassigned	unassigned	unassigned	unassigned								
Freudenberg-Hong Kong		Fabric Width: 35.0 in Width Type: cuttable Primary Weight: 37.0 g/m2								AP48	Taiwan	0.38	0.0	7	14
MaxBond		Fabric Width: 48.0 in Width Type: cuttable Primary Weight: 37.0 g/m2								UD9927	Vietnam	0.33	0.0	10	20
PCC asia LLC		Fabric Width: 60.0 in Width Type: cuttable Primary Weight: 0.0 g/m2								CL700	China	0.38	0.0	14	21
Trim															
097383	20L DEBOSSSED COLUMBIA TWO TONE (LIKE 001601) LOW PROFILE Plastic BUTTON (SHAPE LIKE 056644)	ea	100% Polyester	unassigned	unassigned	unassigned	unassigned	Size UM: ligne							
Unitex International Button Accessories Ltd									097383	China	0.0161	0.0	35	50	
Jindal Buttons - India									20L-NLF-96871	unassigned	0.0066	0.0	15	21	
BANGALORE SALES CORPORATION									097383	India	0.0079	0.0	15	25	
Gritti Vietnam Co. Ltd.									P.57385	Vietnam	0.0173	0.0	30	30	
053345	51.2mm Omni Wick B Embroidery 1 clr	ea	unassigned	unassigned	unassigned	unassigned	unassigned	Size UM: mm							
FGV Sourced									053345	unassigned	0.0	0.0	0	0	
036631	35mm Gem Columbia B Accent flat label 2 clr	ea	100% Recycled Polyester	unassigned	unassigned	unassigned	unassigned	Size UM: mm							

Part Specifications with Approved Suppliers

Line Slot: Weston Pass II Flannel State: Production Season: F24
 Merchandise Division: Sportswear Merchandise Collection: Exclusive Product Class: Woven Tops L/S
 Designer: jason.kissner Developer: jamie.provencio LO Developer: keerthis Sourcing Manager: james.burnett
 Fit Engineer: ccheng



Design: F0MS192304 Sample LO: Production LO: India Vendor Master: INDIA Vendor Master: INDIA
 Production LO: Production LO: Sourcing LO: Sourcing LO:
 Style Material Style Style Description Pattern Base Size Size Scale Fit SMU Type
 XO1447 1923042 Weston Pass™ II Flannel M20M7581 M XXS - XXL Active Carry Over, Tag On

Number	Description	UM	Fiber Content	Fiber Content Back	Material Coating	Material Finish (Face)	Material Laminate	Trim Specific	Supplier Art No	Country of Origin	Standard Cost (FOB)	Purchase Cost (CIF)	Product on Lead Time with Greige	Product on Lead Time without Greige
Nexgen Packaging Global									036631	China	0.0089	0.0	21	28
Finotex El Salvador									036631	El Salvador	0.018	0.018	21	28
Avery Dennison Global									036631	unassigned	0.00941	0.0	30	30
113673	35mm Woven End-Fold Fit Label for Tops	ea	100% Recycled Polyester	unassigned	unassigned	unassigned	unassigned	Size UM: mm						
Avery Dennison Global									113673	unassigned	0.01213	0.0	30	30
008214	Coats ASTRA Spun Polyester Tex 27 40/2	meter	100% Polyester	unassigned	unassigned	unassigned	unassigned	Size UM: tex						
Coats Global Thread									8754120	unassigned	0.0003	0.0	0	0
059199	40mm CSC Main /International ECO Size Woven Loop Label 3 clr	ea	100% Recycled Polyester	unassigned	unassigned	unassigned	unassigned	Size UM: mm						
Avery Dennison Global									059199	China	0.05219	0.0	30	30
Dong Young									DY-59199	South Korea	0.0495	0.0	25	25
Manohar Filaments									23/11813/5	India	0.04	0.0	14	30
006564	33mm Care Content ECO Booklet Fold label with fully translated country of origin WHT/BLK for most, BLK/WHT for Titanium only, GRY/BLK is for Garment DYE ONLY	ea	100% Recycled Polyester	unassigned	unassigned	unassigned	unassigned	Size UM: mm						
Dong Young									DY-006564	South Korea	0.038	0.0	15	15
Avery Dennison Global									S2088861-8	China	0.01905	0.0	30	30
Bao Shen (Apparel)									YL151100030 PS7530A5	unassigned	0.019	0.0	7	21
Nexgen Packaging Global									006564	unassigned	0.0221	0.0	21	28
097043	Columbia Omni-Wick Hangtag	ea	unassigned	unassigned	unassigned	unassigned	unassigned	Size UM: cm						
Hang Sang Press Co. Ltd									n/a	unassigned	0.0273	0.0	0	0
Finotex El Salvador									n/a	unassigned	0.034	0.0	21	28
123130	UPC/Pricing with RFID Sticker for Outlet	ea	unassigned	unassigned	unassigned	unassigned	unassigned	Size UM: cm						
126966	Active Fit Swing Tag	ea	unassigned	unassigned	unassigned	unassigned	unassigned	Size UM: in						
Hang Sang Press Co. Ltd									n/a	unassigned	0.023	0.0	0	0
126967	Regular Fit Swing Tag	ea	unassigned	unassigned	unassigned	unassigned	unassigned	Size UM: in						

Color BOM

Line Slot: Weston Pass II Flannel State: Production Season: F24
 Merchandise Division: Sportswear Merchandise Collection: Exclusive Product Class: Woven Tops L/S
 Designer: jason.kissner Developer: jamie.provencio LO Developer: keerthis Sourcing Manager: james.burnett
 Fit Engineer: ccheng

Design: F0MS192304 Sample LO: Production LO: India
 Style Material Style Style Description Pattern Base Size Size Scale Fit SMU Type
 XO1447 1923042 Weston Pass™ II M20M7581 M XXS - XXL Active Carry Over, Tag On



Component	Details	Placement	Usage	Width	Marker Width	025-City Grey Dimensional Buffalo	414-Night Wave Dimensional Buffalo	415-Night Wave Buffalo Check	460-Stone Blue Buffalo Check	479-Dark Mountain Dimensional Buffalo
SAP Material Code						1923041025 1923042025	1923041414 1923042414	1923042415 1923041415	1923042460 1923041460	1923042479 1923041479
SMU Accounts						Outlet Stores, Retail Outlet Store, Retail Outlet Stores	Outlet Stores, Retail Outlet Store, Retail Outlet Stores	Outlet Stores, Retail Outlet Store, Retail Outlet Stores	Outlet Stores, Retail Outlet Store, Retail Outlet Stores	Outlet Stores, Retail Outlet Store, Retail Outlet Stores
Shell 1	127740 F24 M SW SRT Woven YD on Base 098591 AP0011916 Flannel 97% Cotton, 3% Elastane 74 X54 21 X 20 SPX(70D) Wicking, Brushed (Tech back), Brushed (Tech face) MaterialCoatingNone MaterialLaminateNone 165.0 g/m2 Yarn Dye NA	Demensional Buffalo	2.17 yd	53.0	0	City Grey	Night Wave	None	None	Dark Mountain
Alt Shell 1A	113365 F21 SRT SW YD on Base 098591 AP 8995 Flannel 97% Cotton, 3% Elastane 74 X 54 21 X 20 SPX(70D) Wicking, Brushed (Tech Back), Brushed (Tech Face) MaterialCoatingNone MaterialLaminateNone 165.0 g/m2 Yarn Dye NA	Buffalo Check	2.17 yd	53.0	0	None	None	night wave	Stone Blue	None
Interfacing 1	011952 Interlining Non-Woven Fusible Light Weight for Garment Wash Interlining 100% Polyester 0.0 g/m2		0.24 yd	60.0	0	White	White	White	White	White

Color BOM

Line Slot: Weston Pass II Flannel State: Production Season: F24
 Merchandise Division: Sportswear Merchandise Collection: Exclusive Product Class: Woven Tops L/S
 Designer: jason.kissner Developer: jamie.provencio LO Developer: keerthis Sourcing Manager: james.burnett
 Fit Engineer: ccheng

Design: F0MS192304 Sample LO: Production LO: India
 Style Material Style Style Description Pattern Base Size Size Scale Fit SMU Type
 XO1447 1923042 Weston Pass™ II Flannel M20M7581 M XXS - XXL Active Carry Over, Tag On



Component	Details	Placement	Usage	Width	Marker Width	025-City Grey Dimensional Buffalo	414-Night Wave Dimensional Buffalo	415-Night Wave Buffalo Check	460-Stone Blue Buffalo Check	479-Dark Mountain Dimensional Buffalo
SAP Material Code						1923041025 1923042025	1923041414 1923042414	1923042415 1923041415	1923042460 1923041460	1923042479 1923041479
Button 1	097383 20L DEBOSSSED COLUMBIA TWO TONE (LIKE 001601) LOW PROFILE Plastic BUTTON (SHAPE LIKE 056644)		15 ea	0.0	0	City Grey	Delta	Night Wave	Curry	Tusk
Direct Embroidery 1	053345 51.2mm Omni Wick B Embroidery 1 clr		1 ea	0.0	0	Columbia Grey	Grill	Grill	Grill	Columbia Grey
Label Logo 1	036631 35mm Gem Columbia B Accent flat label 2 clr		1 ea	0.0	0	Grill, Columbia Grey	Grill, Columbia Grey	Grill, Columbia Grey	Grill, Columbia Grey	Columbia Grey, Grill
Label Logo 2	113673 35mm Woven End-Fold Fit Label for Tops		1 ea	0.0	0	Grill, Columbia Grey	Grill, Columbia Grey	Grill, Columbia Grey	Grill, Columbia Grey	Grill, Columbia Grey
Thread 1	008214 Coats ASTRA Spun Polyester Tex 27 40/2		224 meter	0.0	0	City Grey	Delta	Night Wave	Curry	Tusk
Thread 2	008214 Coats ASTRA Spun Polyester Tex 27 40/2	CF bottom button hole and button stitch	1 meter	0.0	0	City Grey	Delta	Night Wave	Curry	Tusk
Label 1	059199 40mm CSC Main /International ECO Size Woven Loop Label 3 clr		1 ea	0.0	0	White, Columbia Grey, Compass Blue	White, Columbia Grey, Compass Blue	White, Columbia Grey, Compass Blue	White, Columbia Grey, Compass Blue	White, Columbia Grey, Compass Blue
Label 2	006564 33mm Care Content ECO Booklet Fold label with fully translated country of origin WHT/BLK for most, BLK/WHT for Titanium only, GRY/BLK is for Garment DYE ONLY		1 ea	0.0	0	White, Black	White, Black	White, Black	White, Black	White, Black
Hangtag Package Part	097043 Columbia Omni-Wick Hangtag Part		1 ea	0.0	0	Artwork	Artwork	Artwork	Artwork	Artwork
Hangtag Package Part	123130 UPC/Pricing with RFID Sticker for Outlet		1 ea	0.0	0	Artwork	Artwork	Artwork	Artwork	Artwork

Color BOM

Line Slot: Weston Pass II Flannel	State: Production	Season: F24
Merchandise Division: Sportswear	Merchandise Collection: Exclusive	Product Class: Woven Tops L/S
Designer: jason.kissner	Developer: jamie.provencio	LO Developer: keerthis
Fit Engineer: ccheng		Sourcing Manager: james.burnett
Design: FOMS192304	Sample LO:	Production LO: India
Style Material Style	Style Description	Pattern
XO1447	1923042	Weston Pass™ II Flannel
		M
		XXS - XXL
		Active
		SMU Type
		Carry Over, Tag On



Component	Details	Placement	Usage	Width	Marker Width	025-City Grey Dimensional Buffalo	414-Night Wave Dimensional Buffalo	415-Night Wave Buffalo Check	460-Stone Blue Buffalo Check	479-Dark Mountain Dimensional Buffalo
SAP Material Code						1923041025	1923041414	1923042415	1923042460	1923042479
						1923042025	1923042414	1923041415	1923041460	1923041479
Hangtag Package Part	126966 Active Fit Swing Tag		1 ea	0.0	0	Artwork	Artwork	Artwork	Artwork	Artwork
Packaging 1	980001 Polybag See Standard CCS 4200 for specifications		1 ea	0.0	0	Stock	Stock	Stock	Stock	Stock
Packaging 2	980010 UPC Bag Sticker Generic (MHW/Columbia) See CCS4400/ 4401 and MHW4402 for Mt Hardwear for instructions		1 ea	0.0	0	Artwork	Artwork	Artwork	Artwork	Artwork
Packaging 3	064194 Outer Carton for costing purpose only		1 ea	0.0	0	Stock	Stock	Stock	Stock	Stock

Color BOM

Line Slot: Weston Pass II Flannel State: Production Season: F24
 Merchandise Division: Sportswear Merchandise Collection: Exclusive Product Class: Woven Tops L/S
 Designer: jason.kissner Developer: jamie.provencio LO Developer: keerthis Sourcing Manager: james.burnett
 Fit Engineer: ccheng



Design: F0MS192304 Sample LO: Production LO: India
 Style Material Style Style Description Pattern Base Size Size Scale Fit SMU Type
 XO1447 1923042 Weston Pass™ II Flannel M20M7581 M XXS - XXL Active Carry Over, Tag On

Component	Details	Placement	Usage	Width	Marker Width	480-Dark Mountain Buffalo Check	615-Tapestry Dimensional Buffalo
SAP Material Code						1923041480 1923042480	1923041615 1923042615
SMU Accounts						Outlet Stores, Retail Outlet Store, Retail Outlet Stores	Outlet Stores, Retail Outlet Store, Retail Outlet Stores
Shell 1	127740 F24 M SW SRT Woven YD on Base 098591 AP0011916 Flannel 97% Cotton, 3% Elastane 74 X54 21 X 20 SPX(70D) Wicking, Brushed (Tech back), Brushed (Tech face) MaterialCoatingNone MaterialLaminateNone 165.0 g/m2 Yarn Dye NA	Dimensional Buffalo	2.17 yd	53.0	0	None	Tapestry
Alt Shell 1A	113365 F21 SRT SW YD on Base 098591 AP 8995 Flannel 97% Cotton, 3% Elastane 74 X 54 21 X 20 SPX(70D) Wicking, Brushed (Tech Back), Brushed (Tech Face) MaterialCoatingNone MaterialLaminateNone 165.0 g/m2 Yarn Dye NA	Buffalo Check	2.17 yd	53.0	0	Dark Mountain	None
Interfacing 1	011952 Interlining Non-Woven Fusible Light Weight for Garment Wash Interlining 100% Polyester 0.0 g/m2		0.24 yd	60.0	0	White	White
Button 1	097383 20L DEBOSSSED COLUMBIA TWO TONE (LIKE 001601) LOW PROFILE Plastic BUTTON (SHAPE LIKE 056644)		15 ea	0.0	0	Bluestone	Tapestry
Direct Embroidery 1	053345 51.2mm Omni Wick B Embroidery 1 clr		1 ea	0.0	0	Columbia Grey	Black

Color BOM

Line Slot: Weston Pass II Flannel	State: Production	Season: F24
Merchandise Division: Sportswear	Merchandise Collection: Exclusive	Product Class: Woven Tops L/S
Designer: jason.kissner	Developer: jamie.provencio	LO Developer: keerthis
Fit Engineer: ccheng		Sourcing Manager: james.burnett
Design: F0MS192304	Sample LO:	Production LO: India
Style Material Style	Style Description	Pattern
XO1447	1923042	Weston Pass™ II Flannel
		M
		XXS - XXL
		Active
		SMU Type
		Carry Over, Tag On



Component	Details	Placement	Usage	Width	Marker Width	480-Dark Mountain Buffalo Check	615-Tapestry Dimensional Buffalo
SAP Material Code						1923041480	1923041615
						1923042480	1923042615
Label Logo 1	036631 35mm Gem Columbia B Accent flat label 2 clr		1 ea	0.0	0	Columbia Grey, Grill	Black, White
Label Logo 2	113673 35mm Woven End-Fold Fit Label for Tops		1 ea	0.0	0	Grill, Columbia Grey	Grill, Columbia Grey
Thread 1	008214 Coats ASTRA Spun Polyester Tex 27 40/2		224 meter	0.0	0	Bluestone	Tapestry
Thread 2	008214 Coats ASTRA Spun Polyester Tex 27 40/2	CF bottom button hole and button stitch	1 meter	0.0	0	Bluestone	Tapestry
Label 1	059199 40mm CSC Main /International ECO Size Woven Loop Label 3 clr		1 ea	0.0	0	White, Columbia Grey, Compass Blue	White, Columbia Grey, Compass Blue
Label 2	006564 33mm Care Content ECO Booklet Fold label with fully translated country of origin WHT/BLK for most, BLK/WHT for Titanium only, GRY/BLK is for Garment DYE ONLY		1 ea	0.0	0	White, Black	White, Black
Hangtag Package Part	097043 Columbia Omni-Wick Hangtag		1 ea	0.0	0	Artwork	Artwork
Hangtag Package Part	123130 UPC/Pricing with RFID Sticker for Outlet		1 ea	0.0	0	Artwork	Artwork
Hangtag Package Part	126966 Active Fit Swing Tag		1 ea	0.0	0	Artwork	Artwork
Packaging 1	980001 Polybag See Standard CCS 4200 for specifications		1 ea	0.0	0	Stock	Stock
Packaging 2	980010 UPC Bag Sticker Generic (MHW/Columbia) See CCS4400/ 4401 and MHW4402 for Mt Hardwear for instructions		1 ea	0.0	0	Artwork	Artwork
Packaging 3	064194 Outer Carton for costing purpose only		1 ea	0.0	0	Stock	Stock

This is confidential and proprietary information of Columbia Sportswear Company. You agree that you will not disclose this information to any third party or use it for any purpose other than on behalf of Columbia. You have no right to use Columbia's name or any of its trademarks, trade names, copyrights, patents, designs or other intellectual property except as set forth in writing by Columbia.

Colorless BOM

Line Slot: Weston Pass II Flannel State: Production Season: F24
 Merchandise Division: Sportswear Merchandise Collection: Exclusive Product Class: Woven Tops L/S
 Designer: jason.kissner Developer: jamie.provencio LO Developer: keerthis Sourcing Manager: james.burnett
 Fit Engineer: ccheng
 Design: F0MS192304 Sample LO: Production LO: India
 Style Material Style Style Description Pattern Base Size Size Scale Fit SMU Type
 XO1447 1923042 Weston Pass™ II Flannel M20M7581 M XXS - XXL Active Carry Over, Tag On



Component	Details	Placement	Usage	Width	Marker Width
SAP Material Code					
Shell 1	127740 F24 M SW SRT Woven YD on Base 098591 AP0011916 Flannel 97% Cotton, 3% Elastane 74 X54 21 X 20 SPX(70D) Wicking, Brushed (Tech back), Brushed (Tech face) MaterialCoatingNone MaterialLaminateNone 165.0 g/m2 Yarn Dye NA	Dimensional Buffalo	2.17 yd	53.0	0
Alt Shell 1A	113365 F21 SRT SW YD on Base 098591 AP 8995 Flannel 97% Cotton, 3% Elastane 74 X 54 21 X 20 SPX(70D) Wicking, Brushed (Tech Back), Brushed (Tech Face) MaterialCoatingNone MaterialLaminateNone 165.0 g/m2 Yarn Dye NA	Buffalo Check	2.17 yd	53.0	0
Interfacing 1	011952 Interlining Non-Woven Fusible Light Weight for Garment Wash Interlining 100% Polyester 0.0 g/m2		0.24 yd	60.0	0
Button 1	097383 20L DEBOSSSED COLUMBIA TWO TONE (LIKE 001601) LOW PROFILE Plastic BUTTON (SHAPE LIKE 056644)		15 ea	0.0	0
Direct Embroidery 1	053345 51.2mm Omni Wick B Embroidery 1 clr		1 ea	0.0	0
Label Logo 1	036631 35mm Gem Columbia B Accent flat label 2 clr		1 ea	0.0	0
Label Logo 2	113673 35mm Woven End-Fold Fit Label for Tops		1 ea	0.0	0
Thread 1	008214 Coats ASTRA Spun Polyester Tex 27 40/2		224 meter	0.0	0
Thread 2	008214 Coats ASTRA Spun Polyester Tex 27 40/2	CF bottom button hole and button stitch	1 meter	0.0	0
Label 1	059199 40mm CSC Main /International ECO Size Woven Loop Label 3 clr		1 ea	0.0	0
Label 2	006564 33mm Care Content ECO Booklet Fold label with fully translated country of origin WHT/BLK for most, BLK/WHT for Titanium only, GRY/BLK is for Garment DYE ONLY		1 ea	0.0	0
Hangtag Package Part	097043 Columbia Omni-Wick Hangtag		1 ea	0.0	0
Hangtag Package Part	123130 UPC/Pricing with RFID Sticker for Outlet		1 ea	0.0	0

Colorless BOM

Line Slot: Weston Pass II Flannel State: Production Season: F24
 Merchandise Division: Sportswear Merchandise Collection: Exclusive Product Class: Woven Tops L/S
 Designer: jason.kissner Developer: jamie.provencio LO Developer: keerthis Sourcing Manager: james.burnett

Fit Engineer: ccheng

Design: F0MS192304 Sample LO: Production LO: India

Style	Material Style	Style Description	Pattern	Base Size	Size Scale	Fit	SMU Type
XO1447	1923042	Weston Pass™ II Flannel	M20M7581	M	XXS - XXL	Active	Carry Over, Tag On



Component	Details	Placement	Usage	Width	Marker Width
SAP Material Code					
Hangtag Package Part	126966 Active Fit Swing Tag		1 ea	0.0	0
Packaging 1	980001 Polybag See Standard CCS 4200 for specifications		1 ea	0.0	0
Packaging 2	980010 UPC Bag Sticker Generic (MHW/Columbia) See CCS4400/ 4401 and MHW4402 for Mt Hardware for instructions		1 ea	0.0	0
Packaging 3	064194 Outer Carton for costing purpose only		1 ea	0.0	0

This is confidential and proprietary information of Columbia Sportswear Company. You agree that you will not disclose this information to any third party or use it for any purpose other than on behalf of Columbia. You have no right to use Columbia's name or any of its trademarks, trade names, copyrights, patents, designs or other intellectual property except as set forth in writing by Columbia.

Color Specification

Line Slot: Weston Pass II Flannel State: Production Season: F24
 Merchandise Division: Sportswear Merchandise Collection: Exclusive Product Class: Woven Tops L/S
 Designer: jason.kissner Developer: jamie.provencio LO Developer: keerthis Sourcing Manager: james.burnett
 Fit Engineer: ccheng



Design: FOMS192304 Sample LO: Production LO: India
 Style Material Style Style Description Pattern Base Size Size Scale Fit SMU Type
 XO1447 1923042 Weston Pass™ II M20M7581 M XXS - XXL Active Carry Over, Tag On

Component - Material	025-City Grey Dimensional Buffalo	414-Night Wave Dimensional Buffalo	415-Night Wave Buffalo Check	460-Stone Blue Buffalo Check	479-Dark Mountain Dimensional Buffalo	480-Dark Mountain Buffalo Check	615-Tapestry Dimensional Buffalo
Shell 1 - 127740	City Grey	Night Wave	None	None	Dark Mountain	None	Tapestry
Alt Shell 1A - 113365	None	None	night wave	Stone Blue	None	Dark Mountain	None
Interfacing 1 - 011952	White	White	White	White	White	White	White
Button 1 - 097383							
Thread 1 - 008214	City Grey	Delta	Night Wave	Curry	Tusk	Bluestone	Tapestry
Thread 2 - 008214							
Direct Embroidery 1 - 053345	Columbia Grey	Grill	Grill	Grill	Columbia Grey	Columbia Grey	Black
Label Logo 1 - 036631	Grill, Columbia Grey	Grill, Columbia Grey	Grill, Columbia Grey	Grill, Columbia Grey	Columbia Grey, Grill	Columbia Grey, Grill	Black, White
Label Logo 2 - 113673	Grill, Columbia Grey	Grill, Columbia Grey	Grill, Columbia Grey	Grill, Columbia Grey	Grill, Columbia Grey	Grill, Columbia Grey	Grill, Columbia Grey
Label 1 - 059199	White, Columbia Grey, Compass Blue	White, Columbia Grey, Compass Blue	White, Columbia Grey, Compass Blue	White, Columbia Grey, Compass Blue	White, Columbia Grey, Compass Blue	White, Columbia Grey, Compass Blue	White, Columbia Grey, Compass Blue
Label 2 - 006564	White, Black	White, Black	White, Black	White, Black	White, Black	White, Black	White, Black
Hangtag Package Part - 097043							
Hangtag Package Part - 123130	Artwork	Artwork	Artwork	Artwork	Artwork	Artwork	Artwork
Hangtag Package Part - 126966							
Packaging 2 - 980010							
Packaging 1 - 980001	Stock	Stock	Stock	Stock	Stock	Stock	Stock
Packaging 3 - 064194							

This is confidential and proprietary information of Columbia Sportswear Company. You agree that you will not disclose this information to any third party or use it for any purpose other than on behalf of Columbia. You have no right to use Columbia's name or any of its trademarks, trade names, copyrights, patents, designs or other intellectual property except as set forth in writing by Columbia.

Costing BOM

Line Slot: Weston Pass II Flannel
 Merchandise Division: Sportswear
 Designer: jason.kissner
 Fit Engineer: ccheng

Merchandise Collection: Exclusive
 Developer: jamie.provencio

State: Production
 Product Class: Woven Tops L/S
 LO Developer: keerthis

Season: F24
 Sourcing Manager: james.burnett



Design: F0MS192304
 Style Material Style
 XO1447 1923042

Sample LO:
 Style Description Pattern
 Weston Pass™ II
 Flannel M20M7581

Production LO: India
 Base Size Size Scale
 M XXS - XXL

Fit SMU Type
 Active Carry Over, Tag
 On

Colorway Number	Color Way	FOB Material	CIF Material	FOB Trim	CIF Trim	Allowance %	Total FOB	Total CIF
025	City Grey Dimensional Buffalo	4.989	0.000	0.401	0.000	0.0	5.390	0.000
414	Night Wave Dimensional Buffalo	4.989	0.000	0.401	0.000	0.0	5.390	0.000
415	Night Wave Buffalo Check	5.995	0.000	0.401	0.000	0.0	6.396	0.000
460	Stone Blue Buffalo Check	5.995	0.000	0.401	0.000	0.0	6.396	0.000
479	Dark Mountain Dimensional Buffalo	4.989	0.000	0.401	0.000	0.0	5.390	0.000
480	Dark Mountain Buffalo Check	5.995	0.000	0.401	0.000	0.0	6.396	0.000
615	Tapestry Dimensional Buffalo	4.989	0.000	0.401	0.000	0.0	5.390	0.000

Costing BOM

Line Slot: Weston Pass II Flannel State: Production Season: F24
 Merchandise Division: Sportswear Merchandise Collection: Exclusive Product Class: Woven Tops L/S
 Designer: jason.kissner Developer: jamie.provencio LO Developer: keerthis Sourcing Manager: james.burnett
 Fit Engineer: ccheng



Design: F0MS192304 Sample LO: Production LO: India
 Style Material Style Style Description Pattern Base Size Size Scale Fit SMU Type
 XO1447 1923042 Weston Pass™ II Flannel M20M7581 M XXS - XXL Active Carry Over, Tag On

Component	Material	Description	Fabric Width	Supplier	Locked	Country of Origin	Managin g Liaison Office	UoM	Target Cost	FOB Unit Cost	CIF Unit Cost	Usage	Wastage %	Total FOB	Total CIF
Shell 1	127740	F24 M SW SRT Woven YD on Base 098591 AP0011916	53.0	Vardhman Mills	N	India	India	yd	2.5	2.19	0.0	2.170	3	4.895	0.000
Alt Shell 1A	113365	F21 SRT SW YD on Base 098591 AP 8995	53.0	Vardhman Mills	N	India	India	yd	2.5	2.64	0.0	2.170	3	5.901	0.000
Interfacing 1	011952	Interlining Non-Woven Fusible Light Weight for Garment Wash	60.0	PCC asia LLC	Y	China	India	yd	0.0	0.38	0.0	0.240	3	0.094	0.000
Button 1	097383	20L DEBOSSSED COLUMBIA TWO TONE (LIKE 001601) LOW PROFILE Plastic BUTTON (SHAPE LIKE 056644)	0.0	BANGALORE SALES CORPORATION	Y	India	India	ea	0.0	0.0079	0.0	15.000	2.0	0.121	0.000

Costing BOM

Line Slot: Weston Pass II Flannel
 Merchandise Division: Sportswear
 Designer: jason.kissner
 Fit Engineer: ccheng

Merchandise Collection: Exclusive
 Developer: jamie.provencio

State: Production
 Product Class: Woven Tops L/S
 LO Developer: keerthis

Season: F24
 Sourcing Manager: james.burnett



Design: FOMS192304
 Style: Material Style
 XO1447 1923042

Sample LO:
 Style Description Pattern
 Weston Pass™ II M20M7581
 Flannel

Production LO: India
 Base Size: M
 Size Scale: XXS - XXL

Fit: Active
 SMU Type: Carry Over, Tag On

Component	Material	Description	Fabric Width	Supplier	Locked	Country of Origin	Managing Liaison Office	UoM	Target Cost	FOB Unit Cost	CIF Unit Cost	Usage	Wastage %	Total FOB	Total CIF
Direct Embroidery 1	053345	51.2mm Omni Wick B Embroidery 1 clr	0.0	FGV Sourced	N	unassigned	Portland	ea	0.0	0.0	0.0	1.000	2.0	0.000	0.000
Label Logo 1	036631	35mm Gem Columbia B Accent flat label 2 clr	0.0	Avery Dennison Global	N	unassigned	Portland	ea	0.04	0.00941	0.0	1.000	3.0	0.010	0.000
Label Logo 2	113673	35mm Woven End-Fold Fit Label for Tops	0.0	Avery Dennison Global	N	unassigned	Portland	ea	0.0	0.01213	0.0	1.000	3.0	0.012	0.000
Thread 1	008214	Coats ASTRA Spun Polyester Tex 27 40/2	0.0	Coats Global Thread	N	unassigned	Portland	meter	0.0	0.0003	0.0	224.000	5.0	0.071	0.000
Thread 2	008214	Coats ASTRA Spun Polyester Tex 27 40/2	0.0	Coats Global Thread	N	unassigned	Portland	meter	0.0	0.0003	0.0	1.000	5.0	0.000	0.000
Label 1	059199	40mm CSC Main /International ECO Size Woven Loop Label 3 clr	0.0	Avery Dennison Global	N	China	Portland	ea	0.0	0.05219	0.0	1.000	3.0	0.054	0.000

Costing BOM

Line Slot: Weston Pass II Flannel
 Merchandise Division: Sportswear
 Designer: jason.kissner
 Fit Engineer: ccheng

Merchandise Collection: Exclusive
 Developer: jamie.provencio

State: Production
 Product Class: Woven Tops L/S
 LO Developer: keerthis

Season: F24
 Sourcing Manager: james.burnett



Design: F0MS192304
 Style: Material Style
 XO1447 1923042

Sample LO:
 Style Description Pattern
 Weston Pass™ II M20M7581
 Flannel

Production LO: India
 Base Size: M
 Size Scale: XXS - XXL

Fit: Active
 SMU Type: Carry Over, Tag On

Component	Material	Description	Fabric Width	Supplier	Locked	Country of Origin	Managing Liaison Office	UoM	Target Cost	FOB Unit Cost	CIF Unit Cost	Usage	Wastage %	Total FOB	Total CIF
Label 2	006564	33mm Care Content ECO Booklet Fold label with fully translated country of origin WHT/BLK for most, BLK/WHT for Titanium only, GRY/BLK is for Garment DYE ONLY	0.0	Avery Dennison Global	N	China	Portland	ea	0.0	0.01905	0.0	1.000	3.0	0.020	0.000
Hangtag Package Part	097043	Columbia Omni-Wick Hangtag	0.0	Hang Sang Press Co. Ltd	N	unassigned	Portland	ea	0.0	0.0273	0.0	1.000	0.0	0.027	0.000
Hangtag Package Part	123130	UPC/Pricing with RFID Sticker for Outlet	0.0	Avery Dennison Global	Y	unassigned	Portland	ea	0.0	0.04875	0.0	1.000	0.0	0.049	0.000

Costing BOM

Line Slot: Weston Pass II Flannel	State: Production	Season: F24
Merchandise Division: Sportswear	Merchandise Collection: Exclusive	Product Class: Woven Tops L/S
Designer: jason.kissner	Developer: jamie.provencio	LO Developer: keerthis
Fit Engineer: ccheng		Sourcing Manager: james.burnett
Design: FOMS192304	Sample LO:	Production LO: India
Style Material Style	Style Description Pattern	Base Size Size Scale Fit
XO1447 1923042	Weston Pass™ II Flannel M20M7581	M XXS - XXL Active SMU Type Carry Over, Tag On



Component	Material	Description	Fabric Width	Supplier	Locked	Country of Origin	Managing Liaison Office	UoM	Target Cost	FOB Unit Cost	CIF Unit Cost	Usage	Wastage %	Total FOB	Total CIF
Hangtag Package Part	126966	Active Fit Swing Tag	0.0	Hang Sang Press Co. Ltd	N	unassigned	Portland	ea	0.0	0.023	0.0	1.000	0.0	0.023	0.000
Packaging 1	980001	Polybag See Standard CCS 4200 for specifications	0.0	Contractor	N	unassigned	Hong Kong	ea	0.0	0.0	0.0	1.000	3.0	0.000	0.000
Packaging 2	980010	UPC Bag Sticker Generic (MHW/Columbia) See CCS4400/4401 and MHW4402 for Mt Hardware for instructions	0.0	Avery Dennison Global	Y	China	Portland	ea	0.0	0.01323	0.0	1.000	5.0	0.014	0.000
Packaging 3	064194	Outer Carton for costing purpose only	0.0	Contractor	N	unassigned	Hong Kong	ea	0.0	0.0	0.0	1.000	3.0	0.000	0.000

Costing BOM

Line Slot: Weston Pass II Flannel		State: Production		Season: F24			
Merchandise Division: Sportswear		Merchandise Collection: Exclusive		Product Class: Woven Tops L/S			
Designer: jason.kissner		Developer: jamie.provencio		LO Developer: keerthis			
Fit Engineer: ccheng				Sourcing Manager: james.burnett			
Design:	F0MS192304	Sample LO:		Production LO:	India		
Style	Material Style	Style Description	Pattern	Base Size	Size Scale	Fit	SMU Type
XO1447	1923042	Weston Pass™ II Flannel	M20M7581	M	XXS - XXL	Active	Carry Over, Tag On



This is confidential and proprietary information of Columbia Sportswear Company. You agree that you will not disclose this information to any third party or use it for any purpose other than on behalf of Columbia. You have no right to use Columbia's name or any of its trademarks, trade names, copyrights, patents, designs or other intellectual property except as set forth in writing by Columbia.

Instructions							
Line Slot: Weston Pass II Flannel		State: Production		Season: F24			
Merchandise Division: Sportswear		Merchandise Collection: Exclusive		Product Class: Woven Tops L/S			
Designer: jason.kissner		Developer: jamie.provencio		LO Developer: keerthis		Sourcing Manager: james.burnett	
Fit Engineer: ccheng							
Design: F0MS192304		Sample LO:		Production LO: India			
Style	Material Style	Style Description	Pattern	Base Size	Size Scale	Fit	SMU Type
XO1447	1923042	Weston Pass™ II Flannel	M20M7581	M	XXS - XXL	Active	Carry Over, Tag On



Category	Subcategory	Description	Comments
FABRIC DESCRIPTION	CUTTING / MARKING	TWO WAY CUT - CUT ONE UP AND ONE DOWN: All pieces in each garment must be cut in same direction. DO NOT MIX BUNDLES	127740 Dimensional Buffalo
		CUT ON THE BIAS	pocket flap back yoke inside collar stand
		MATCHING: (if applicable) BUTTON DOWN SHIRT - WITH VERTICAL SEAMS: HORIZONTAL PAIRING: Center front, Sleeves, Cuffs SYMMETRICAL PAIRING: Collar, Pocket(s) HORIZONTAL MATCH: Side fronts to Front, Side backs to Back VERTICAL MATCH: Pocket flap(s) to Pocket(s) HORIZONTAL AND VERTICAL MATCH: Pocket flap(s) to Body, Pocket(s) to Body NO MATCH: Center front placket, Side seams	127740 Dimensional Buffalo
BUTTONHOLES	BUTTONHOLES FUNCTIONAL	SIZED TO ACCOMMODATE BUTTON	(1) Collar Stand (6) CF placket (2/1) Cuff placket (2/1) cuff (2/1) Chest pocket flap
BARTACKS	BARTACK FUNCTIONAL	LENGTH - SIZED TO FIT	(4/2) Chest pocket flap edge (1) Right chest pocket flap additional (4/2) Chest pocket opening

This is confidential and proprietary information of Columbia Sportswear Company. You agree that you will not disclose this information to any third party or use it for any purpose other than on behalf of Columbia. You have no right to use Columbia's name or any of its trademarks, trade names, copyrights, patents, designs or other intellectual property except as set forth in writing by Columbia.

Care Report

Line Slot: Weston Pass II Flannel	State: Production	Season: F24
Merchandise Division: Sportswear	Merchandise Collection: Exclusive	Product Class: Woven Tops L/S
Designer: jason.kissner	Developer: jamie.provencio	LO Developer: keerthis
Fit Engineer: ccheng		Sourcing Manager: james.burnett
Design: F0MS192304	Sample LO:	Production LO: India
Style XO1447	Material Style 1923042	Style Description Weston Pass™ II Flannel
Pattern M20M7581	Base Size M	Size Scale XXS - XXL
		Fit Active
		SMU Type Carry Over, Tag On



Care Code: 1074		Color Way Number	Color Way Name
English	Machine Wash Cold Gentle, With Like Colors, Do Not Bleach, Tumble Dry Low, Remove Promptly, Iron Low, Do Not Use Fabric Softener, If Present Do Not Iron Decal, Do Not Dryclean	025	City Grey Dimensional Buffalo
French	Lavage machine à froid, Cycle délicat, Avec des couleurs similaires, Ne pas utiliser d'eau de javel, Séchage machine, basse température, Sortir immédiatement de la machine, Repasser à basse température, Ne pas utiliser d'assouplissant, Le cas échéant, ne pas repasser la décalcomanie, Nettoyage à sec interdit	414	Night Wave Dimensional Buffalo
German	Schonwaschgang mit kaltem Wasser, Mit gleichen Farben, Keine Bleichmittel verwenden, Trocknen im Wäschetrockner bei niedriger Temperatur, Sofort aus dem Trockner nehmen, Bügeln mit niedriger Temperatur, Keine Weichspüler verwenden, Falls vorhanden, Dekorbild nicht bügeln, Nicht chemisch reinigen	415	Night Wave Buffalo Check
Portuguese	Lavar à maquina com água fria, ciclo para roupas delicadas, Com cores similares, Não alvejar, Secar à máquina em temperatura baixa, Remover prontamente, Passar a ferro em baixa temperatura, Não usar amaciante, Se presente, não passar o ferro sobre o decalque, Não utilizar limpeza a seco	460	Stone Blue Buffalo Check
Spanish	Lavar a maquina con agua fría, en ciclo delicado, Lavar con colores similares, No usar lejía, Usar secadora a temperatura baja, Retirar inmediatamente, Planchar a temperatura baja, No usar suavizante de telas, En su caso, no planche la pegatina, No lavar en seco	479	Dark Mountain Dimensional Buffalo
Italian	Lavare in lavatrice in acqua fredda, ciclo delicato, Con colori simili, Non candeggiare, Asciugare a tamburo a bassa temperatura, Rimuovere tempestivamente, Stirare con ferro a temperatura bassa, Non utilizzare ammorbidente, Se presente, non stirare la decalcomania, Non lavare a secco	480	Dark Mountain Buffalo Check
Russian	Щадящая машинная стирка в холодной воде, Стирать с изделиями подобного цвета, Не отбеливать, Сушить при низкой температуре, Сразу убрать из сушилки, Гладить при низкой температуре, Не использовать кондиционер для тканей, Если есть, не гладить наклейки и роспись на текстиле, Химчистка запрещена	615	Tapestry Dimensional Buffalo
Czech Republican	Praní v pračce při nízké teplotě, jemný cyklus, S podobnými barvami, Nebělit, Sušení v sušičce, nízká teplota, Ihned odepnout, Žehlení při nízké teplotě, Nepoužívat aviváž, Nežehlit obtisky, jsou-li přítomny, Nečistit chemicky		
Hebrew	כביסה במכונה במים קרים, כביסה עדינה, עם צבעים דומים, לא להלבין, לייבש במייבש כביסה בחום נמוך, להסיר מיד, לגהץ בחום נמוך, לא להשתמש במרכז כביסה, אם ישנה, לא לגהץ את מדבקת הדקאל, לא לנקות בניקוי יבש		
Hungarian	Géppel mosás, hideg vízzel, kímélő programmal, Hasonló színűekkel, Ne használjon fehérítőt, Szárítógépben alacsony hőfokon szárítsa, Mosás után azonnal vegye ki a gépből, Alacsony hőfokon vasalja, Ne használjon öblítőszer, Ha van az anyagon matrica, azt ne vasalja, Ne vegytisztítsa		
Polish	Prać w temperaturze nie przekraczającej 30°C, cykl delikatny, Prać z podobnymi kolorami, Nie chlorować, Można suszyć bębnowo, niska temperatura, Natychmiast usunąć, Prasować w temperaturze do 100°C, Nie używać zmiękczacza do tkanin, Nie prasować ozdób, jeśli są obecne, Nie czyścić chemicznie		
Portuguese Brazil	Lavar à maquina com água fria, ciclo para roupas delicadas, Com cores similares, Não alvejar, Secar em tambor rotativo em temperatura baixa, Remover prontamente, Passar a ferro em baixa temperatura, Não usar amaciante, Se presente, não passar o ferro sobre o decalque, Não utilizar limpeza a seco		
Slovakian	Perte v pračce v studenej vode, šetriaci program, Spolu len podobné farby, Neodfarbujte, Sušte v bubnovej sušičke pri nízkych otáčkach, Okamžite odstráňte, Žehlíte žehličkou s nízkou teplotou, Nepoužívajte avivážne prípravky, Ak má štítok, nežehlite ho, Nečistite chemicky		
Slovenian	Nežno mrzlo strojno pranje, Z podobnimi barvami, Ne belite, Nizko strojno sušenje, Odstraniti takoj, Nizko likanje, Ne uporabljati mehčalca, Če obstaja, ne likati nalepk, Ne suho čistiti		
Spanish Latin American	Lavar a maquina con agua fría, en ciclo delicado, Lavar con colores similares, No usar blanqueador, Usar secadora a temperatura baja, Retirar inmediatamente, Planchar a temperatura baja, No usar suavizante de telas, En su caso, no planche el diseño impreso, No lavar en seco		
Turkish	Makınada Yıkandır, Soğuk, Narin Program, Aynı Renklerle Yıkayın, Ağartıcı Kullanmayın, Tambur Kurutma, Düşük, Hemen Çıkarın, Düşük Isıda Ütüleyin, Çamaşır Yumuşatıcısı Kullanmayın, Varsa Çıkartmayı Ütulemeyin, Kuru Temizleme Yapmayın		

Care Report

Line Slot: Weston Pass II Flannel		State: Production		Season: F24			
Merchandise Division: Sportswear		Merchandise Collection: Exclusive		Product Class: Woven Tops L/S			
Designer: jason.kissner		Developer: jamie.provencio		LO Developer: keerthis			
Fit Engineer: ccheng				Sourcing Manager: james.burnett			
Design:	FOMS192304	Sample LO:		Production LO:	India		
Style	Material Style	Style Description	Pattern	Base Size	Size Scale	Fit	SMU Type
XO1447	1923042	Weston Pass™ II Flannel	M20M7581	M	XXS - XXL	Active	Carry Over, Tag On



Chinese Simplified	冷水慢循环机洗, 可与相近色同洗, 请勿漂白, 低温滚筒烘干, 及时拆除, 低温熨烫, 请勿使用织物柔软剂, 如有, 请勿熨烫贴花, 请勿干洗
Chinese Traditional	冷水慢迴圈機洗, 可與相近色同洗, 請勿漂白, 低溫滾筒烘乾, 及時拆除, 低溫熨燙, 請勿使用織物柔軟劑, 如有, 請勿熨燙貼花, 請勿乾洗
Japanese	洗濯機水洗い(デリケートコース), 同系色と一緒に洗濯してください。漂白剤使用不可。乾燥機使用可(低温), すぐに外してください。アイロン可(低温), 柔軟剤の使用不可。転写シールへのアイロン使用不可(ある場合), ドライクリーニング不可
Korean	가, , 가, , 가, , 가, ,
Danish	Kold maskinvask, skåneprogram, Sammen med lignende farver, Må ikke afbleges, Tør i tørretumbler, lav, Fjern med det samme, Stryges ved lav temperatur, Brug ikke skyllemiddel, Tryk må ikke stryges, Må ikke renses kemisk
Norwegian	Maskinvask kald, forsiktig, Med like farger, Må ikke blekes, Tørketrommel, lav, Fjernes umiddelbart, Strykes lav temp., Ikke bruk tøymykner, Ikke bruk strykejern på klistremerke, Skal ikke renses
Swedish	Maskintvättas kallt mjuk cykel, Med liknande färger, Får inte blekas, Torktumlas på låg nivå, Ta bort omgående, Stryks på lägsta nivå, Sköljmedel får inte användas, Dekal får inte strykas om befintlig, Kemtvättas inte
Dutch	Koud wassen in wasmachine op zacht, Met overeenkomende kleuren, Niet bleken, In droger op laag, Meteen verwijderen, Op laag strijken, Geen wasverzachter gebruiken, Indien aanwezig sticker niet strijken, Niet laten stomen
French Canadian	Laver à la machine à l'eau froide, cycle délicat, avec des couleurs similaires, Ne pas utiliser d'agent de blanchiment, Séchage par culbutage à basse température, Retirer aussitôt sec, Repasser à basse température, Ne pas utiliser d'assouplisseur, Ne pas repasser de décalcomanie, Ne pas nettoyer à sec



Content Report

Line Slot: Weston Pass II Flannel State: Production Season: F24
 Merchandise Division: Sportswear Merchandise Collection: Exclusive Product Class: Woven Tops L/S
 Designer: jason.kissner Developer: jamie.provencio LO Developer: keerthis Sourcing Manager: james.burnett
 Fit Engineer: ccheng



Design: F0MS192304 Sample LO: Production LO: India
 Style Material Style Style Description Pattern Base Size Size Scale Fit SMU Type
 XO1447 1923042 Weston Pass™ II M20M7581 M XXS - XXL Active Carry Over, Tag On

CONTENT CODE: BGD			Color Way Number	Color Way Name
Shell: 97% Cotton, 3% Elastane Exclusive of Trimming				
FRENCH	Extérieur:	97% Coton, 3% Élasthanne Sauf les bordures	415	Night Wave Buffalo Check
GERMAN	Außenhülle:	97% Baumwolle, 3% Elastan Ohne Besatz		
PORTUGUESE	Exterior:	97% Algodão, 3% Elastano Sem orlas	479	Dark Mountain Dimensional Buffalo
SPANISH	Cubierta:	97% Algodón, 3% Elastano Exclusivo de los ribetes		
ITALIAN	Guscio esterno:	97% Cotone, 3% Elastan Ad eccezione dei bordini	480	Dark Mountain Buffalo Check
RUSSIAN	Оболочка:	97% Хлопок, 3% Эластан Без дополнительных деталей		
CZECH REPUBLICAN	Skořepina:	97% Bavlna, 3% Elastan Bez nášivek	460	Stone Blue Buffalo Check
HEBREW	מעטפת חיצונית: 97% כותנה, 3% אלסטן ללא קישוט			
HUNGARIAN	Külső:	97% Pamut, 3% Elasztán Szegélydíszen kívül	414	Night Wave Dimensional Buffalo
POLISH	Powłoka:	97% Bawełna, 3% Elastan Wyłączając naszywki		
PORTUGUESE BRAZIL	Exterior:	97% Algodão, 3% Elastano Sem adornos	615	Tapestry Dimensional Buffalo
SLOVAKIAN	Plášť:	97% Bavlna, 3% Elastan Okrem lemovania		
SLOVENIAN	Lupina:	97% Bombaž, 3% Elastan Brez obrezovanja	025	City Grey Dimensional Buffalo
SPANISH LATIN AMERICAN	Cubierta:	97% Algodón, 3% Elastano Exclusivo de los ribetes		
TURKISH	Kabuk:	97% Pamuk, 3% Elastan Süsler Hariç		
CHINESE SIMPLIFIED	外壳:	97% 棉, 3% 弹性 不包括装饰品		
CHINESE TRADITIONAL	外殼:	97% 棉, 3% 彈性 不包括裝飾品		
JAPANESE	シエル:	97% 綿, 3% エラストイン 装飾品を除く		
KOREAN	:	97% , 3%		
DANISH	Skal:	97% Bomuld, 3% Elastan Inkluderer ikke kant		
NORWEGIAN	Skall:	97% Bomull, 3% Elastan Eksklusiv trimming		
SWEDISH	Ytterdel:	97% Bomull, 3% Elastan Utan trimming		
DUTCH	Schelp:	97% Katoen, 3% Elastaan Exclusief trimmen		
FRENCH CANADIAN	Extérieur:	97% Coton, 3% Élasthanne Exclut les bordures		

Pattern Piece Detail



Line Slot: Weston Pass II Flannel State: Production Season: F24

Merchandise Division: Sportswear Merchandise Collection: Exclusive Product Class: Woven Tops L/S

Designer: jason.kissner Developer: jamie.provencio LO Developer: keerthis Sourcing Manager: james.burnett

Fit Engineer: ccheng

Design: F0MS192304 Sample LO: Production LO: India

Style	Material Style	Style Description	Pattern	Base Size	Size Scale	Fit	SMU Type
XO1447	1923042	Weston Pass™ II Flannel	M20M7581	M	XXS - XXL	Active	Carry Over, Tag On

M20M7581 - weston pass flannel - active

Component	Quantity	Long Description	Abbreviation	Code
-----------	----------	------------------	--------------	------

This is confidential and proprietary information of Columbia Sportswear Company. You agree that you will not disclose this information to any third party or use it for any purpose other than on behalf of Columbia. You have no right to use Columbia's name or any of its trademarks, trade names, copyrights, patents, designs or other intellectual property except as set forth in writing by Columbia.

Measurements

Line Slot: Weston Pass II Flannel
 Merchandise Division: Sportswear
 Designer: jason.kissner
 Fit Engineer: ccheng

Merchandise Collection: Exclusive
 Developer: jamie.provencio

State: Production
 Product Class: Woven Tops L/S
 LO Developer: keerthis

Season: F24
 Sourcing Manager: james.burnett



Design: F0MS192304
 Style Material Style
 XO1447 1923042

Sample LO:
 Style Description Pattern
 Weston Pass™ II Flannel M20M7581

Production LO: India
 Base Size Size Scale
 M XXS - XXL

Fit SMU Type
 Active Carry Over, Tag On

Sort Order		Use	Type	Placeme nt	(+/-)	XXS	XS	S	M	L	XL	XXL
Grade Rule: CSC Mens Woven Tops - XXS-XXL (M) - NT - Block: null												
1101.0	CHEST WIDTH - circumference - 1 inch down from armhole seam	QC	Graded		0.0	36.5	38.5	41.5	44.5	47.5	51.5	55.5
1300.0	WAIST WIDTH POSITION - from HPS		Graded		0.0	17.375	17.75	18.125	18.5	18.875	19.25	19.625
1400.0	WAIST WIDTH - circumference	QC	Graded		0.0	35.0	37.0	40.0	43.0	46.0	50.0	54.0
1610.0	SWEEP WIDTH - circumference	QC	Graded		0.0	35.0	37.0	40.0	43.0	46.0	50.0	54.0
1901.0	SHIRT TAIL HEIGHT - difference from CB hem to side seam hem		Graded		0.0	2.5	2.5	2.5	2.5	2.5	2.5	2.5
2002.0	BACK BODY LENGTH - CB neck to edge of hem	QC	Graded		0.0	28.0	28.5	29.0	29.5	30.0	30.5	31.0
2203.0	SHOULDER WIDTH - Natural Shoulder - seam to seam	QC	Graded		0.0	15.25	16.0	17.0	18.0	19.0	20.25	21.5
2402.0	BACK YOKE HEIGHT - from CB neck seam		Graded		0.0	3.5	3.625	3.75	3.875	4.0	4.125	4.25
2602.0	SLEEVE LENGTH - Long Sleeve - CB neck to hem edge	QC	Graded		0.0	33.375	34.0	34.75	35.5	36.25	37.125	38.0
2722.0	SLEEVE WIDTH - circumference - 1 inch down from armhole seam	QC	Graded		0.0	15.5	16.0	16.75	17.5	18.25	19.25	20.25
2822.0	ELBOW WIDTH - circumference - at mid point of under sleeve seam	QC	Graded		0.0	12.625	13.0	13.5	14.0	14.5	15.125	15.75
3000.0	SLEEVE OPENING - long sleeve - circumference	QC	Graded		0.0	8.5	8.75	9.0	9.25	9.5	9.75	10.0
3200.0	CUFF HEIGHT	QC	Graded		0.0	2.25	2.25	2.25	2.25	2.25	2.25	2.25
3360.0	SLEEVE PLACKET LENGTH		Graded		0.0	7.0	7.0	7.0	7.0	7.0	7.0	7.0

Measurements

Line Slot: Weston Pass II Flannel		State: Production		Season: F24			
Merchandise Division: Sportswear		Merchandise Collection: Exclusive		Product Class: Woven Tops L/S			
Designer: jason.kissner		Developer: jamie.provencio		LO Developer: keerthis			
Fit Engineer: ccheng				Sourcing Manager: james.burnett			
Design:	FOMS192304	Sample LO:		Production LO:	India		
Style	Material Style	Style Description	Pattern	Base Size	Size Scale	Fit	SMU Type
XO1447	1923042	Weston Pass™ II Flannel	M20M7581	M	XXS - XXL	Active	Carry Over, Tag On



Sort Order	Use	Type	Placeme nt	(+/-)	XXS	XS	S	M	L	XL	XXL	
3361.0	SLEEVE PLACKET WIDTH		Graded		0.0	1.0	1.0	1.0	1.0	1.0	1.0	1.0
3460.0	NECK CIRCUMFERENCE - at center of collar stand - center of button to center of buttonhole	QC	Graded		0.0	15.125	15.625	16.625	17.625	18.625	19.625	20.625
3591.0	CENTER FRONT PLACKET WIDTH		Graded		0.0	1.25	1.25	1.25	1.25	1.25	1.25	1.25
3600.0	COLLAR LENGTH - at top	QC	Graded		0.0	16.0	16.5	17.5	18.5	19.5	20.5	21.5
3650.0	COLLAR HEIGHT - at CB	QC	Graded		0.0	1.875	1.875	1.875	1.875	1.875	1.875	1.875
3653.0	COLLAR STAND HEIGHT - at CB		Graded		0.0	1.25	1.25	1.25	1.25	1.25	1.25	1.25
3680.0	COLLAR POINT LENGTH		Graded		0.0	2.25	2.25	2.25	2.25	2.25	2.25	2.25
6501.0	CHEST POCKET WIDTH		Varies By Style		0.125	4.75	5.0	5.25	5.5	5.5	5.75	5.75
6503.0	CHEST POCKET HEIGHT - including flap		Varies By Style		0.125	5.25	5.5	5.75	6.0	6.0	6.25	6.25

This is confidential and proprietary information of Columbia Sportswear Company. You agree that you will not disclose this information to any third party or use it for any purpose other than on behalf of Columbia. You have no right to use Columbia's name or any of its trademarks, trade names, copyrights, patents, designs or other intellectual property except as set forth in writing by Columbia.

Thumbnail

Line Slot: Weston Pass II Flannel
 Merchandise Division: Sportswear
 Designer: jason.kissner
 Fit Engineer: ccheng

Merchandise Collection: Exclusive
 Developer: jamie.provencio

State: Production
 Product Class: Woven Tops L/S
 LO Developer: keerthis

Season: F24
 Sourcing Manager: james.burnett

Design: FOMS192304
 Style Material Style
 XO1447 1923042

Sample LO:
 Style Description Pattern
 Weston Pass™ II M20M7581
 Flannel

Production LO: India
 Base Size Size Scale
 M XXS - XXL

Fit SMU Type
 Active Carry Over, Tag
 On



This is confidential and proprietary information of Columbia Sportswear Company. You agree that you will not disclose this information to any third party or use it for any purpose other than on behalf of Columbia. You have no right to use Columbia's name or any of its trademarks, trade names, copyrights, patents, designs or other intellectual property except as set forth in writing by Columbia.

Technical

Line Slot: Weston Pass II Flannel		State: Production	Season: F24
Merchandise Division: Sportswear	Merchandise Collection: Exclusive	Product Class: Woven Tops L/S	
Designer: jason.kissner	Developer: jamie.provencio	LO Developer: keerthis	Sourcing Manager: james.burnett

Fit Engineer: ccheng

Design:	F0MS192304	Sample LO:	Production LO:	India			
Style	Material Style	Style Description	Pattern	Base Size	Size Scale	Fit	SMU Type
XO1447	1923042	Weston Pass™ II Flannel	M20M7581	M	XXS - XXL	Active	Carry Over, Tag On



All 2-Needle topstitching is "ISO 301, 1/4" spacing; Edgestitch" unless otherwise indicated.

All single-needle topstitching is "ISO 301, 1/8" from edge" unless otherwise noted.

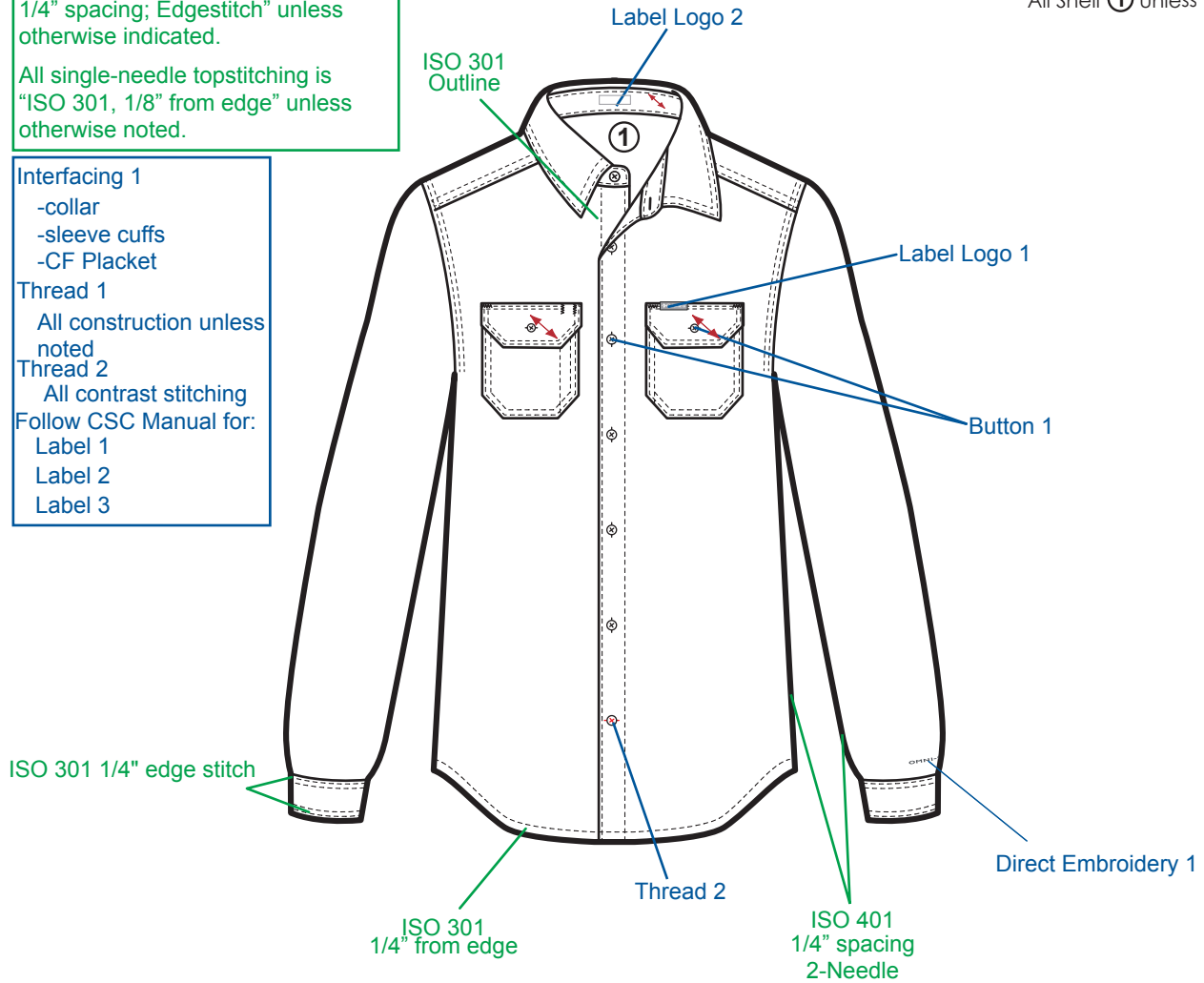
**All Shell ① unless Indicated

Interfacing 1
 -collar
 -sleeve cuffs
 -CF Placket

Thread 1
 All construction unless noted

Thread 2
 All contrast stitching

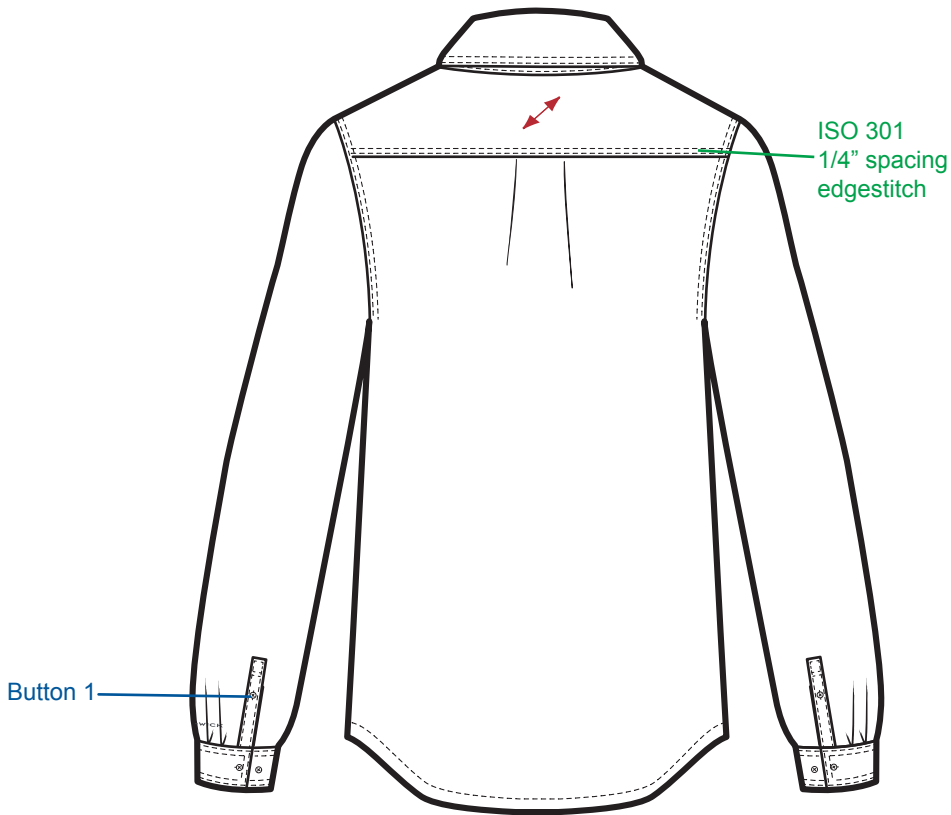
Follow CSC Manual for:
 Label 1
 Label 2
 Label 3



Technical

Line Slot: Weston Pass II Flannel State: Production Season: F24
 Merchandise Division: Sportswear Merchandise Collection: Exclusive Product Class: Woven Tops L/S
 Designer: jason.kissner Developer: jamie.provencio LO Developer: keerthis Sourcing Manager: james.burnett
 Fit Engineer: ccheng

Design:	F0MS192304	Sample LO:	Production LO:	India			
Style	Material Style	Style Description	Pattern	Base Size	Size Scale	Fit	SMU Type
XO1447	1923042	Weston Pass™ II Flannel	M20M7581	M	XXS - XXL	Active	Carry Over, Tag On



This is confidential and proprietary information of Columbia Sportswear Company. You agree that you will not disclose this information to any third party or use it for any purpose other than on behalf of Columbia. You have no right to use Columbia's name or any of its trademarks, trade names, copyrights, patents, designs or other intellectual property except as set forth in writing by Columbia.

Detail Sketch

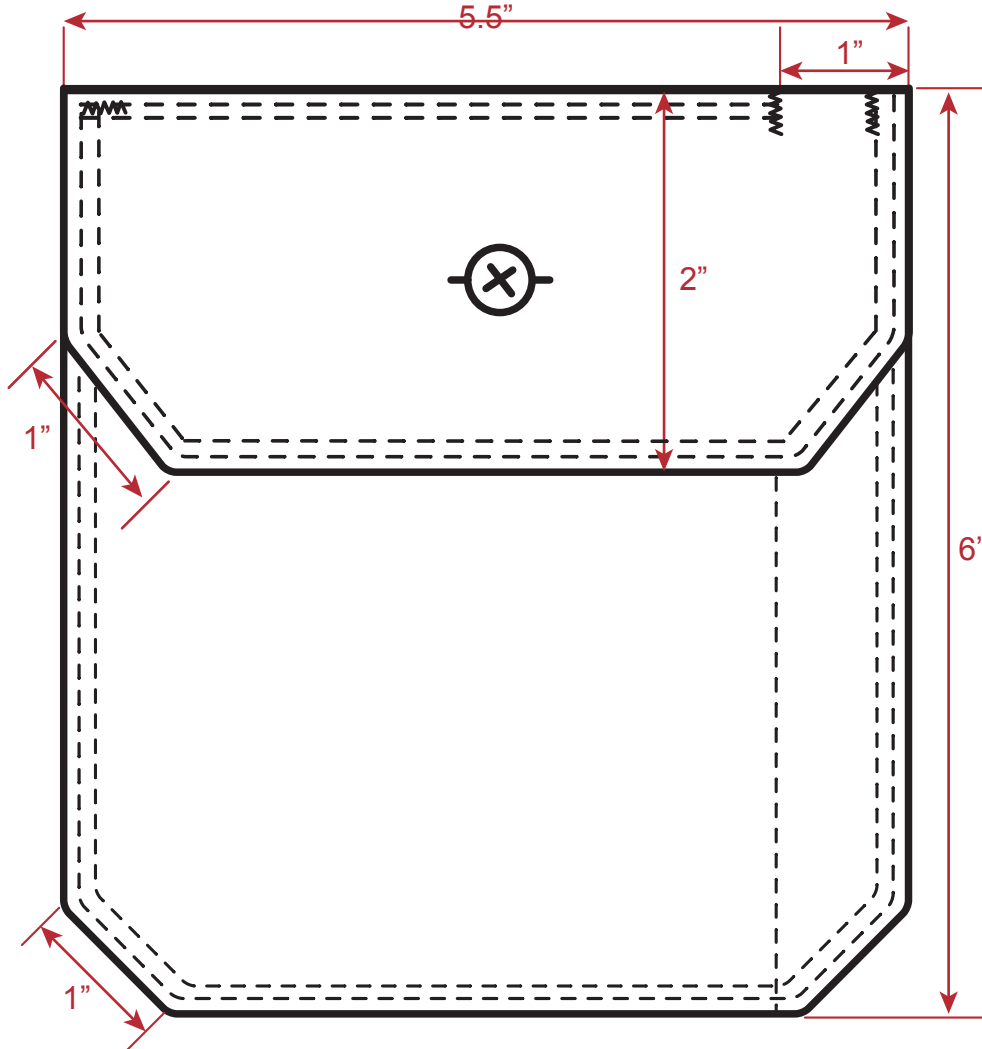
Line Slot: Weston Pass II Flannel State: Production Season: F24
 Merchandise Division: Sportswear Merchandise Collection: Exclusive Product Class: Woven Tops L/S
 Designer: jason.kissner Developer: jamie.provencio LO Developer: keerthis Sourcing Manager: james.burnett
 Fit Engineer: ccheng

Design: F0MS192304 Sample LO: Production LO: India
 Style: XO1447 Material Style: 1923042 Style Description: Weston Pass™ II Flannel Pattern: M20M7581 Base Size: M Size Scale: XXS - XXL Fit: Active SMU Type: Carry Over, Tag On



Last Update

DOUBLE SIDE NOTCHED RIGHT CHEST POCKET (NOT TO SCALE)



- Corners should not blend together, or be overtly rounded
- Add/remove bartacks when necessary for durability depending on construction
- Measurements are to sewn edge of pocket.

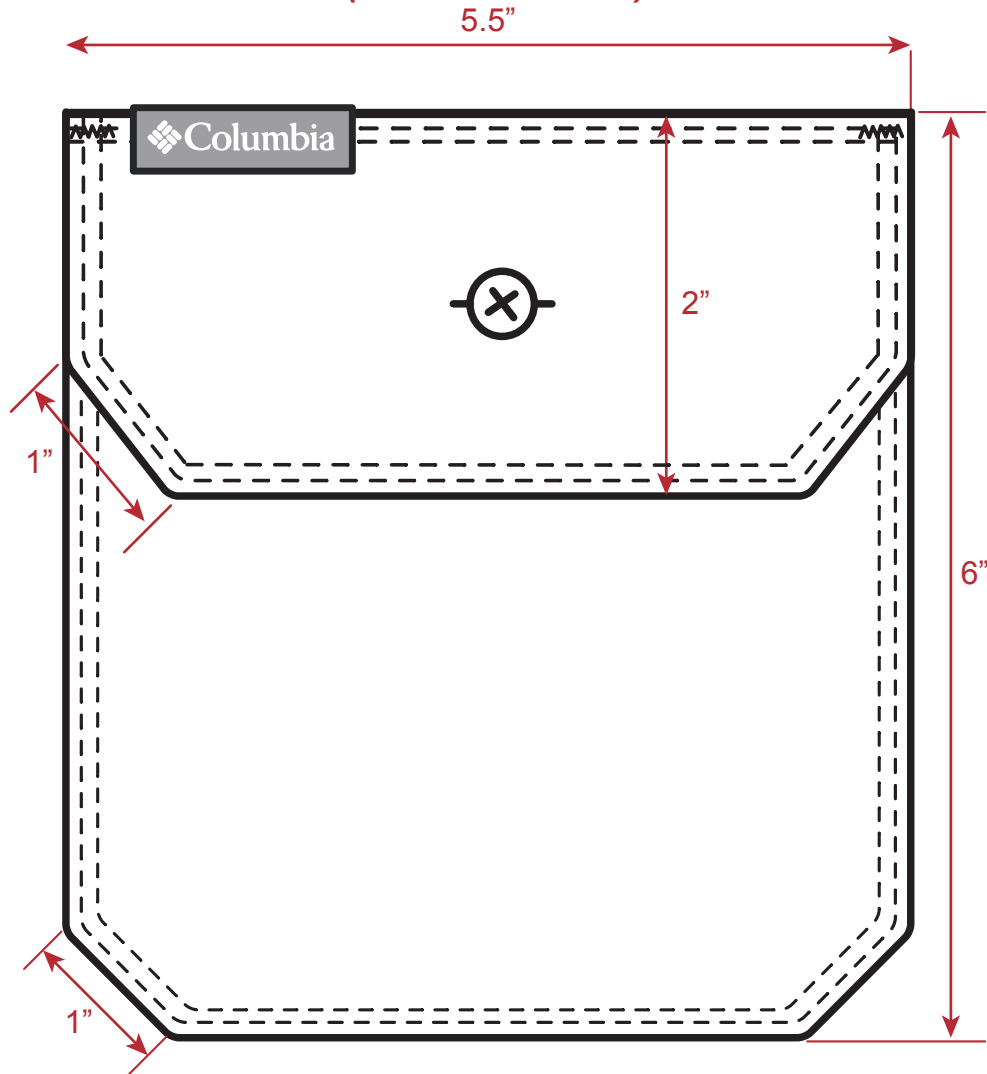
Detail Sketch

Line Slot: Weston Pass II Flannel State: Production Season: F24
Merchandise Division: Sportswear Merchandise Collection: Exclusive Product Class: Woven Tops L/S
Designer: jason.kissner Developer: jamie.provencio LO Developer: keerthis Sourcing Manager: james.burnett
Fit Engineer: ccheng

Design: F0MS192304 Sample LO: Production LO: India
Style: Material Style Style Description Pattern Base Size Size Scale Fit SMU Type
XO1447 1923042 Weston Pass™ II Flannel M20M7581 M XXS - XXL Active Carry Over, Tag On



DOUBLE SIDE NOTCHED LEFT CHEST POCKET (NOT TO SCALE)



- Corners should not blend together, or be overtly rounded
- Add/remove bartacks when necessary for durability depending on construction
- Measurements are to sewn edge of pocket.

Detail Sketch

Line Slot: Weston Pass II Flannel State: Production Season: F24
Merchandise Division: Sportswear Merchandise Collection: Exclusive Product Class: Woven Tops L/S
Designer: jason.kissner Developer: jamie.provencio LO Developer: keerthis Sourcing Manager: james.burnett
Fit Engineer: ccheng
Design: F0MS192304 Sample LO: Production LO: India
Style Material Style Style Description Pattern Base Size Size Scale Fit SMU Type
XO1447 1923042 Weston Pass™ II Flannel M20M7581 M XXS - XXL Active Carry Over, Tag On



FRONT BOTTOM BUTTON STITCH POP (NOT TO SCALE)



- **Stitch color will be same as Logo (Grill, White, Grey)**

This is confidential and proprietary information of Columbia Sportswear Company. You agree that you will not disclose this information to any third party or use it for any purpose other than on behalf of Columbia. You have no right to use Columbia's name or any of its trademarks, trade names, copyrights, patents, designs or other intellectual property except as set forth in writing by Columbia.

Hangtag Package Report

Apparel Style: XO1447

Season: F24

Brand: Columbia

Merchandise Category: Sportswear

Merchandiser: dabaldwin

Line Slot: Weston Pass II Flannel

Sort Order: 0.0 Part: 126966 - Active Fit Swing Tag
 Instruction: Swing tag to be placed on top of cover tag on same plastic loop.

SKU/Version #	Color	Name	Revised Date
OP1490983	126966	OP1490983_126966_MT_Active Fit	10-18-23



SKU/Version #	Color	Name	Revised Date
Process Blue / Process Blue	126966	126966	
25" x 13" / 1056mm x 88.9mm		Agapour Coating Die Cut, 3mm punch	



Sort Order: 1.0 Part: 097043 - Columbia Omni-Wick Hangtag
 Instruction: "(FOR TOPS W/CF BUTTONS)
 HANG TAG TO BE PLACED ON 5" CIRCULAR SWIFT TACK AT 2ND
 BUTTON HOLE FROM TOP (OMNI-TECH, OMNI-SHADE, OMNI-SHIELD) "

SKU/Version #	Color	Name	Revised Date
OP984989	097043	OP984989_097043_TC_Columbia_OmniWick	09-26-22



SKU/Version #	Color	Name	Revised Date
4" x Process Blue / Process Blue	126966	126966	
2.31" x 3.48" / 58.6mm x 88.9mm		Agapour Coating Die Cut, 3mm Punch	



Sort Order: 2.0 Part: 123130 - UPC/Pricing with RFID Sticker for Outlet
 Instruction:

SKU/Version #	Color	Name	Revised Date
6/A	123130	FDML_123130_RFID UPC Sticker with MAP for Outlet_20230323	04-12-23



* FRONT MAP & "Columbia Made" is laser perforated section for USA ONLY
 * DO NOT print MAP & "Columbia Made" in laser perforated section for all other regions.
 * DO NOT remove hangtag for perforated section
 * DO NOT print MAP & "Columbia Made" in laser perforated section for Sales Samples
 (Check for back before perforation)

SKU/Version #	Color	Name	Revised Date
Black	123130	123130	
1.985" x 1.658" / 50.4mm x 42.1mm		White, Out-Of-Home Sticker Stock	

