

Related Styles

Line Slot: Pitchstone Outdoor Pant
 Merchandise Division: Sportswear
 Designer: owen.kessel
 Fit Engineer: ann.lewis

Merchandise Collection: Outdoor
 Developer: jessie.desue

State: Production
 Product Class: Woven Pant
 LO Developer: triveni.hebbbar

Season: F25
 Sourcing Manager: melissa.gallagher



Design:	F5MS213567	Sample LO:	India	Production LO:	India		
Style	Material Style	Style Description	Pattern	Base Size	Size Scale	Fit	SMU Type
AE5300	2135673	Pitchstone™ Outdoor Pant	M25AM0775	32	28 - 38	Pan-Asian Regular	N/A

Style	Material Style	Style Description	Design	Pattern	Base Size	Size Scale	Sample LO	Production LO
AM5300	2135671	Pitchstone™ Outdoor Pant	F5MS213567	M25M0775	32	28 - 46	India	India
AS5300	2135672	Pitchstone™ Outdoor Pant	F5MS213567	M25S0775	44	42 - 54	India	India

This is confidential and proprietary information of Columbia Sportswear Company. You agree that you will not disclose this information to any third party or use it for any purpose other than on behalf of Columbia. You have no right to use Columbia's name or any of its trademarks, trade names, copyrights, patents, designs or other intellectual property except as set forth in writing by Columbia.

Part Specifications with Approved Suppliers

Line Slot: Pitchstone Outdoor Pant State: Production Season: F25
 Merchandise Division: Sportswear Merchandise Collection: Outdoor Product Class: Woven Pant
 Designer: owen.kessel Developer: jessie.desue LO Developer: triveni.hebbar Sourcing Manager: melissa.gallagher
 Fit Engineer: ann.lewis



Design: F5MS213567 Sample LO: India Production LO: India Vendor Master: INDIA Vendor Master: INDIA
 Style: Material Style Style Description Pattern Base Size Size Scale Fit SMU Type
 AE5300 2135673 Pitchstone™ Outdoor Pant M25AM0775 32 28 - 38 Pan-Asian Regular N/A

Number	Description	UM	Fiber Content	Fiber Content Back	Material Coating	Material Finish (Face)	Material Laminate	Trim Specific	Supplier Art No	Country of Origin	Standard Cost (FOB)	Purchase Cost (CIF)	Product on Lead Time with Greige	Product on Lead Time without Greige	
Fabric															
110489	Heavy Twill with Stretch (Version of 089519)	yd	97% Cotton, 3% Elastane	unassigned	MaterialCoatingNone	MaterialFinishNone	MaterialLaminateNone								
SHAHI EXPORTS PVT. LTD. WPD-SHIVAMOGGA			Fabric Width: 54.0 in Width Type: cuttable Primary Weight: 260.0 g/m2							RE 12001OS	India	2.69	0.0	37	60
100033	Poplin (4.0 oz.)	yd	100% Cotton	unassigned	MaterialCoatingNone	MaterialFinishNone	MaterialLaminateNone								
Manju Exports			Fabric Width: 43.0 in Width Type: cuttable Primary Weight: 127.0 g/m2							100033	India	1.49	0.0	60	60
Sri Krishna Spinning and Weaving Mills Pvt Ltd			Fabric Width: 56.0 in Width Type: cuttable Primary Weight: 125.0 g/m2							100033	India	1.53	0.0	37	60
SHAHI EXPORTS PVT. LTD. WPD-SHIVAMOGGA			Fabric Width: 56.0 in Width Type: cuttable Primary Weight: 125.0 g/m2							TBD	India	1.49	0.0	35	65
100267	Pocketing (T/C)	yd	65% Polyester, 35% Cotton	unassigned	unassigned	Mercerized	unassigned								
Manju Exports			Fabric Width: 56.0 in Width Type: cuttable Primary Weight: 106.0 g/m2							100267	India	2.2	0.0	60	60
FGV - Jensmart International Ltd. (JNS)			Fabric Width: 43.0 in Width Type: cuttable Primary Weight: 100.0 g/m2							100267	China	0.85	0.0	30	45
SHAHI EXPORTS PVT. LTD. WPD-SHIVAMOGGA			Fabric Width: 56.0 in Width Type: cuttable Primary Weight: 105.0 g/m2								India	1.33	0.95	30	45
FGV - Shahi Exports Pvt. (SEP) Ltd.			Fabric Width: 56.0 in Width Type: cuttable Primary Weight: 105.0 g/m2								India	0.79	0.0	30	45
011953	Interlining Non-Woven Fusible Medium Weight for Garment Wash	yd	100% Polyester	unassigned	unassigned	unassigned	unassigned								
Freudenberg-Hong Kong			Fabric Width: 35.0 in Width Type: cuttable Primary Weight: 47.0 g/m2							AP88	Taiwan	0.42	0.0	14	21
MaxBond			Fabric Width: 48.0 in Width Type: cuttable Primary Weight: 47.0 g/m2							UD9937	Vietnam	0.39	0.0	10	20
PCC asia LLC			Fabric Width: 60.0 in Width Type: cuttable Primary Weight: 40.0 g/m2							CL888	China	0.41	0.0	14	21
Trim															
104886	27L Columbia Columbia Ring metal shank button	set	unassigned	unassigned	unassigned	unassigned	unassigned	Size UM: set							

Part Specifications with Approved Suppliers

Line Slot: Pitchstone Outdoor Pant State: Production Season: F25
 Merchandise Division: Sportswear Merchandise Collection: Outdoor Product Class: Woven Pant
 Designer: owen.kessel Developer: jessie.desue LO Developer: triveni.hebbbar Sourcing Manager: melissa.gallagher
 Fit Engineer: ann.lewis



Design: F5MS213567 Sample LO: India Production LO: India Vendor Master: INDIA Vendor Master: INDIA
 Style: Material Style Style Description Pattern Base Size Size Scale Fit SMU Type
 AE5300 2135673 Pitchstone™ Outdoor Pant M25AM0775 32 28 - 38 Pan-Asian Regular N/A

Number	Description	UM	Fiber Content	Fiber Content Back	Material Coating	Material Finish (Face)	Material Laminate	Trim Specific	Supplier Art No	Country of Origin	Standard Cost (FOB)	Purchase Cost (CIF)	Product on Lead Time with Greige	Product on Lead Time without Greige
YKK Global									104886 (metal finish only)	unassigned	0.0433	0.0	30	40
008166	1.5mm non stretch drawcord w/ticks 2 clr (ECO version use 082935)	yd	100% Polyester	unassigned	unassigned	unassigned	unassigned	Size UM: yd						
Chun Wo Ho Co. Ltd									320704	China	0.07	0.0	30	35
Gong Myung Korea									GM-8166	South Korea	0.0483	0.0	30	30
Paiho Global									008166	Taiwan	0.049	0.0	30	60
Naturub Group of Companies									BBA011534 (Multicolor) / BBA-011773 (Solid color)	Bangladesh	0.0442	0.0	15	25
FGV Sourced									008166	unassigned	0.0609	0.0	15	0
FGV - Shahi Exports Pvt. (SEP) Ltd.									008166	India	0.045	0.0	15	25
077256	35mm Gem Columbia Flat Woven Label with starch	ea	100% Recycled Polyester	unassigned	unassigned	unassigned	unassigned	Size UM: mm						
Nexgen Packaging Global									077256	China	0.025	0.0	21	28
Avery Dennison Global									077256	unassigned	0.02532	0.0	30	30
Manohar Filaments									23/11813/16	India	0.0194	0.0	30	30
008214	Coats ASTRA Spun Polyester Tex 27 40/2	meter	100% Polyester	unassigned	unassigned	unassigned	unassigned	Size UM: tex						
Coats Global Thread									EV65120	unassigned	0.0003	0.0	0	0
008213	Coats ASTRA Tex 80 spun poly	meter	100% Polyester	unassigned	unassigned	unassigned	unassigned	Size UM: tex						
Coats Global Thread									EV62030	unassigned	0.00087	0.0	0	0
013264	Coats ASTRA Spun Poly Tex 60 for sewing lightweight woven and knits	meter	100% Polyester	unassigned	unassigned	unassigned	unassigned	Size UM: tex						
Coats Global Thread									EV65050	unassigned	0.00052	0.0	0	0
126125	CIFC-56 DA8 E B-E Clsd AutoLk Emml Sldr/PI EnmlBtmStop(YKK) Metal content	ea	unassigned	unassigned	unassigned	unassigned	unassigned	Size UM: ea Length: 4.0						
Ideal Fastener Global									NUWIC56-N56-IP32	unassigned	0.11	0.0	21	28

Part Specifications with Approved Suppliers

Line Slot: Pitchstone Outdoor Pant State: Production Season: F25
 Merchandise Division: Sportswear Merchandise Collection: Outdoor Product Class: Woven Pant
 Designer: owen.kessel Developer: jessie.desue LO Developer: triveni.hebbar Sourcing Manager: melissa.gallagher
 Fit Engineer: ann.lewis



Design: F5MS213567 Sample LO: India Production LO: India Vendor Master: INDIA Vendor Master: INDIA
 Production LO: Sourcing LO:
 Style: Material Style Style Description Pattern Base Size Size Scale Fit SMU Type
 AE5300 2135673 Pitchstone™ Outdoor Pant M25AM0775 32 28 - 38 Pan-Asian Regular N/A

Number	Description	UM	Fiber Content	Fiber Content Back	Material Coating	Material Finish (Face)	Material Laminate	Trim Specific	Supplier Art No	Country of Origin	Standard Cost (FOB)	Purchase Cost (CIF)	Product on Lead Time with Greige	Product on Lead Time without Greige
126851	CHC-36 DACR-S EF P-TOP Concealed Coil Clsd AutoLk Cramper PI MatteEnml Slidr/PI PlasticTopStop MUST USE A CORDED PULL WITH THIS ZIPPER ROC PRODUCT ONLY	ea	36.56% Zinc, 34.43% Recycled Polyester, 26.65% Polyester, 2.36% Stainless Steel	unassigned	unassigned	Enameled Finish - Matte	unassigned	Size UM: ea Length: 4.0						
Ideal Fastener Global									IECCU36-C36SCJO-IP41	China	0.1489	0.0	21	28
YKK Global									CHC-36 DA4CR1 EFJ PB10 KENSIN NANTI PTO3 Concealed Coil Clsd AutoLk Cramper PI MatteEnml Slidr...	Taiwan	0.13	0.0	35	40
059199	40mm CSC Main /International ECO Size Woven Loop Label 3 clr	ea	100% Recycled Polyester	unassigned	unassigned	unassigned	unassigned	Size UM: mm						
Avery Dennison Global									059199	China	0.04455	0.0	30	30
Dong Young									DY-59199	South Korea	0.052	0.0	25	25
Manohar Filaments									23/11813/5	India	0.0404	0.0	30	30
006564	33mm Care Content ECO Booklet Fold label with fully translated country of origin WHT/BLK for most, BLK/WHT for Titanium only, GRY/BLK is for Garment DYE ONLY-waiting on updated artwork	ea	100% Recycled Polyester	unassigned	unassigned	unassigned	unassigned	Size UM: mm						
Dong Young									DY-006564	South Korea	0.04	0.0	15	15
Finotex El Salvador									006564	El Salvador	0.0	0.0	10	0
Avery Dennison Global									S2088861-8	China	0.016	0.0	30	30
Bao Shen (Apparel)									YL151100030 PS7530A5	unassigned	0.016	0.0	7	21
Nexgen Packaging Global									006564	unassigned	0.0221	0.0	21	28

Part Specifications with Approved Suppliers

Line Slot: Pitchstone Outdoor Pant State: Production Season: F25
 Merchandise Division: Sportswear Merchandise Collection: Outdoor Product Class: Woven Pant
 Designer: owen.kessel Developer: jessie.desue LO Developer: triveni.hebbbar Sourcing Manager: melissa.gallagher
 Fit Engineer: ann.lewis



Design: F5MS213567 Sample LO: India Production LO: India Vendor Master INDIA Vendor Master INDIA
 Style Material Style Style Pattern Base Size Size Scale Fit SMU Type
 Description
 AE5300 2135673 Pitchstone™
 Outdoor Pant M25AM0775 32 28 - 38 Pan-Asian Regular N/A

Number	Description	UM	Fiber Content	Fiber Content Back	Material Coating	Material Finish (Face)	Material Laminate	Trim Specific	Supplier Art No	Country of Origin	Standard Cost (FOB)	Purchase Cost (CIF)	Product on Lead Time with Greige	Product on Lead Time without Greige
097305	Columbia No Tech Hangtag	ea	unassigned	unassigned	unassigned	unassigned	unassigned	Size UM: cm						
Hang Sang Press Co. Ltd									n/a	unassigned	0.0167	0.0	0	0
Bao Shen (Apparel)									097305	Vietnam	0.014	0.0	7	21
Finotex El Salvador									n/a	unassigned	0.0233	0.0	21	28
131413	M Straight Leg Regular Joker	ea	unassigned	unassigned	unassigned	unassigned	unassigned	Size UM: in						
Hang Sang Press Co. Ltd									n/a	unassigned	0.036	0.0	0	0
Bao Shen (Apparel)									n/a	unassigned	0.0324	0.0	0	0
121612	MSRP/UPC with RFID Specs for MSRP. Please refer to VAS specs for any exceptions. MSRP required on all product shipping to the US.	ea	unassigned	unassigned	unassigned	unassigned	unassigned	Size UM: mm						
Bao Shen (Apparel)									n/a	unassigned	0.049	0.0	7	0
Avery Dennison Global									n/a	unassigned	0.04875	0.0	14	0
980001	Polybag See Standard CCS 4200 for specifications	ea	unassigned	unassigned	unassigned	unassigned	unassigned	Size UM: mm						
Contractor									980001	unassigned	0.0	0.0	0	0
980010	UPC Bag Sticker Generic (MHW/Columbia) See CCS4400/ 4401 and MHW4402 for Mt Hardware for instructions	ea	unassigned	unassigned	unassigned	unassigned	unassigned	Size UM: mm						
Hang Sang Press Co. Ltd									980010	Hong Kong	0.016	0.0	14	14
Avery Dennison Global									980010	China	0.01089	0.0	30	30
FGV Sourced									980010	unassigned	0.0	0.0	0	0
Bao Shen (Apparel)									980010	unassigned	0.011	0.0	7	21
Nexgen Packaging Global									980010	unassigned	0.011	0.0	21	28
064194	Outer Carton for costing purpose only	ea	unassigned	unassigned	unassigned	unassigned	unassigned	Size UM: mm						
Contractor									064194	unassigned	0.0	0.0	0	0

This is confidential and proprietary information of Columbia Sportswear Company. You agree that you will not disclose this information to any third party or use it for any purpose other than on behalf of Columbia. You have no right to use Columbia's name or any of its trademarks, trade names, copyrights, patents, designs or other intellectual property except as set forth in writing by Columbia.

Color BOM

Line Slot: Pitchstone Outdoor Pant
 Merchandise Division: Sportswear
 Designer: owen.kessel
 Fit Engineer: ann.lewis

Merchandise Collection: Outdoor
 Developer: jessie.desue

State: Production
 Product Class: Woven Pant
 LO Developer: triveni.hebbar

Season: F25
 Sourcing Manager: melissa.gallagher



Design: F5MS213567 Sample LO: India Production LO: India
 Style: Material Style Style Description: Pattern Base Size: Size Scale Fit: SMU Type
 AE5300 2135673 Pitchstone™ Outdoor Pant M25AM0775 32 28 - 38 Pan-Asian Regular N/A

Component	Details	Placement	Usage	Width	Marker Width	010-Black	023-City Grey	257-Delta	271-Ancient Fossil	397-Stone Green
SAP Material Code						213567101 0	213567102 3	213567125 7	213567227 1	213567139 7
						213567201 0	213567202 3	213567225 7	213567327 1	213567239 7
						213567301 0	213567302 3	213567325 7	213567127 1	213567339 7
SMU Accounts						N/A	N/A	N/A	N/A	N/A
Shell 1	110489 Heavy Twill with Stretch (Version of 089519) Twill 97% Cotton, 3% Elastane 133 X 76 21 x 20+70D MaterialFinishNone MaterialCoatingNone MaterialLaminateNone 260.0 g/m2 Piece Dye/Pad NA		1.678 yd	54.0	0	Black	City Grey	Delta	Ancient Fossil	Stone Green
Lining 1	100033 Poplin (4.0 oz.) Poplin 100% Cotton 132 X 72 40s x 40s MaterialFinishNone MaterialCoatingNone MaterialLaminateNone 125.0 g/m2 Piece Dye/Continuous NA		0.116 yd	56.0	0	Black	City Grey	Delta	Ancient Fossil	Stone Green
Lining 2	100267 Pocketing (T/C) Poplin 65% Polyester, 35% Cotton 110 X 76 45 pc X 45 pc Mercerized 105.0 g/m2 Scouring-Bleaching NA		0.31 yd	56.0	0	White	White	White	White	White

Color BOM

Line Slot: Pitchstone Outdoor Pant
 Merchandise Division: Sportswear
 Designer: owen.kessel
 Fit Engineer: ann.lewis

Merchandise Collection: Outdoor
 Developer: jessie.desue

State: Production
 Product Class: Woven Pant
 LO Developer: triveni.hebbar

Season: F25
 Sourcing Manager: melissa.gallagher



Design: F5MS213567	Sample LO: India	Production LO: India
Style: Material Style	Style Description: Pattern	Base Size: Size Scale
AE5300: 2135673	Pitchstone™ Outdoor Pant: M25AM0775	32: 28 - 38
		Fit: Pan-Asian Regular
		SMU Type: N/A

Component	Details	Placement	Usage	Width	Marker Width	010-Black	023-City Grey	257-Delta	271-Ancient Fossil	397-Stone Green
SAP Material Code						213567101 0	213567102 3	213567125 7	213567227 1	213567139 7
						213567201 0	213567202 3	213567225 7	213567327 1	213567239 7
						213567301 0	213567302 3	213567325 7	213567127 1	213567339 7
Interfacing 1	011953 Interlining Non-Woven Fusible Medium Weight for Garment Wash Interlining 100% Polyester 40.0 g/m2		0.165 yd	60.0	0	White	White	White	White	White
Button 1	104886 27L Columbia Columbia Ring metal shank button		1 set	0.0	0	Antique Silver Finish	Antique Silver Finish	Antique Silver Finish	Antique Silver Finish	Antique Silver Finish
Drawcord-Cording-Laces 1	008166 1.5mm non stretch drawcord w/ticks 2 clr (ECO version use 082935)	phemos	0.621 yd	0.0	0	Black, Grill	Grill, Columbia Grey	Black, Grill	Grill, Columbia Grey	Stone Green, Greenscape
Label Logo 1	077256 35mm Gem Columbia Flat Woven Label with starch		1 ea	0.0	0	Grill, Columbia Grey	Grill, Columbia Grey	Black, White	Columbia Grey, Grill	Black, White
Thread 1	008214 Coats ASTRA Spun Polyester Tex 27 40/2		242.5 meter	0.0	0	DTM	DTM	DTM	DTM	DTM
Thread 2	008213 Coats ASTRA Tex 80 spun poly	topstitch	58.2 meter	0.0	0	DTM	DTM	DTM	DTM	DTM
Thread 3	013264 Coats ASTRA Spun Poly Tex 60 for sewing lightweight woven and knits	bobbin	87.3 meter	0.0	0	DTM	DTM	DTM	DTM	DTM
Zipper 1	126125 C1FC-56 DA8 E B-E Clsd AutoLk Emml Slidr/PI EnmlBtmStop(YKK) Metal content Length: 4.0	fly	1 ea	0.0	0	Black	City Grey	Delta	Ancient Fossil	Stone Green
Zipper 2	126851 CHC-36 DACR-S EF P-TOP Concealed Coil Clsd AutoLk Cramper PI MatteEnml Slidr/PI PlasticTopStop MUST USE A CORDED PULL WITH THIS ZIPPER ROC PRODUCT ONLY Length: 4.0	security pocket	1 ea	0.0	0	Black	City Grey	Delta	Ancient Fossil	Stone Green

Color BOM

Line Slot: Pitchstone Outdoor Pant
 Merchandise Division: Sportswear
 Designer: owen.kessel
 Fit Engineer: ann.lewis

Merchandise Collection: Outdoor
 Developer: jessie.desue

State: Production
 Product Class: Woven Pant
 LO Developer: triveni.hebbar

Season: F25
 Sourcing Manager: melissa.gallagher



Design: F5MS213567	Sample LO: India	Production LO: India
Style AE5300	Material Style 2135673	Style Description Pitchstone™ Outdoor Pant
Pattern M25AM0775	Base Size 32	Size Scale 28 - 38
	Fit Pan-Asian Regular	SMU Type N/A

Component	Details	Placement	Usage	Width	Marker Width	010-Black	023-City Grey	257-Delta	271-Ancient Fossil	397-Stone Green
SAP Material Code						213567101 0	213567102 3	213567125 7	213567227 1	213567139 7
						213567201 0	213567202 3	213567225 7	213567327 1	213567239 7
						213567301 0	213567302 3	213567325 7	213567127 1	213567339 7
Label 1	059199 40mm CSC Main /International ECO Size Woven Loop Label 3 clr		1 ea	0.0	0	White, Columbia Grey, Compass Blue	White, Columbia Grey, Compass Blue	White, Columbia Grey, Compass Blue	White, Columbia Grey, Compass Blue	White, Columbia Grey, Compass Blue
Label 2	006564 33mm Care Content ECO Booklet Fold label with fully translated country of origin WHT/BLK for most, BLK/WHT for Titanium only, GRY/BLK is for Garment DYE ONLY- waiting on updated artwork		1 ea	0.0	0	White, Black	White, Black	White, Black	White, Black	White, Black
Hangtag Package Part	097305 Columbia No Tech Hangtag		1 ea	0.0	0	Artwork	Artwork	Artwork	Artwork	Artwork
Hangtag Package Part	131413 M Straight Leg Regular Joker		1 ea	0.0	0	Artwork	Artwork	Artwork	Artwork	Artwork
Hangtag Package Part	121612 MSRP/UPC with RFID Specs for MSRP. Please refer to VAS specs for any exceptions. MSRP required on all product shipping to the US.		1 ea	0.0	0	Artwork	Artwork	Artwork	Artwork	Artwork
Packaging 1	980001 Polybag See Standard CCS 4200 for specifications		1 ea	0.0	0	Stock	Stock	Stock	Stock	Stock
Packaging 2	980010 UPC Bag Sticker Generic (MHW/Columbia) See CCS4400/ 4401 and MHW4402 for Mt Hardware for instructions		1 ea	0.0	0	Artwork	Artwork	Artwork	Artwork	Artwork
Packaging 3	064194 Outer Carton for costing purpose only		1 ea	0.0	0	Stock	Stock	Stock	Stock	Stock

This is confidential and proprietary information of Columbia Sportswear Company. You agree that you will not disclose this information to any third party or use it for any purpose other than on behalf of Columbia. You have no right to use Columbia's name or any of its trademarks, trade names, copyrights, patents, designs or other intellectual property except as set forth in writing by

Color BOM

Line Slot: Pitchstone Outdoor Pant
Merchandise Division: Sportswear
Designer: owen.kessel
Fit Engineer: ann.lewis

Merchandise Collection: Outdoor
Developer: jessie.desue

State: Production
Product Class: Woven Pant
LO Developer: triveni.hebbbar

Season: F25
Sourcing Manager: melissa.gallagher

Design:	F5MS213567	Sample LO:	India	Production LO:	India		
Style	Material Style	Style Description	Pattern	Base Size	Size Scale	Fit	SMU Type
AE5300	2135673	Pitchstone™ Outdoor Pant	M25AM0775	32	28 - 38	Pan-Asian Regular	N/A



Columbia.

Colorless BOM

Line Slot: Pitchstone Outdoor Pant State: Production Season: F25
 Merchandise Division: Sportswear Merchandise Collection: Outdoor Product Class: Woven Pant
 Designer: owen.kessel Developer: jessie.desue LO Developer: triveni.hebbar Sourcing Manager: melissa.gallagher
 Fit Engineer: ann.lewis

Design: F5MS213567 Sample LO: India Production LO: India

Style	Material Style	Style Description	Pattern	Base Size	Size Scale	Fit	SMU Type
AE5300	2135673	Pitchstone™ Outdoor Pant	M25AM0775	32	28 - 38	Pan-Asian Regular	N/A



Component	Details	Placement	Usage	Width	Marker Width
SAP Material Code					
Shell 1	110489 Heavy Twill with Stretch (Version of 089519) Twill 97% Cotton, 3% Elastane 133 X 76 21 x 20+70D MaterialFinishNone MaterialCoatingNone MaterialLaminateNone 260.0 g/m2 Piece Dye/Pad NA		1.678 yd	54.0	0
Lining 1	100033 Poplin (4.0 oz.) Poplin 100% Cotton 132 X 72 40s x 40s MaterialFinishNone MaterialCoatingNone MaterialLaminateNone 125.0 g/m2 Piece Dye/Continuous NA		0.116 yd	56.0	0
Lining 2	100267 Pocketing (T/C) Poplin 65% Polyester, 35% Cotton 110 X 76 45 pc X 45 pc Mercerized 105.0 g/m2 Scouring-Bleaching NA		0.31 yd	56.0	0
Interfacing 1	011953 Interlining Non-Woven Fusible Medium Weight for Garment Wash Interlining 100% Polyester 40.0 g/m2		0.165 yd	60.0	0
Button 1	104886 27L Columbia Columbia Ring metal shank button		1 set	0.0	0
Drawcord-Cording-Laces 1	008166 1.5mm non stretch drawcord w/ticks 2 clr (ECO version use 082935)	phemos	0.621 yd	0.0	0
Label Logo 1	077256 35mm Gem Columbia Flat Woven Label with starch		1 ea	0.0	0
Thread 1	008214 Coats ASTRA Spun Polyester Tex 27 40/2		242.5 meter	0.0	0
Thread 2	008213 Coats ASTRA Tex 80 spun poly	topstitch	58.2 meter	0.0	0
Thread 3	013264 Coats ASTRA Spun Poly Tex 60 for sewing lightweight woven and knits	bobbin	87.3 meter	0.0	0
Zipper 1	126125 CIFC-56 DA8 E B-E Cisd AutoLk Emml Sldr/PI EnmlBtmStop(YKK) Metal content Length: 4.0	fly	1 ea	0.0	0

Colorless BOM



Line Slot: Pitchstone Outdoor Pant State: Production Season: F25
 Merchandise Division: Sportswear Merchandise Collection: Outdoor Product Class: Woven Pant
 Designer: owen.kessel Developer: jessie.desue LO Developer: triveni.hebbbar Sourcing Manager: melissa.gallagher
 Fit Engineer: ann.lewis

Design: F5MS213567 Sample LO: India Production LO: India

Style	Material Style	Style Description	Pattern	Base Size	Size Scale	Fit	SMU Type
AE5300	2135673	Pitchstone™ Outdoor Pant	M25AM0775	32	28 - 38	Pan-Asian Regular	N/A

Component	Details	Placement	Usage	Width	Marker Width
SAP Material Code					
Zipper 2	126851 CHC-36 DACR-S EF P-TOP Concealed Coil Cldsd AutoLk Cramper PI MatteEnml Sldr/PI PlasticTopStop MUST USE A CORDED PULL WITH THIS ZIPPER ROC PRODUCT ONLY Length: 4.0	security pocket	1 ea	0.0	0
Label 1	059199 40mm CSC Main /International ECO Size Woven Loop Label 3 clr		1 ea	0.0	0
Label 2	006564 33mm Care Content ECO Booklet Fold label with fully translated country of origin WHT/BLK for most, BLK/WHT for Titanium only, GRY/BLK is for Garment DYE ONLY- waiting on updated artwork		1 ea	0.0	0
Hangtag Package Part	097305 Columbia No Tech Hangtag		1 ea	0.0	0
Hangtag Package Part	131413 M Straight Leg Regular Joker		1 ea	0.0	0
Hangtag Package Part	121612 MSRP/UPC with RFID Specs for MSRP. Please refer to VAS specs for any exceptions. MSRP required on all product shipping to the US.		1 ea	0.0	0
Packaging 1	980001 Polybag See Standard CCS 4200 for specifications		1 ea	0.0	0
Packaging 2	980010 UPC Bag Sticker Generic (MHW/Columbia) See CCS4400/ 4401 and MHW4402 for Mt Hardwear for instructions		1 ea	0.0	0
Packaging 3	064194 Outer Carton for costing purpose only		1 ea	0.0	0

This is confidential and proprietary information of Columbia Sportswear Company. You agree that you will not disclose this information to any third party or use it for any purpose other than on behalf of Columbia. You have no right to use Columbia's name or any of its trademarks, trade names, copyrights, patents, designs or other intellectual property except as set forth in writing by Columbia.

Color Specification

Line Slot: Pitchstone Outdoor Pant
 Merchandise Division: Sportswear
 Designer: owen.kessel
 Fit Engineer: ann.lewis

Merchandise Collection: Outdoor
 Developer: jessie.desue

State: Production
 Product Class: Woven Pant
 LO Developer: triveni.hebbar

Season: F25
 Sourcing Manager: melissa.gallagher



Design:	F5MS213567	Sample LO:	India	Production LO:	India		
Style	Material Style	Style Description	Pattern	Base Size	Size Scale	Fit	SMU Type
AE5300	2135673	Pitchstone™ Outdoor Pant	M25AM0775	32	28 - 38	Pan-Asian Regular	N/A

Component - Material	010-Black	023-City Grey	257-Delta	271-Ancient Fossil	397-Stone Green
Shell 1 - 110489	Black	City Grey	Delta	Ancient Fossil	Stone Green
Lining 1 - 100033					
Zipper 1 - 126125					
Zipper 2 - 126851					
Lining 2 - 100267	White	White	White	White	White
Interfacing 1 - 011953					
Button 1 - 104886	Antique Silver Finish	Antique Silver Finish	Antique Silver Finish	Antique Silver Finish	Antique Silver Finish
Drawcord-Cording-Laces 1 - 008166	Black, Grill	Grill, Columbia Grey	Black, Grill	Grill, Columbia Grey	Stone Green, Greenscape
Label Logo 1 - 077256	Grill, Columbia Grey	Grill, Columbia Grey	Black, White	Columbia Grey, Grill	Black, White
Thread 1 - 008214	DTM	DTM	DTM	DTM	DTM
Thread 2 - 008213					
Thread 3 - 013264					
Label 1 - 059199	White, Columbia Grey, Compass Blue	White, Columbia Grey, Compass Blue	White, Columbia Grey, Compass Blue	White, Columbia Grey, Compass Blue	White, Columbia Grey, Compass Blue
Label 2 - 006564	White, Black	White, Black	White, Black	White, Black	White, Black
Hangtag Package Part - 097305	Artwork	Artwork	Artwork	Artwork	Artwork
Hangtag Package Part - 131413					
Hangtag Package Part - 121612					
Packaging 2 - 980010					
Packaging 1 - 980001	Stock	Stock	Stock	Stock	Stock
Packaging 3 - 064194					

This is confidential and proprietary information of Columbia Sportswear Company. You agree that you will not disclose this information to any third party or use it for any purpose other than on behalf of Columbia. You have no right to use Columbia's name or any of its trademarks, trade names, copyrights, patents, designs or other intellectual property except as set forth in writing by Columbia.

Costing BOM

Line Slot: Pitchstone Outdoor Pant
 Merchandise Division: Sportswear
 Designer: owen.kessel
 Fit Engineer: ann.lewis

Merchandise Collection: Outdoor
 Developer: jessie.desue

State: Production
 Product Class: Woven Pant
 LO Developer: triveni.hebbar

Season: F25
 Sourcing Manager: melissa.gallagher



Design:	F5MS213567	Sample LO:	India	Production LO:	India		
Style	Material Style	Style Description	Pattern	Base Size	Size Scale	Fit	SMU Type
AE5300	2135673	Pitchstone™ Outdoor Pant	M25AM0775	32	28 - 38	Pan-Asian Regular	N/A

Colorway Number	Color Way	FOB Material	CIF Material	FOB Trim	CIF Trim	Allowance %	Total FOB	Total CIF
010	Black	5.152	0.000	0.767	0.000	0.0	5.919	0.000
023	City Grey	5.152	0.000	0.767	0.000	0.0	5.919	0.000
257	Delta	5.152	0.000	0.767	0.000	0.0	5.919	0.000
271	Ancient Fossil	5.152	0.000	0.767	0.000	0.0	5.919	0.000
397	Stone Green	5.152	0.000	0.767	0.000	0.0	5.919	0.000

Costing BOM

Line Slot: Pitchstone Outdoor Pant
 Merchandise Division: Sportswear
 Designer: owen.kessel
 Fit Engineer: ann.lewis

Merchandise Collection: Outdoor
 Developer: jessie.desue

State: Production
 Product Class: Woven Pant
 LO Developer: triveni.hebbbar

Season: F25
 Sourcing Manager: melissa.gallagher



Design:	F5MS213567	Sample LO:	India	Production LO:	India		
Style	Material Style	Style Description	Pattern	Base Size	Size Scale	Fit	SMU Type
AE5300	2135673	Pitchstone™ Outdoor Pant	M25AM0775	32	28 - 38	Pan-Asian Regular	N/A

Component	Material	Description	Fabric Width	Supplier	Locked	Country of Origin	Managin g Liaison Office	UoM	Target Cost	FOB Unit Cost	CIF Unit Cost	Usage	Wastage %	Total FOB	Total CIF
Shell 1	110489	Heavy Twill with Stretch (Version of 089519)	54.0	SHAHI EXPORT S PVT. LTD. WPD-SHIVAM OGGA	N	India	India	yd	0.0	2.69	0.0	1.678	3	4.649	0.000
Lining 1	100033	Poplin (4.0 oz.)	56.0	SHAHI EXPORT S PVT. LTD. WPD-SHIVAM OGGA	N	India	India	yd	1.28	1.49	0.0	0.116	5	0.181	0.000
Lining 2	100267	Pocketing (T/C)	56.0	FGV - Shahi Exports Pvt. (SEP) Ltd.	N	India	India	yd	0.0	0.79	0.0	0.310	3	0.252	0.000

Costing BOM

Line Slot: Pitchstone Outdoor Pant
 Merchandise Division: Sportswear
 Designer: owen.kessel
 Fit Engineer: ann.lewis

Merchandise Collection: Outdoor
 Developer: jessie.desue

State: Production
 Product Class: Woven Pant
 LO Developer: triveni.hebbar

Season: F25
 Sourcing Manager: melissa.gallagher



Design:	F5MS213567	Sample LO:	India	Production LO:	India		
Style	Material Style	Style Description	Pattern	Base Size	Size Scale	Fit	SMU Type
AE5300	2135673	Pitchstone™ Outdoor Pant	M25AM0775	32	28 - 38	Pan-Asian Regular	N/A

Component	Material	Description	Fabric Width	Supplier	Locked	Country of Origin	Managin g Liaison Office	UoM	Target Cost	FOB Unit Cost	CIF Unit Cost	Usage	Wastage %	Total FOB	Total CIF
Interfacing 1	011953	Interlining Non-Woven Fusible Medium Weight for Garment Wash	60.0	PCC asia LLC	Y	China	India	yd	0.0	0.41	0.0	0.165	3	0.070	0.000
Button 1	104886	27L Columbia Columbia Ring metal shank button	0.0	YKK Global	N	unassigne d	Portland	set	0.0	0.0433	0.0	1.000	2.0	0.044	0.000
Drawcord-Cording-Laces 1	008166	1.5mm non stretch drawcord w/ticks 2 clr (ECO version use 082935)	0.0	FGV - Shahi Exports Pvt. (SEP) Ltd.	Y	India	India	yd	0.0	0.045	0.0	0.621	7.0	0.030	0.000
Label Logo 1	077256	35mm Gem Columbia Flat Woven Label with starch	0.0	Manohar Filaments	Y	India	India	ea	0.0	0.0194	0.0	1.000	3.0	0.020	0.000

Costing BOM

Line Slot: Pitchstone Outdoor Pant
 Merchandise Division: Sportswear
 Designer: owen.kessel
 Fit Engineer: ann.lewis

Merchandise Collection: Outdoor
 Developer: jessie.desue

State: Production
 Product Class: Woven Pant
 LO Developer: triveni.hebbar

Season: F25
 Sourcing Manager: melissa.gallagher



Design: F5MS213567	Sample LO: India	Production LO: India
Style AE5300	Material Style 2135673	Style Description Pitchstone™ Outdoor Pant
Pattern M25AM0775	Base Size 32	Size Scale 28 - 38
Fit Pan-Asian Regular	SMU Type N/A	

Component	Material	Description	Fabric Width	Supplier	Locked	Country of Origin	Managing Liaison Office	UoM	Target Cost	FOB Unit Cost	CIF Unit Cost	Usage	Wastage %	Total FOB	Total CIF
Thread 1	008214	Coats ASTRA Spun Polyester Tex 27 40/2	0.0	Coats Global Thread	N	unassigned	Portland	meter	0.0	0.0003	0.0	242.500	5.0	0.076	0.000
Thread 2	008213	Coats ASTRA Tex 80 spun poly	0.0	Coats Global Thread	N	unassigned	Portland	meter	0.0	0.00087	0.0	58.200	5.0	0.053	0.000
Thread 3	013264	Coats ASTRA Spun Poly Tex 60 for sewing lightweight woven and knits	0.0	Coats Global Thread	N	unassigned	Portland	meter	0.0	0.00052	0.0	87.300	5.0	0.048	0.000
Zipper 1	126125	CIFC-56 DA8 E B-E Clsd AutoLk Emml Sldr/PI EnmlBtmStop(YK K) Metal content	0.0	Ideal Fastener Global	N	unassigned	Portland	ea	0.0	0.11	0.0	1.000	1.0	0.123	0.000

Costing BOM

Line Slot: Pitchstone Outdoor Pant
 Merchandise Division: Sportswear
 Designer: owen.kessel
 Fit Engineer: ann.lewis

Merchandise Collection: Outdoor
 Developer: jessie.desue

State: Production
 Product Class: Woven Pant
 LO Developer: triveni.hebbar

Season: F25
 Sourcing Manager: melissa.gallagher



Design: F5MS213567	Sample LO: India	Production LO: India
Style: Material Style	Style Description: Pattern	Base Size: Size Scale
AE5300: 2135673	Pitchstone™ Outdoor Pant: M25AM0775	32: 28 - 38
		Fit: SMU Type
		Pan-Asian Regular: N/A

Component	Material	Description	Fabric Width	Supplier	Locked	Country of Origin	Managing Liaison Office	UoM	Target Cost	FOB Unit Cost	CIF Unit Cost	Usage	Wastage %	Total FOB	Total CIF
Zipper 2	126851	CHC-36 DACR-S EF P-TOP Concealed Coil Closd AutoLk Cramper PI MatteEnml Slidr/PI PlasticTopStop MUST USE A CORDED PULL WITH THIS ZIPPER ROC PRODUCT ONLY	0.0	Ideal Fastener Global	Y	China	Portland	ea	0.0	0.1489	0.0	1.000	1.0	0.203	0.000
Label 1	059199	40mm CSC Main /International ECO Size Woven Loop Label 3 clr	0.0	Manohar Filaments	Y	India	India	ea	0.0	0.0404	0.0	1.000	3.0	0.042	0.000

Costing BOM

Line Slot: Pitchstone Outdoor Pant
 Merchandise Division: Sportswear
 Designer: owen.kessel
 Fit Engineer: ann.lewis

Merchandise Collection: Outdoor
 Developer: jessie.desue

State: Production
 Product Class: Woven Pant
 LO Developer: triveni.hebbar

Season: F25
 Sourcing Manager: melissa.gallagher



Design: F5MS213567	Sample LO: India	Production LO: India
Style AE5300	Material Style 2135673	Style Description Pitchstone™ Outdoor Pant
Pattern M25AM0775	Base Size 32	Size Scale 28 - 38
	Fit Pan-Asian Regular	SMU Type N/A

Component	Material	Description	Fabric Width	Supplier	Locked	Country of Origin	Managing Liaison Office	UoM	Target Cost	FOB Unit Cost	CIF Unit Cost	Usage	Wastage %	Total FOB	Total CIF
Label 2	006564	33mm Care Content ECO Booklet Fold label with fully translated country of origin WHT/BLK for most, BLK/WHT for Titanium only, GRY/BLK is for Garment DYE ONLY- waiting on updated artwork	0.0	Avery Dennison Global	N	China	Portland	ea	0.0	0.016	0.0	1.000	3.0	0.016	0.000
Hangtag Package Part	097305	Columbia No Tech Hangtag	0.0	Bao Shen (Apparel)	N	Vietnam	Portland	ea	0.0	0.014	0.0	1.000	3.0	0.014	0.000
Hangtag Package Part	131413	M Straight Leg Regular Joker	0.0	Hang Sang Press Co. Ltd	N	unassigned	Portland	ea	0.0	0.036	0.0	1.000	0.0	0.036	0.000

Costing BOM

Line Slot: Pitchstone Outdoor Pant
 Merchandise Division: Sportswear
 Designer: owen.kessel
 Fit Engineer: ann.lewis

Merchandise Collection: Outdoor
 Developer: jessie.desue

State: Production
 Product Class: Woven Pant
 LO Developer: triveni.hebbar

Season: F25
 Sourcing Manager: melissa.gallagher



Design: F5MS213567	Sample LO: India	Production LO: India
Style: Material Style	Style Description: Pattern	Base Size: Size Scale
AE5300: 2135673	Pitchstone™ Outdoor Pant: M25AM0775	32: 28 - 38
		Fit: Pan-Asian Regular
		SMU Type: N/A

Component	Material	Description	Fabric Width	Supplier	Locked	Country of Origin	Managing Liaison Office	UoM	Target Cost	FOB Unit Cost	CIF Unit Cost	Usage	Wastage %	Total FOB	Total CIF
Hangtag Package Part	121612	MSRP/UPC with RFID Specs for MSRP. Please refer to VAS specs for any exceptions. MSRP required on all product shipping to the US.	0.0	Avery Dennison Global	N	unassigned	Portland	ea	0.0	0.04875	0.0	1.000	5.0	0.051	0.000
Packaging 1	980001	Polybag See Standard CCS 4200 for specifications	0.0	Contractor	N	unassigned	Hong Kong	ea	0.0	0.0	0.0	1.000	3.0	0.000	0.000
Packaging 2	980010	UPC Bag Sticker Generic (MHW/Columbia) See CCS4400/4401 and MHW4402 for Mt Hardware for instructions	0.0	Avery Dennison Global	Y	China	Portland	ea	0.0	0.01089	0.0	1.000	5.0	0.011	0.000

Costing BOM

Line Slot: Pitchstone Outdoor Pant
 Merchandise Division: Sportswear
 Designer: owen.kessel
 Fit Engineer: ann.lewis

Merchandise Collection: Outdoor
 Developer: jessie.desue

State: Production
 Product Class: Woven Pant
 LO Developer: triveni.hebbar

Season: F25
 Sourcing Manager: melissa.gallagher



Design: F5MS213567	Sample LO: India	Production LO: India
Style AE5300	Material Style 2135673	Style Description Pattern Pitchstone™ Outdoor Pant
	Base Size 32	Size Scale 28 - 38
		Fit Pan-Asian Regular
		SMU Type N/A

Component	Material	Description	Fabric Width	Supplier	Locked	Country of Origin	Managing Liaison Office	UoM	Target Cost	FOB Unit Cost	CIF Unit Cost	Usage	Wastage %	Total FOB	Total CIF
Packaging 3	064194	Outer Carton for costing purpose only	0.0	Contractor	N	unassigned	Hong Kong	ea	0.0	0.0	0.0	1.000	3.0	0.000	0.000

Costing BOM

Line Slot: Pitchstone Outdoor Pant		State: Production		Season: F25	
Merchandise Division: Sportswear		Merchandise Collection: Outdoor		Product Class: Woven Pant	
Designer: owen.kessel		Developer: jessie.desue		LO Developer: triveni.hebbbar	
Fit Engineer: ann.lewis				Sourcing Manager: melissa.gallagher	
Design:	F5MS213567	Sample LO:	India	Production LO:	India
Style	Material Style	Style Description	Pattern	Base Size	Size Scale
AE5300	2135673	Pitchstone™ Outdoor Pant	M25AM0775	32	28 - 38
				Fit	SMU Type
				Pan-Asian Regular	N/A



This is confidential and proprietary information of Columbia Sportswear Company. You agree that you will not disclose this information to any third party or use it for any purpose other than on behalf of Columbia. You have no right to use Columbia's name or any of its trademarks, trade names, copyrights, patents, designs or other intellectual property except as set forth in writing by Columbia.

Care Report

Line Slot: Pitchstone Outdoor Pant	State: Production	Season: F25
Merchandise Division: Sportswear	Merchandise Collection: Outdoor	Product Class: Woven Pant
Designer: owen.kessel	Developer: jessie.desue	LO Developer: triveni.hebbar
Fit Engineer: ann.lewis		Sourcing Manager: melissa.gallagher
Design: F5MS213567	Sample LO: India	Production LO: India
Style AE5300	Material Style 2135673	Style Description Pitchstone™ Outdoor Pant
	Pattern M25AM0775	Base Size 32
	Size Scale 28 - 38	Fit Pan-Asian Regular
		SMU Type N/A



Care Code: 1004		Color Way Number	Color Way Name
English	Machine Wash Warm Gentle, Wash Separately, Do Not Bleach, Tumble Dry Low, Iron Low, If Present Do Not Iron Decal, Drycleanable		
French	Lavage machine à l'eau tiède, Cycle délicat, Laver séparément, Ne pas utiliser d'eau de javel, Séchage machine, basse température, Repasser à basse température, Le cas échéant, ne pas repasser la décalcomanie, Nettoyable à sec	010	Black
German	Schonwaschgang mit warmem Wasser, Separat waschen, Keine Bleichmittel verwenden, Trocknen im Wäschetrockner bei niedriger Temperatur, Bügeln mit niedriger Temperatur, Falls vorhanden, Dekorbild nicht bügeln, Reinigungsfähig	023	City Grey
Portuguese	Lavar à maquina com água morna, ciclo para roupas delicadas, Lavar separadamente, Não alvejar, Secar à máquina em temperatura baixa, Passar a ferro em baixa temperatura, Se presente, não passar o ferro sobre o decalque, Lavável a seco	257	Delta
Spanish	Lavar a máquina con agua tibia y en ciclo delicado, Lavar por separado, No usar lejía, Usar secadora a temperatura baja, Planchar a temperatura baja, En su caso, no planche la pegatina, Lavable en seco	271	Ancient Fossil
Italian	Lavare in lavatrice in acqua tiepida, ciclo delicato, Lavare separatamente, Non candeggiare, Asciugare a tamburo a bassa temperatura, Stirare con ferro a temperatura bassa, Se presente, non stirare la decalcomania, Lavabile a secco	397	Stone Green
Russian	Щадящая машинная стирка в теплой воде, Стирать отдельно, Не отбеливать, Сушить при низкой температуре, Гладить при низкой температуре, Если есть, не гладить наклейки и росписи на текстиле, Химчистка допускается		
Czech Republican	Praní v pračce při střední teplotě, jemný cyklus, Prát samostatně, Nebělit, Sušení v sušičce, nízká teplota, Žehlení při nízké teplotě, Nežehlit obtisky, jsou-li přítomny, Vhodné k chemickému čištění		
Hebrew	כביסה במכונה במים פושרים, כביסה עדינה, לכבס בנפרד, לא להלבין, לייבש במייבש כביסה בחום נמוך, לגהץ בחום נמוך, אם ישנה, לא לגהץ את מדבקת הדקאל, ניתן לניקות בניקוי יבש		
Hungarian	Géppel mossa, meleg vízzel, kímélő programmal, Különválasztva mossa, Ne használjon fehérítőt, Szárítógépben alacsony hőfokon szárítsa, Alacsony hőfokon vasalja, Ha van az anyagon matrica, azt ne vasalja, Vegytisztítható		
Polish	Prac w temperaturze nie przekraczającej 40°C, cykl delikatny, Prac oddzielnie, Nie chlorować, Można suszyć bębnowo, niska temperatura, Prasować w temperaturze do 100°C, Nie prasować ozdób, jeśli są obecne, Można czyścić chemicznie		
Portuguese Brazil	Lavar à maquina com água morna, ciclo para roupas delicadas, Lavar separadamente, Não alvejar, Secar em tambor rotativo em temperatura baixa, Passar a ferro em baixa temperatura, Se presente, não passar o ferro sobre o decalque, Lavável a seco		
Slovakian	Perte v pračce v teplej vode, šetriaci program, Perte oddelene, Neodfarbujte, Sušte v bubnovej sušičke pri nízkych otáčkach, Žehlite žehličkou s nízkou teplotou, Ak má štítok, nežehlite ho, Môže sa čistiť chemicky		
Slovenian	Nežno toplo strojno pranje, Prati posebej, Ne belite, Nizko strojno sušenje, Nizko likanje, Če obstaja, ne likati nalepk, Za suho čiščenje		
Spanish Latin American	Lavar a máquina con agua tibia y en ciclo delicado, Lavar por separado, No usar blanqueador, Usar secadora a temperatura baja, Planchar a temperatura baja, En su caso, no planche el diseño impreso, Lavable en seco		
Turkish	Makinada Yikanır, Ilik, Narin Program, Ayrı Yıkayın, Ağartıcı Kullanmayın, Tambur Kurutma, Düşük, Düşük Isıda Ütüleyin, Varsa Çıkartmayı Ütülemeyin, Kuru Temizleme Yapılır		
Chinese Simplified	温水慢循环机洗, 分开洗涤, 请勿漂白, 低温滚筒烘干, 低温熨烫, 如有, 请勿熨烫贴花, 可干洗		
Chinese Traditional	溫水慢迴圈機洗, 分開洗滌, 請勿漂白, 低溫滾筒烘乾, 低溫熨燙, 如有, 請勿熨燙貼花, 可乾洗		
Japanese	洗濯機ぬるま湯洗い(デリケートコース), 個別に洗濯してください, 漂白剤使用不可, 乾燥機使用可(低温), アイロン可(低温), 転写シールへのアイロン使用不可(ある場合), ドライクリーニング可		
Korean	가, , , 가, , , , 가,		
Danish	Varm maskinvask, skåne, Vask separat, Må ikke afbleges, Tør i tørretumbler, lav, Stryges ved lav temperatur, Tryk må ikke stryges, Kan renses kemisk		

Care Report

Line Slot: Pitchstone Outdoor Pant
 Merchandise Division: Sportswear
 Designer: owen.kessel
 Fit Engineer: ann.lewis

Merchandise Collection: Outdoor
 Developer: jessie.desue

State: Production
 Product Class: Woven Pant
 LO Developer: triveni.hebbar

Season: F25
 Sourcing Manager: melissa.gallagher

Design:	F5MS213567	Sample LO:	India	Production LO:	India		
Style	Material Style	Style Description	Pattern	Base Size	Size Scale	Fit	SMU Type
AE5300	2135673	Pitchstone™ Outdoor Pant	M25AM0775	32	28 - 38	Pan-Asian Regular	N/A



Norwegian	Maskinvask varm, forsiktig, Vaskes separat, Må ikke blekes, Tørketrommel, lav, Strykes lav temp., Ikke bruk strykejern på klistremerke, Kan renses
Swedish	Maskintvättas varmt mjuk cykel, Tvättas separat, Får inte blekas, Torktumlas på låg nivå, Stryks på lägsta nivå, Dekal får inte strykas om befintlig, Tål kemtvätt
Dutch	In wasmachine wassen, warm zacht, Apart wassen, Niet bleken, In droger op laag, Op laag strijken, Indien aanwezig sticker niet strijken, Mag gestoomd worden
French Canadian	Laver à la machine à l'eau tiède, cycle délicat, Laver séparément, Ne pas utiliser d'agent de blanchiment, Séchage par culbutage à basse température, Repasser à basse température, Ne pas repasser de décalcomanie, Peut se nettoyer à sec



Content Report

Line Slot: Pitchstone Outdoor Pant
 Merchandise Division: Sportswear
 Designer: owen.kessel
 Fit Engineer: ann.lewis

Merchandise Collection: Outdoor
 Developer: jessie.desue

State: Production
 Product Class: Woven Pant
 LO Developer: triveni.hebbar

Season: F25
 Sourcing Manager: melissa.gallagher



Design:	F5MS213567	Sample LO:	India	Production LO:	India		
Style	Material Style	Style Description	Pattern	Base Size	Size Scale	Fit	SMU Type
AE5300	2135673	Pitchstone™ Outdoor Pant	M25AM0775	32	28 - 38	Pan-Asian Regular	N/A

CONTENT CODE: D5U		97% Cotton, 3% Elastane	Color Way Number	Color Way Name
Shell:		97% Cotton, 3% Elastane		
Lining:		100% Cotton Exclusive of Trimming		
FRENCH	Extérieur:	97% Coton, 3% Élasthanne	397	Stone Green
	Doublure:	100% Coton Sauf les bordures	023	City Grey
			257	Delta
GERMAN	Außenhülle:	97% Baumwolle, 3% Elastan	271	Ancient Fossil
	Futter:	100% Baumwolle Ohne Besatz	010	Black
PORTUGUESE	Exterior:	97% Algodão, 3% Elastano		
	Revestimento:	100% Algodão Sem orlas		
SPANISH	Cubierta:	97% Algodón, 3% Elastano		
	Revestimiento:	100% Algodón Exclusivo de los ribetes		
ITALIAN	Guscio esterno:	97% Cotone, 3% Elastan		
	Fodera:	100% Cotone Ad eccezione dei bordini		
RUSSIAN	Оболочка:	97% Хлопок, 3% Эластан		
	Подклад:	100% Хлопок Без дополнительных деталей		
CZECH REPUBLICAN	Skořepina:	97% Bavlna, 3% Elastan		
	Podšívka:	100% Bavlna Bez nášivek		
HEBREW		מעטפת חיצונית: בטנה:		97% כותנה, 3% אלסטן 100% כותנה ללא קישוט
HUNGARIAN	Külső:	97% Pamut, 3% Elasztán		
	Bélés:	100% Pamut Szegélydíszén kívül		
POLISH	Powłoka:	97% Bawełna, 3% Elastan		
	Podszewka:	100% Bawełna Wyłączając naszywki		
PORTUGUESE BRAZIL	Exterior:	97% Algodão, 3% Elastano		
	Forro:	100% Algodão Sem adornos		
SLOVAKIAN	Plášť:	97% Bavlna, 3% Elastan		
	Podšívka:	100% Bavlna Okrem lemovania		
SLOVENIAN	Lupina:	97% Bombaž, 3% Elastan		
	Podloga:	100% Bombaž Brez obrezovanja		
SPANISH LATIN AMERICAN	Cubierta:	97% Algodón, 3% Elastano		
	Revestimiento:	100% Algodón Exclusivo de los ribetes		
TURKISH	Kabuk:	97% Pamuk, 3% Elastan		
	Astar:	100% Pamuk Süsler Hariç		

Content Report

Line Slot: Pitchstone Outdoor Pant
 Merchandise Division: Sportswear
 Designer: owen.kessel
 Fit Engineer: ann.lewis

Merchandise Collection: Outdoor
 Developer: jessie.desue

State: Production
 Product Class: Woven Pant
 LO Developer: triveni.hebbar

Season: F25
 Sourcing Manager: melissa.gallagher



Design:	F5MS213567	Sample LO:	India	Production LO:	India		
Style	Material Style	Style Description	Pattern	Base Size	Size Scale	Fit	SMU Type
AE5300	2135673	Pitchstone™ Outdoor Pant	M25AM0775	32	28 - 38	Pan-Asian Regular	N/A

CHINESE SIMPLIFIED	外壳:	97% 棉, 3% 弹性
	衬里:	100% 棉 不包括装饰品
CHINESE TRADITIONAL	外壳:	97% 棉, 3% 弹性
	衬里:	100% 棉 不包括装饰品
JAPANESE	シエル:	97% 綿, 3% エラスティン
	裏地:	100% 綿 装饰品を除く
KOREAN	:	97% , 3%
	:	100%
DANISH	Skal:	97% Bomuld, 3% Elastan
	Foring:	100% Bomuld Inkluderer ikke kant
NORWEGIAN	Skall:	97% Bomull, 3% Elastan
	Foring:	100% Bomull Eksklusiv trimming
SWEDISH	Ytterdel:	97% Bomull, 3% Elastan
	Foder:	100% Bomull Utan trimming
DUTCH	Schelp:	97% Katoen, 3% Elastaan
	Bekleding:	100% Katoen Exclusief trimmen
FRENCH CANADIAN	Extérieur:	97% Coton, 3% Élasthane
	Doublure:	100% Coton Exclut les bordures

Pattern Piece Detail



Line Slot: Pitchstone Outdoor Pant		State: Production		Season: F25			
Merchandise Division: Sportswear		Merchandise Collection: Outdoor		Product Class: Woven Pant			
Designer: owen.kessel		Developer: jessie.desue		LO Developer: triveni.hebbar			
Fit Engineer: ann.lewis		Sourcing Manager: melissa.gallagher					
Design:	F5MS213567	Sample LO:	India	Production LO:	India		
Style	Material Style	Style Description	Pattern	Base Size	Size Scale	Fit	SMU Type
AE5300	2135673	Pitchstone™ Outdoor Pant	M25AM0775	32	28 - 38	Pan-Asian Regular	N/A

M25AM0775 - 213567-1

Component	Quantity	Long Description	Abbreviation	Code
-----------	----------	------------------	--------------	------

This is confidential and proprietary information of Columbia Sportswear Company. You agree that you will not disclose this information to any third party or use it for any purpose other than on behalf of Columbia. You have no right to use Columbia's name or any of its trademarks, trade names, copyrights, patents, designs or other intellectual property except as set forth in writing by Columbia.

Measurements

Line Slot: Pitchstone Outdoor Pant
 Merchandise Division: Sportswear
 Designer: owen.kessel
 Fit Engineer: ann.lewis

Merchandise Collection: Outdoor
 Developer: jessie.desue

State: Production
 Product Class: Woven Pant
 LO Developer: triveni.hebbbar

Season: F25
 Sourcing Manager: melissa.gallagher



Design: F5MS213567	Sample LO: India	Production LO: India
Style: Material Style	Style Description: Pattern	Base Size: Size Scale
AE5300: 2135673	Pitchstone™ Outdoor Pant: M25AM0775	32: 28 - 38
		Fit: Pan-Asian Regular
		SMU Type: N/A

Sort Order		Use	Type	Placemen t	(+/-)	28	30	32	34	36	38
Grade Rule: CSC Pan Asia Mens Sportswear Pants and Capri (Numeric) - 28-38 (32) - NT - Block: null											
4100.0	WAIST WIDTH AT TOP - circumference	QC	Graded		0.0	28.0	30.0	32.0	34.0	36.0	38.0
4103.0	WAIST WIDTH AT BOTTOM - circumference	QC	Graded		0.0	29.0	31.0	33.0	35.0	37.0	39.0
4150.0	WAISTBAND HEIGHT - bottoms		Graded		0.0	1.75	1.75	1.75	1.75	1.75	1.75
4180.0	BELT LOOP LENGTH		Graded		0.0	2.25	2.25	2.25	2.25	2.25	2.25
4181.0	BELT LOOP WIDTH		Graded		0.0	0.625	0.625	0.625	0.625	0.625	0.625
4182.0	BELT LOOP TOTAL QUANTITY		Graded		0.0	6.0	6.0	6.0	6.0	6.0	6.0
4200.0	HIP WIDTH POSITION - at side seam - including waistband		Graded		0.0	7.0	7.25	7.5	7.75	8.0	8.25
4201.0	HIP WIDTH POSITION - at front rise - including waistband		Graded		0.0	6.75	7.0	7.25	7.5	7.75	8.0
4250.0	HIP WIDTH (Bottoms) - circumference	QC	Graded		0.0	36.0	38.0	40.0	42.0	43.75	45.5
4400.0	FRONT RISE - from top of waistband	QC	Graded		0.0	10.0	10.375	10.75	11.25	11.75	12.25
4450.0	BACK RISE - from top of waistband	QC	Graded		0.0	14.5	14.875	15.25	15.75	16.25	16.75
4600.0	THIGH WIDTH - circumference - 1 inch down from crotch seam	QC	Graded		0.0	21.5	22.75	24.0	25.25	26.375	27.5
4700.0	KNEE WIDTH POSITION - down from crotch seam		Graded		0.0	14.0	14.0	14.0	14.0	14.0	14.0
4730.0	KNEE WIDTH - circumference	QC	Graded		0.0	15.0	15.75	16.5	17.25	18.0	18.75
4800.0	PANT LEG OPENING - circumference	QC	Graded		0.0	13.5	14.25	15.0	15.75	16.5	17.25
5000.0	PANT INSEAM LENGTH - graded	QC	Graded		0.0	29.5	29.75	30.0	30.5	31.0	31.5

Measurements

Line Slot: Pitchstone Outdoor Pant
 Merchandise Division: Sportswear
 Designer: owen.kessel
 Fit Engineer: ann.lewis

Merchandise Collection: Outdoor
 Developer: jessie.desue

State: Production
 Product Class: Woven Pant
 LO Developer: triveni.hebbar

Season: F25
 Sourcing Manager: melissa.gallagher



Design: F5MS213567	Sample LO: India	Production LO: India
Style: Material Style	Style Description: Pattern	Base Size: Size Scale
AE5300: 2135673	Pitchstone™ Outdoor Pant: M25AM0775	32: 28 - 38
		Fit: Pan-Asian Regular
		SMU Type: N/A

Sort Order	Use	Type	Placemen t	(+/-)	28	30	32	34	36	38	
5500.0	PANT OUTSEAM LENGTH - with waistband - graded	QC	Graded		0.0	39.25	39.75	40.375	41.25	42.25	43.125
6610.0	FRONT POCKET OPENING - horizontal from side seam - along waist seam or waist stitching		Varies By Style		0.125	1.75	2.0	2.0	2.0	2.25	2.25
6611.0	FRONT POCKET OPENING - vertical from waist seam or waist stitching		Varies By Style		0.125	6.5	7.0	7.0	7.0	7.5	7.5
6721.0	BACK POCKET WIDTH		Varies By Style		0.0	5.5	5.75	5.75	5.75	6.0	6.0
6722.0	BACK POCKET HEIGHT		Varies By Style		0.0	6.75	7.0	7.0	7.0	7.25	7.25
6800.0	FINISHED ZIPPER LENGTH - side pocket opening		Varies By Style		0.125	5.5	6.0	6.0	6.0	6.5	6.5
930.0	Drawcord-Cording-Laces 1		Component	phemos	0.0	7.0	7.0	7.0	7.0	7.0	7.0
3670.0	Zipper 1		Component	fly	0.0	5.0	5.5	5.5	5.5	6.0	6.0
3690.0	Zipper 2		Component	security pocket	0.0	7.0	7.5	7.5	7.5	8.0	8.0

This is confidential and proprietary information of Columbia Sportswear Company. You agree that you will not disclose this information to any third party or use it for any purpose other than on behalf of Columbia. You have no right to use Columbia's name or any of its trademarks, trade names, copyrights, patents, designs or other intellectual property except as set forth in writing by Columbia.

Sales Sample Comments - AE5300

Line Slot: Pitchstone Outdoor Pant
 Designer: owen.kessel

Developer: jessie.desue

State: Production
 LO Developer: triveni.hebbbar

Season: F25
 Sourcing Manager: melissa.gallagher



Style	Material Style	Style Description	Design	Pattern	Base Size	Size Scale	Sample LO	Production LO
AE5300	2135673	Pitchstone™ Outdoor Pant	F5MS213567	M25AM0775	32	28 - 38	India	India

Report #: 0000063656

Office: India Factory Code: SEP

Factory Name: SHAHI EXPORTS PVT. LTD.

Sample Sizes: 32

Estimated First Buy Date:

Factory Country of Origin: India

Comments: CC 010/023/257/397

MEASUREMENT CHART - SIZE 32

Point of Measure	Use	Type	(+/-)	Requested	LO Actual	Difference	QA Actual	Difference
WAIST WIDTH AT TOP - circumference	QC	Graded	0.0	32.0				
WAIST WIDTH AT BOTTOM - circumference	QC	Graded	0.0	33.0				
HIP WIDTH (Bottoms) - circumference	QC	Graded	0.0	40.0				
FRONT RISE - from top of waistband	QC	Graded	0.0	10.75				
BACK RISE - from top of waistband	QC	Graded	0.0	15.25				
THIGH WIDTH - circumference - 1 inch down from crotch seam	QC	Graded	0.0	24.0				
KNEE WIDTH - circumference	QC	Graded	0.0	16.5				
PANT LEG OPENING - circumference	QC	Graded	0.0	15.0				
PANT INSEAM LENGTH - graded	QC	Graded	0.0	31.0				
PANT OUTSEAM LENGTH - with waistband - graded	QC	Graded	0.0	0.01				

Liaison Office Comments ravi 9/20/2024 8:03:32 AM

Fabric

No comments

Trims

No comments

Embellishment

N/A

Sales Sample Comments - AE5300

Line Slot: Pitchstone Outdoor Pant
Designer: owen.kessel

Developer: jessie.desue

State: Production
LO Developer: triveni.hebbbar

Season: F25
Sourcing Manager: melissa.gallagher



Style	Material Style	Style Description	Design	Pattern	Base Size	Size Scale	Sample LO	Production LO
AE5300	2135673	Pitchstone™ Outdoor Pant	F5MS213567	M25AM0775	32	28 - 38	India	India

Report #: 0000063656

Office: India Factory Code: SEP

Factory Name: SHAHI EXPORTS PVT. LTD.

Sample Sizes: 32

Estimated First Buy Date:

Factory Country of Origin: India

Comments: CC 010/023/257/397

Garment dye/Wash

N/A

Measurement

Within Tolerance.

Construction

No comments

Product Developer Comments

This is confidential and proprietary information of Columbia Sportswear Company. You agree that you will not disclose this information to any third party or use it for any purpose other than on behalf of Columbia. You have no right to use Columbia's name or any of its trademarks, trade names, copyrights, patents, designs or other intellectual property except as set forth in writing by Columbia.

Thumbnail

Line Slot: Pitchstone Outdoor Pant
 Merchandise Division: Sportswear
 Designer: owen.kessel
 Fit Engineer: ann.lewis

Merchandise Collection: Outdoor
 Developer: jessie.desue

State: Production
 Product Class: Woven Pant
 LO Developer: triveni.hebbar

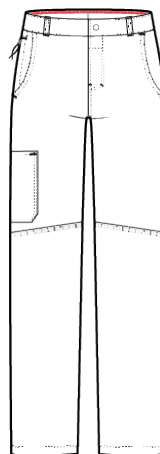
Season: F25
 Sourcing Manager: melissa.gallagher

Design: F5MS213567
 Style Material Style
 AE5300 2135673

Sample LO: India
 Style Description Pattern
 Pitchstone™ M25AM0775
 Outdoor Pant

Production LO: India
 Base Size Size Scale
 32 28 - 38

Fit SMU Type
 Pan-Asian Regular N/A



This is confidential and proprietary information of Columbia Sportswear Company. You agree that you will not disclose this information to any third party or use it for any purpose other than on behalf of Columbia. You have no right to use Columbia's name or any of its trademarks, trade names, copyrights, patents, designs or other intellectual property except as set forth in writing by Columbia.

Technical

Line Slot: Pitchstone Outdoor Pant		State: Production	Season: F25
Merchandise Division: Sportswear	Merchandise Collection: Outdoor	Product Class: Woven Pant	
Designer: owen.kessel	Developer: jessie.desue	LO Developer: triveni.hebbbar	Sourcing Manager: melissa.gallagher
Fit Engineer: ann.lewis			

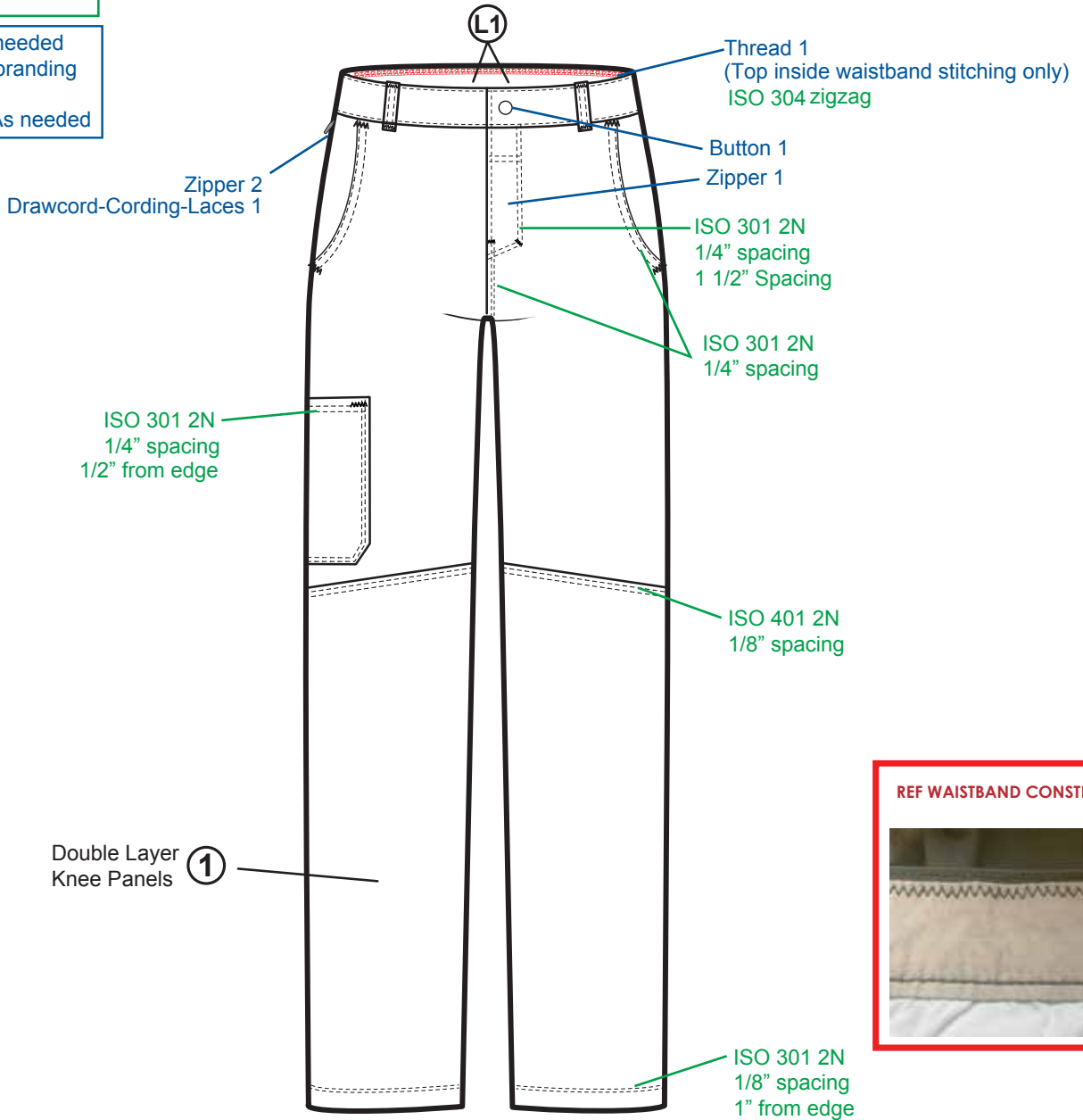


Design: F5MS213567	Sample LO: India	Production LO: India					
Style	Material Style	Style Description	Pattern	Base Size	Size Scale	Fit	SMU Type
AE5300	2135673	Pitchstone™ Outdoor Pant	M25AM0775	32	28 - 38	Pan-Asian Regular	N/A

All topstitching is ISO 301 Edgestitch unless otherwise noted

Interfacing 1: As needed
Label 1-2: follow branding manual
Thread 2 and 3: As needed

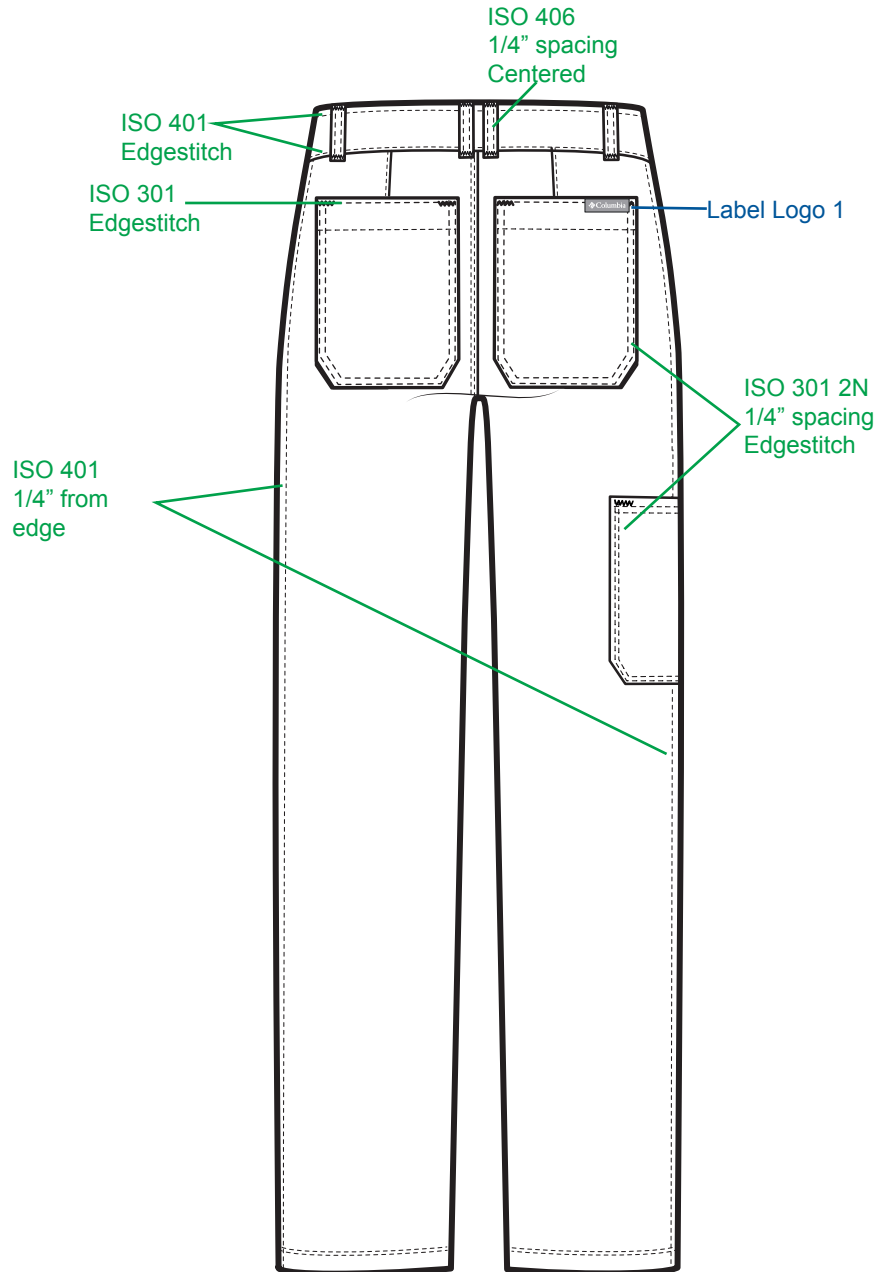
Last Updated: 05.17.24 LS
*All Shell ① unless Indicated



Technical

Line Slot: Pitchstone Outdoor Pant		State: Production	Season: F25
Merchandise Division: Sportswear	Merchandise Collection: Outdoor	Product Class: Woven Pant	
Designer: owen.kessel	Developer: jessie.desue	LO Developer: triveni.hebbbar	Sourcing Manager: melissa.gallagher
Fit Engineer: ann.lewis			

Design:	F5MS213567	Sample LO:	India	Production LO:	India		
Style	Material Style	Style Description	Pattern	Base Size	Size Scale	Fit	SMU Type
AE5300	2135673	Pitchstone™ Outdoor Pant	M25AM0775	32	28 - 38	Pan-Asian Regular	N/A



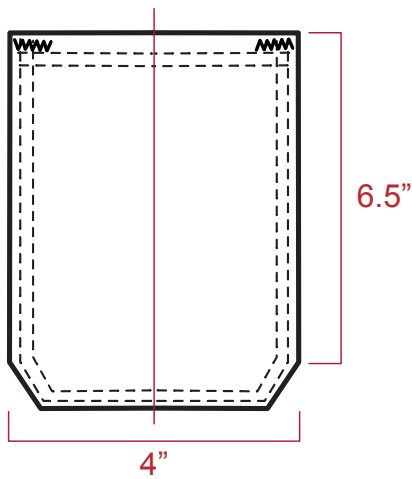
Technical

Line Slot: Pitchstone Outdoor Pant		State: Production		Season: F25			
Merchandise Division: Sportswear		Merchandise Collection: Outdoor		Product Class: Woven Pant			
Designer: owen.kessel		Developer: jessie.desue		LO Developer: triveni.hebbar			
Fit Engineer: ann.lewis		Sourcing Manager: melissa.gallagher					
Design:	F5MS213567	Sample LO:	India	Production LO:	India		
Style	Material Style	Style Description	Pattern	Base Size	Size Scale	Fit	SMU Type
AE5300	2135673	Pitchstone™ Outdoor Pant	M25AM0775	32	28 - 38	Pan-Asian Regular	N/A

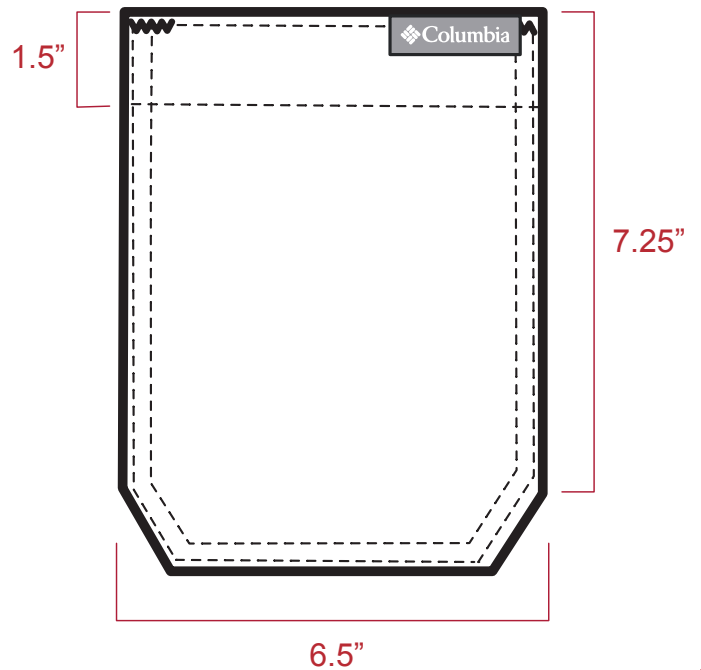


Last Updated: 01.01.23 XX

SIDE SEAM POCKET SPEC



POCKET DETAIL (oversized pockets)



This is confidential and proprietary information of Columbia Sportswear Company. You agree that you will not disclose this information to any third party or use it for any purpose other than on behalf of Columbia. You have no right to use Columbia's name or any of its trademarks, trade names, copyrights, patents, designs or other intellectual property except as set forth in writing by Columbia.

Hangtag Package Report

Apparel Style: AE5300

Season: F25

Brand: Columbia

Merchandise Category: Sportswear

Merchandiser: Lee.Braxton

Line Slot: Pitchstone Outdoor Pant

Sort Order: 1.0 Part: 097305 - Columbia No Tech Hangtag
 Instruction: (FOR BOTTOMS WITH BELT LOOPS) Hangtags are to be placed on one 5" circular swift tack looped thru front belt loop nearest left side seam

SKU/Version ID	Size	Name	Expiry Date
OP184553	097305	OP184553_097305_TC_Columbia_No Tech	09-26-22

TECH CARD (Front)



TECH CARD (Back)



SKU/Version ID	Size	Name	Expiry Date
Process Blue / Process Blue	32x 12.5	TC-1	
Color	Process		
Size	2.32" x 3.43" / 58.93mm x 86.20mm	ApexCoat Coating Die Cut 3mm Patch	Top Coat Size 1

Sort Order: 2.0 Part: 131413 - M Straight Leg Regular Joker
 Instruction: JOKER (Please place on right back waistband clear of hanger clip)

SKU/Version ID	Size	Name	Expiry Date
OP1711557	131413	OP1711557_131413_JK_M_Straight Leg_Regular	09-03-24

JOKER (Front)



JOKER (Back)



SKU/Version ID	Size	Name	Expiry Date
Black + Process Blue	32x 12.5	JK-13	
Color	Process		
Size	1.70" x 2" / 42.7mm x 50.2mm	ApexCoat Coating Die Cut Score, Variable Data	Match & Remove - 2" wide

Sort Order: 9.0 Part: 121612 - MSRP/UPC with RFID Specs for MSRP.
 Please refer to VAS specs for any exceptions. MSRP required on all product shipping to the US.
 Instruction:

