

Related Styles

Line Slot: Washed Out Cargo Short II
 Merchandise Division: Sportswear
 Designer: owen.kessel
 Fit Engineer: vfurcron

Merchandise Collection: Outdoor
 Developer: jessie.desue

State: Production
 Product Class: Woven Short
 LO Developer: triveni.hebbbar

Season: S25
 Sourcing Manager: melissa.gallagher



Design:	S5MS212626	Sample LO:	India	Production LO:	India		
Style	Material Style	Style Description	Pattern	Base Size	Size Scale	Fit	SMU Type
AM4236	2126261	Washed Out™ Cargo Short II	M25M8070	32	28 - 44	Regular	Color Add

Style	Material Style	Style Description	Design	Pattern	Base Size	Size Scale	Sample LO	Production LO
AS4236	2126262	Washed Out™ Cargo Short II	S5MS212626	M25S8070	44	42 - 54	India	India

This is confidential and proprietary information of Columbia Sportswear Company. You agree that you will not disclose this information to any third party or use it for any purpose other than on behalf of Columbia. You have no right to use Columbia's name or any of its trademarks, trade names, copyrights, patents, designs or other intellectual property except as set forth in writing by Columbia.

Part Specifications with Approved Suppliers

Line Slot: Washed Out Cargo Short II State: Production Season: S25
 Merchandise Division: Sportswear Merchandise Collection: Outdoor Product Class: Woven Short
 Designer: owen.kessel Developer: jessie.desue LO Developer: triveni.hebbar Sourcing Manager: melissa.gallagher
 Fit Engineer: vfurcron



Design: S5MS212626 Sample LO: India Production LO: India Vendor Master: INDIA Vendor Master: INDIA
 Style: Material Style Style Description Pattern Base Size Size Scale Fit SMU Type
 AM4236 2126261 Washed Out™ Cargo Short II M25M8070 32 28 - 44 Regular Color Add
 Production LO: Sourcing LO:

Number	Description	UM	Fiber Content	Fiber Content Back	Material Coating	Material Finish (Face)	Material Laminate	Trim Specific	Supplier Art No	Country of Origin	Standard Cost (FOB)	Purchase Cost (CIF)	Product on Lead Time with Greige	Product on Lead Time without Greige
Fabric														
013283	Poplin 4.26oz/sy	yd	100% Cotton	unassigned	MaterialCoatingNone	Sanded/Peached (technical face)	MaterialLaminateNone							
Sri Krishna Spinning and Weaving Mills Pvt Ltd									013283	India	1.91	0.0	37	60
SHAHI EXPORTS PVT. LTD. WPD-SHIVAMOGGA									013283	India	1.78	0.0	37	55
100267	Pocketing (T/C)	yd	65% Polyester, 35% Cotton	unassigned	unassigned	Mercerized	unassigned							
Manju Exports									100267	India	2.2	0.0	60	60
FGV - Jensmart International Ltd. (JNS)									100267	China	0.85	0.0	30	45
SHAHI EXPORTS PVT. LTD. WPD-SHIVAMOGGA									Supplier name - EN Exports HK Limited. Fabric for internal consumption only	India	1.33	0.95	30	45
FGV - Shahi Exports Pvt. (SEP) Ltd.									Supplier name - EN Exports HK Limited. Fabric for internal consumption only	India	0.79	0.0	30	45
011952	Interlining Non-Woven Fusible Light Weight for Garment Wash	yd	100% Polyester	unassigned	unassigned	unassigned	unassigned							
Freudenberg-Hong Kong									AP48	Taiwan	0.38	0.0	7	14
MaxBond									UD9927	Vietnam	0.33	0.0	10	20
PCC asia LLC									CL700	China	0.37	0.0	14	21
Trim														
098784	28L Debossed Columbia Dark Horn/Light Horn (No DTM) Low profile Plastic Button	ea	100% Polyester	unassigned	unassigned	unassigned	unassigned	Size UM: ligne						
Unitex International Button Accessories Ltd									199-00914-070107	China	0.0311	0.0	35	50

Part Specifications with Approved Suppliers

Line Slot: Washed Out Cargo Short II State: Production Season: S25
 Merchandise Division: Sportswear Merchandise Collection: Outdoor Product Class: Woven Short
 Designer: owen.kessel Developer: jessie.desue LO Developer: triveni.hebbar Sourcing Manager: melissa.gallagher
 Fit Engineer: vfurcron



Design: S5MS212626 Sample LO: India Production LO: India Vendor Master INDIA Vendor Master INDIA
 Style Material Style Style Pattern Base Size Size Scale Fit SMU Type
 Description
 AM4236 2126261 Washed Out™ M25M8070 32 28 - 44 Regular Color Add
 Cargo Short II

Number	Description	UM	Fiber Content	Fiber Content Back	Material Coating	Material Finish (Face)	Material Laminate	Trim Specific	Supplier Art No	Country of Origin	Standard Cost (FOB)	Purchase Cost (CIF)	Product on Lead Time with Greige	Product on Lead Time without Greige
BANGALORE SALES CORPORATION									098784	India	0.0167	0.0	15	25
Gritti Vietnam Co. Ltd.									P.57439	Vietnam	0.0287	0.0	30	30
002611	3/4in x 1 1/2in Rounded Corner Die Cut Hook 1QN 1 clr (use w/ 002612)	ea	100% Nylon	unassigned	unassigned	unassigned	unassigned	Size UM: mm Width: 19.0 Length: 40.0						
Gong Myung Korea									GM-2611	South Korea	0.0275	0.0	30	30
Paiho Global									002611	Taiwan	0.025	0.0	30	45
077027	label 036675 with folded seam allowance	ea	100% Recycled Polyester	unassigned	unassigned	unassigned	unassigned	Size UM: mm						
Nexgen Packaging Global									077027	China	0.0221	0.0	21	28
Avery Dennison Global									077027	unassigned	0.02532	0.0	30	30
002612	3/4in x 1-1/2in Rounded Corner Die Cut Loop 2QM 1 clr (use w/ 002611)	ea	100% Nylon	unassigned	unassigned	unassigned	unassigned	Size UM: mm Width: 19.0 Length: 40.0						
Gong Myung Korea									GM-2612	South Korea	0.275	0.0	30	30
Paiho Global									002612	Taiwan	0.025	0.0	30	45
008214	Coats ASTRA Spun Polyester Tex 27 40/2	meter	100% Polyester	unassigned	unassigned	unassigned	unassigned	Size UM: tex						
Coats Global Thread									8754120	unassigned	0.0003	0.0	0	0
013264	Coats ASTRA Spun Poly Tex 60 for sewing lightweight woven and knits	meter	100% Polyester	unassigned	unassigned	unassigned	unassigned	Size UM: tex						
Coats Global Thread									013264	unassigned	0.00052	0.0	0	0
061708	Coats Astra Tex 40 spun poly for sewing lightweight woven and knits	meter	100% Polyester	unassigned	unassigned	unassigned	unassigned	Size UM: tex						
Coats Global Thread									Tex 40/2 Astra Sewing Thread	unassigned	0.00043	0.0	0	0
DD - Huamei Thread Company Limited (FNC only)									061708	unassigned	0.0	0.0	0	0
126123	CFC-36 DA E B-E Clsd AutoLk Enml Sldr/PI EnmlBtmStp	ea	unassigned	unassigned	unassigned	unassigned	unassigned	Size UM: ea Length: 4.0						
Ideal Fastener Global									CFC-36 DA E B-E Clsd AutoLk Enml Sldr/PI EnmlBtmStp	unassigned	0.065	0.0	21	28

Part Specifications with Approved Suppliers

Line Slot: Washed Out Cargo Short II State: Production Season: S25
 Merchandise Division: Sportswear Merchandise Collection: Outdoor Product Class: Woven Short
 Designer: owen.kessel Developer: jessie.desue LO Developer: triveni.hebbbar Sourcing Manager: melissa.gallagher
 Fit Engineer: vfurcron



Design: S5MS212626 Sample LO: India Production LO: India Vendor Master INDIA Vendor Master INDIA
 Style Material Style Style Pattern Base Size Size Scale Fit SMU Type
 Description
 AM4236 2126261 Washed Out™ M25M8070 32 28 - 44 Regular Color Add
 Cargo Short II

Number	Description	UM	Fiber Content	Fiber Content Back	Material Coating	Material Finish (Face)	Material Laminate	Trim Specific	Supplier Art No	Country of Origin	Standard Cost (FOB)	Purchase Cost (CIF)	Product on Lead Time with Greige	Product on Lead Time without Greige
YKK Global									TBD	unassigned	0.0468	0.0	35	50
059199	40mm CSC Main /International ECO Size Woven Loop Label 3 clr	ea	100% Recycled Polyester	unassigned	unassigned	unassigned	unassigned	Size UM: mm						
Avery Dennison Global									059199	China	0.045	0.0	30	30
Dong Young									DY-59199	South Korea	0.052	0.0	25	25
Manohar Filaments									23/11813/5	India	0.0404	0.0	30	30
006564	33mm Care Content ECO Booklet Fold label with fully translated country of origin WHT/BLK for most, BLK/WHT for Titanium only, GRY/BLK is for Garment DYE ONLY	ea	100% Recycled Polyester	unassigned	unassigned	unassigned	unassigned	Size UM: mm						
Dong Young									DY-006564	South Korea	0.04	0.0	15	15
Finotex El Salvador									006564	El Salvador	0.0	0.0	10	0
Avery Dennison Global									S2088861-8	China	0.016	0.0	30	30
Bao Shen (Apparel)									YL15110003 0 PS7530A5	unassigned	0.016	0.0	7	21
Nexgen Packaging Global									006564	unassigned	0.0221	0.0	21	28
097305	Columbia No Tech Hangtag	ea	unassigned	unassigned	unassigned	unassigned	unassigned	Size UM: cm						
Hang Sang Press Co. Ltd									n/a	unassigned	0.0167	0.0	0	0
Bao Shen (Apparel)									097305	Vietnam	0.014	0.0	7	21
Finotex El Salvador									n/a	unassigned	0.0233	0.0	21	28
121612	MSRP/UPC with RFID Specs for MSRP. Please refer to VAS specs for any exceptions. MSRP required on all product shipping to the US.	ea	unassigned	unassigned	unassigned	unassigned	unassigned	Size UM: mm						
Bao Shen (Apparel)									n/a	unassigned	0.049	0.0	7	0
Avery Dennison Global									n/a	unassigned	0.04875	0.0	14	0
127015	Mens Shorts Regular Joker	ea	unassigned	unassigned	unassigned	unassigned	unassigned	Size UM: in						
Hang Sang Press Co. Ltd									n/a	unassigned	0.036	0.0	0	0
980001	Polybag See Standard CCS 4200 for specifications	ea	unassigned	unassigned	unassigned	unassigned	unassigned	Size UM: mm						
Contractor									980001	unassigned	0.0	0.0	0	0

Part Specifications with Approved Suppliers

Line Slot: Washed Out Cargo Short II State: Production Season: S25
 Merchandise Division: Sportswear Merchandise Collection: Outdoor Product Class: Woven Short
 Designer: owen.kessel Developer: jessie.desue LO Developer: triveni.hebbbar Sourcing Manager: melissa.gallagher
 Fit Engineer: vfurcron



Design: S5MS212626 Sample LO: India Production LO: India Vendor Master: INDIA Vendor Master: INDIA
 Production LO: Sourcing LO:
 Style Material Style Style Description Pattern Base Size Size Scale Fit SMU Type
 AM4236 2126261 Washed Out™ Cargo Short II M25M8070 32 28 - 44 Regular Color Add

Number	Description	UM	Fiber Content	Fiber Content Back	Material Coating	Material Finish (Face)	Material Laminate	Trim Specific	Supplier Art No	Country of Origin	Standard Cost (FOB)	Purchase Cost (CIF)	Product on Lead Time with Greige	Product on Lead Time without Greige
980010	UPC Bag Sticker Generic (MHW/Columbia) See CCS4400/ 4401 and MHW4402 for Mt Hardwear for instructions	ea	unassigned	unassigned	unassigned	unassigned	unassigned	Size UM: mm						
Hang Sang Press Co. Ltd									980010	Hong Kong	0.016	0.0	14	14
Avery Dennison Global									980010	China	0.011	0.0	30	30
FGV Sourced									980010	unassigned	0.0	0.0	0	0
Bao Shen (Apparel)									980010	unassigned	0.011	0.0	7	21
Nexgen Packaging Global									980010	unassigned	0.011	0.0	21	28
064194	Outer Carton for costing purpose only	ea	unassigned	unassigned	unassigned	unassigned	unassigned	Size UM: mm						
Contractor									064194	unassigned	0.0	0.0	0	0

This is confidential and proprietary information of Columbia Sportswear Company. You agree that you will not disclose this information to any third party or use it for any purpose other than on behalf of Columbia. You have no right to use Columbia's name or any of its trademarks, trade names, copyrights, patents, designs or other intellectual property except as set forth in writing by Columbia.

Color BOM

Line Slot: Washed Out Cargo Short II
 Merchandise Division: Sportswear
 Designer: owen.kessel
 Fit Engineer: vfurcron

Merchandise Collection: Outdoor
 Developer: jessie.desue

State: Production
 Product Class: Woven Short
 LO Developer: triveni.hebbar

Season: S25
 Sourcing Manager: melissa.gallagher



Design: S5MS212626	Sample LO: India	Production LO: India
Style Material Style	Style Description Pattern	Base Size Size Scale
AM4236 2126261	Washed Out™ Cargo Short II M25M8070	32 28 - 44
		Fit Regular
		SMU Type Color Add

Component	Details	Placement	Usage	Width	Marker Width	023-City Grey	160-Fossil	257-Delta	348-Safari	464-Collegiate Navy
SAP Material Code						2126262023	2126261160	2126261257	2126262348	2126262464
						2126261023	2126262160	2126262257	2126261348	2126261464
SMU Accounts						N/A	Belk Inc	N/A	N/A	N/A
Shell 1	013283 Poplin 4.26oz/sy Poplin 100% Cotton 134 X 97 40x40 Sanded/Peached (technical face) MaterialCoatingNone MaterialLaminateNone 146.0 g/m2 Piece Dye/Pad NA		1.06 yd	56.0	0	City Grey	Fossil	Delta	Safari	Collegiate Navy
Lining 1	100267 Pocketing (T/C) Poplin 65% Polyester, 35% Cotton 110 X 76 45 pc X 45 pc Mercerized 105.0 g/m2 Scouring-Bleaching NA		0.36 yd	56.0	0	White	White	White	White	White
Interfacing 1	011952 Interlining Non-Woven Fusible Light Weight for Garment Wash Interlining 100% Polyester 0.0 g/m2		0.24 yd	60.0	0	White	White	White	White	White
Button 1	098784 28L Debossed Columbia Dark Horn/Light Horn (No DTM) Low profile Plastic Button		1 ea	0.0	0	Dark Horn	Light Horn	Dark Horn	Light Horn	Dark Horn
Hook 1	002611 3/4in x 1 1/2in Rounded Corner Die Cut Hook 1QN 1 clr (use w/ 002612) Length: 40.0 Width: 19.0		0.09 ea	0.0	0	City Grey	Fossil	Delta	Safari	Collegiate Navy
Label Logo 1	077027 label 036675 with folded seam allowance		1 ea	0.0	0	Grill, Columbia Grey	Grill, Columbia Grey	Black, White	Grill, Columbia Grey	Columbia Grey, Grill

Color BOM

Line Slot: Washed Out Cargo Short II
 Merchandise Division: Sportswear
 Designer: owen.kessel
 Fit Engineer: vfurcron

Merchandise Collection: Outdoor
 Developer: jessie.desue

State: Production
 Product Class: Woven Short
 LO Developer: triveni.hebbar

Season: S25
 Sourcing Manager: melissa.gallagher



Design: S5MS212626	Sample LO: India	Production LO: India
Style: Material Style	Style Description: Pattern	Base Size: Size Scale
AM4236: 2126261	Washed Out™ Cargo Short II: M25M8070	32: 28 - 44
		Fit: Regular
		SMU Type: Color Add

Component	Details	Placement	Usage	Width	Marker Width	023-City Grey	160-Fossil	257-Delta	348-Safari	464-Collegiate Navy
SAP Material Code						212626202 3	212626116 0	212626125 7	212626234 8	212626246 4
						212626102 3	212626216 0	212626225 7	212626134 8	212626146 4
Loop 1	002612 3/4in x 1-1/2in Rounded Corner Die Cut Loop 2QM 1 clr (use w/ 002611) Length: 40.0 Width: 19.0		0.09 ea	0.0	0	City Grey	Fossil	Delta	Safari	Collegiate Navy
Thread 1	008214 Coats ASTRA Spun Polyester Tex 27 40/2		190 meter	0.0	0	DTM	DTM	DTM	DTM	DTM
Thread 2	013264 Coats ASTRA Spun Poly Tex 60 for sewing lightweight woven and knits		50 meter	0.0	0	DTM	DTM	DTM	DTM	DTM
Thread 3	061708 Coats Astra Tex 40 spun poly for sewing lightweight woven and knits		70 meter	0.0	0	DTM	DTM	DTM	DTM	DTM
Zipper 1	126123 CFC-36 DA E B-E Clsd AutoLk Enml Sldr/PI EnmlBtmStp Length: 4.0		1 ea	0.0	0	City Grey	Fossil	Delta	Safari	Collegiate Navy
Label 1	059199 40mm CSC Main /International ECO Size Woven Loop Label 3 clr		1 ea	0.0	0	White, Columbia Grey, Compass Blue	White, Columbia Grey, Compass Blue	White, Columbia Grey, Compass Blue	White, Columbia Grey, Compass Blue	White, Columbia Grey, Compass Blue
Label 2	006564 33mm Care Content ECO Booklet Fold label with fully translated country of origin WHT/BLK for most, BLK/WHT for Titanium only, GRY/BLK is for Garment DYE ONLY		1 ea	0.0	0	White, Black	White, Black	White, Black	White, Black	White, Black
Hangtag Package Part	097305 Columbia No Tech Hangtag		1 ea	0.0	0	Artwork	Artwork	Artwork	Artwork	Artwork
Hangtag Package Part	121612 MSRP/UPC with RFID Specs for MSRP. Please refer to VAS specs for any exceptions. MSRP required on all product shipping to the US.		1 ea	0.0	0	Artwork	Artwork	Artwork	Artwork	Artwork

Color BOM

Line Slot: Washed Out Cargo Short II

State: Production

Season: S25

Merchandise Division: Sportswear

Merchandise Collection: Outdoor

Product Class: Woven Short

Designer: owen.kessel

Developer: jessie.desue

LO Developer: triveni.hebbbar

Sourcing Manager: melissa.gallagher

Fit Engineer: vfurcron



Design: S5MS212626

Sample LO: India

Production LO: India

Style Material Style

Style Description Pattern

Base Size Size Scale

Fit

SMU Type

AM4236

2126261

Washed Out™
Cargo Short II

32

28 - 44

Regular

Color Add

Component	Details	Placement	Usage	Width	Marker Width	023-City Grey	160-Fossil	257-Delta	348-Safari	464-Collegiate Navy
SAP Material Code						2126262023	2126261160	2126261257	2126262348	2126262464
						2126261023	2126262160	2126262257	2126261348	2126261464
Hangtag Package Part	127015 Mens Shorts Regular Joker		1 ea	0.0	0	Artwork	Artwork	Artwork	Artwork	Artwork
Packaging 1	980001 Polybag See Standard CCS 4200 for specifications		1 ea	0.0	0	Stock	Stock	Stock	Stock	Stock
Packaging 2	980010 UPC Bag Sticker Generic (MHW/Columbia) See CCS4400/ 4401 and MHW4402 for Mt Hardwear for instructions		1 ea	0.0	0	Artwork	Artwork	Artwork	Artwork	Artwork
Packaging 3	064194 Outer Carton for costing purpose only		1 ea	0.0	0	Stock	Stock	Stock	Stock	Stock

Color BOM

Line Slot: Washed Out Cargo Short II
 Merchandise Division: Sportswear
 Designer: owen.kessel
 Fit Engineer: vfurcron

Merchandise Collection: Outdoor
 Developer: jessie.desue

State: Production
 Product Class: Woven Short
 LO Developer: triveni.hebbbar

Season: S25
 Sourcing Manager: melissa.gallagher



Design: S5MS212626	Sample LO: India	Production LO: India
Style Material Style	Style Description Pattern	Base Size Size Scale
AM4236 2126261	Washed Out™ Cargo Short II M25M8070	32 28 - 44
		Fit Regular
		SMU Type Color Add

Component	Details	Placement	Usage	Width	Marker Width	851-Tuscan
SAP Material Code						2126262851 2126261851
SMU Accounts						N/A
Shell 1	013283 Poplin 4.26oz/sy Poplin 100% Cotton 134 X 97 40x40 Sanded/Peached (technical face) MaterialCoatingNone MaterialLaminateNone 146.0 g/m2 Piece Dye/Pad NA		1.06 yd	56.0	0	Tuscan
Lining 1	100267 Pocketing (T/C) Poplin 65% Polyester, 35% Cotton 110 X 76 45 pc X 45 pc Mercerized 105.0 g/m2 Scouring-Bleaching NA		0.36 yd	56.0	0	White
Interfacing 1	011952 Interlining Non-Woven Fusible Light Weight for Garment Wash Interlining 100% Polyester 0.0 g/m2		0.24 yd	60.0	0	White
Button 1	098784 28L Debossed Columbia Dark Horn/Light Horn (No DTM) Low profile Plastic Button		1 ea	0.0	0	Light Horn
Hook 1	002611 3/4in x 1 1/2in Rounded Corner Die Cut Hook 1QN 1 clr (use w/ 002612) Length: 40.0 Width: 19.0		0.09 ea	0.0	0	Tuscan
Label Logo 1	077027 label 036675 with folded seam allowance		1 ea	0.0	0	Grill, Columbia Grey
Loop 1	002612 3/4in x 1-1/2in Rounded Corner Die Cut Loop 2QM 1 clr (use w/ 002611) Length: 40.0 Width: 19.0		0.09 ea	0.0	0	Tuscan

Color BOM

Line Slot: Washed Out Cargo Short II
 Merchandise Division: Sportswear
 Designer: owen.kessel
 Fit Engineer: vfurcron

Merchandise Collection: Outdoor
 Developer: jessie.desue

State: Production
 Product Class: Woven Short
 LO Developer: triveni.hebbbar

Season: S25
 Sourcing Manager: melissa.gallagher



Design: S5MS212626 Sample LO: India Production LO: India
 Style: Material Style Style Description: Pattern Base Size: Size Scale Fit: SMU Type
 AM4236 2126261 Washed Out™ Cargo Short II M25M8070 32 28 - 44 Regular Color Add

Component	Details	Placement	Usage	Width	Marker Width	851-Tuscan
SAP Material Code						2126262851 2126261851
Thread 1	008214 Coats ASTRA Spun Polyester Tex 27 40/2		190 meter	0.0	0	DTM
Thread 2	013264 Coats ASTRA Spun Poly Tex 60 for sewing lightweight woven and knits		50 meter	0.0	0	DTM
Thread 3	061708 Coats Astra Tex 40 spun poly for sewing lightweight woven and knits		70 meter	0.0	0	DTM
Zipper 1	126123 CFC-36 DA E B-E Clsd AutoLk Enml Slidr/PI EnmlBtmStp Length: 4.0		1 ea	0.0	0	Tuscan
Label 1	059199 40mm CSC Main /International ECO Size Woven Loop Label 3 clr		1 ea	0.0	0	White, Columbia Grey, Compass Blue
Label 2	006564 33mm Care Content ECO Booklet Fold label with fully translated country of origin WHT/BLK for most, BLK/WHT for Titanium only, GRY/BLK is for Garment DYE ONLY		1 ea	0.0	0	White, Black
Hangtag Package Part	097305 Columbia No Tech Hangtag		1 ea	0.0	0	Artwork
Hangtag Package Part	121612 MSRP/UPC with RFID Specs for MSRP. Please refer to VAS specs for any exceptions. MSRP required on all product shipping to the US.		1 ea	0.0	0	Artwork
Hangtag Package Part	127015 Mens Shorts Regular Joker		1 ea	0.0	0	Artwork
Packaging 1	980001 Polybag See Standard CCS 4200 for specifications		1 ea	0.0	0	Stock
Packaging 2	980010 UPC Bag Sticker Generic (MHW/Columbia) See CCS4400/ 4401 and MHW4402 for Mt Hardwear for instructions		1 ea	0.0	0	Artwork
Packaging 3	064194 Outer Carton for costing purpose only		1 ea	0.0	0	Stock

This is confidential and proprietary information of Columbia Sportswear Company. You agree that you will not disclose this information to any third party or use it for any purpose other than on behalf of Columbia. You have no right to use Columbia's name or any of its trademarks, trade names, copyrights, patents, designs or other intellectual property except as set forth in writing by Columbia.

Colorless BOM

Line Slot: Washed Out Cargo Short II State: Production Season: S25
 Merchandise Division: Sportswear Merchandise Collection: Outdoor Product Class: Woven Short
 Designer: owen.kessel Developer: jessie.desue LO Developer: triveni.hebbar Sourcing Manager: melissa.gallagher
 Fit Engineer: vfurcron

Design: S5MS212626 Sample LO: India Production LO: India

Style	Material Style	Style Description	Pattern	Base Size	Size Scale	Fit	SMU Type
AM4236	2126261	Washed Out™ Cargo Short II	M25M8070	32	28 - 44	Regular	Color Add



Component	Details	Placement	Usage	Width	Marker Width
SAP Material Code					
Shell 1	013283 Poplin 4.26oz/sy Poplin 100% Cotton 134 X 97 40x40 Sanded/Peached (technical face) MaterialCoatingNone MaterialLaminateNone 146.0 g/m2 Piece Dye/Pad NA		1.06 yd	56.0	0
Lining 1	100267 Pocketing (T/C) Poplin 65% Polyester, 35% Cotton 110 X 76 45 pc X 45 pc Mercerized 105.0 g/m2 Scouring-Bleaching NA		0.36 yd	56.0	0
Interfacing 1	011952 Interlining Non-Woven Fusible Light Weight for Garment Wash Interlining 100% Polyester 0.0 g/m2		0.24 yd	60.0	0
Button 1	098784 28L Debossed Columbia Dark Horn/Light Horn (No DTM) Low profile Plastic Button		1 ea	0.0	0
Hook 1	002611 3/4in x 1 1/2in Rounded Corner Die Cut Hook 1QN 1 clr (use w/ 002612) Length: 40.0 Width: 19.0		0.09 ea	0.0	0
Label Logo 1	077027 label 036675 with folded seam allowance		1 ea	0.0	0
Loop 1	002612 3/4in x 1-1/2in Rounded Corner Die Cut Loop 2QM 1 clr (use w/ 002611) Length: 40.0 Width: 19.0		0.09 ea	0.0	0
Thread 1	008214 Coats ASTRA Spun Polyester Tex 27 40/2		190 meter	0.0	0
Thread 2	013264 Coats ASTRA Spun Poly Tex 60 for sewing lightweight woven and knits		50 meter	0.0	0
Thread 3	061708 Coats Astra Tex 40 spun poly for sewing lightweight woven and knits		70 meter	0.0	0
Zipper 1	126123 CFC-36 DA E B-E Clsd AutoLk Enml Sldr/Pl EnmlBtmStp Length: 4.0		1 ea	0.0	0
Label 1	059199 40mm CSC Main /International ECO Size Woven Loop Label 3 clr		1 ea	0.0	0
Label 2	006564 33mm Care Content ECO Booklet Fold label with fully translated country of origin WHT/BLK for most, BLK/WHT for Titanium only, GRY/BLK is for Garment DYE ONLY		1 ea	0.0	0

Colorless BOM

Line Slot: Washed Out Cargo Short II State: Production Season: S25
 Merchandise Division: Sportswear Merchandise Collection: Outdoor Product Class: Woven Short
 Designer: owen.kessel Developer: jessie.desue LO Developer: triveni.hebbar Sourcing Manager: melissa.gallagher
 Fit Engineer: vfurcron

Design: S5MS212626 Sample LO: India Production LO: India

Style	Material Style	Style Description	Pattern	Base Size	Size Scale	Fit	SMU Type
AM4236	2126261	Washed Out™ Cargo Short II	M25M8070	32	28 - 44	Regular	Color Add



Component	Details	Placement	Usage	Width	Marker Width
SAP Material Code					
Hangtag Package Part	097305 Columbia No Tech Hangtag		1 ea	0.0	0
Hangtag Package Part	121612 MSRP/UPC with RFID Specs for MSRP. Please refer to VAS specs for any exceptions. MSRP required on all product shipping to the US.		1 ea	0.0	0
Hangtag Package Part	127015 Mens Shorts Regular Joker		1 ea	0.0	0
Packaging 1	980001 Polybag See Standard CCS 4200 for specifications		1 ea	0.0	0
Packaging 2	980010 UPC Bag Sticker Generic (MHW/Columbia) See CCS4400/ 4401 and MHW4402 for Mt Hardware for instructions		1 ea	0.0	0
Packaging 3	064194 Outer Carton for costing purpose only		1 ea	0.0	0

This is confidential and proprietary information of Columbia Sportswear Company. You agree that you will not disclose this information to any third party or use it for any purpose other than on behalf of Columbia. You have no right to use Columbia's name or any of its trademarks, trade names, copyrights, patents, designs or other intellectual property except as set forth in writing by Columbia.

Color Specification

Line Slot: Washed Out Cargo Short II
 Merchandise Division: Sportswear
 Designer: owen.kessel
 Fit Engineer: vfurcron

Merchandise Collection: Outdoor
 Developer: jessie.desue

State: Production
 Product Class: Woven Short
 LO Developer: triveni.hebbbar

Season: S25
 Sourcing Manager: melissa.gallagher



Design:	S5MS212626	Sample LO:	India	Production LO:	India		
Style	Material Style	Style Description	Pattern	Base Size	Size Scale	Fit	SMU Type
AM4236	2126261	Washed Out™ Cargo Short II	M25M8070	32	28 - 44	Regular	Color Add

Component - Material	023-City Grey	160-Fossil	257-Delta	348-Safari	464-Collegiate Navy	851-Tuscan
Shell 1 - 013283	City Grey	Fossil	Delta	Safari	Collegiate Navy	Tuscan
Hook 1 - 002611						
Loop 1 - 002612						
Zipper 1 - 126123						
Lining 1 - 100267	White	White	White	White	White	White
Interfacing 1 - 011952						
Button 1 - 098784	Dark Horn	Light Horn	Dark Horn	Light Horn	Dark Horn	Light Horn
Label Logo 1 - 077027	Grill, Columbia Grey	Grill, Columbia Grey	Black, White	Grill, Columbia Grey	Columbia Grey, Grill	Grill, Columbia Grey
Thread 1 - 008214	DTM	DTM	DTM	DTM	DTM	DTM
Thread 2 - 013264						
Thread 3 - 061708						
Label 1 - 059199	White, Columbia Grey, Compass Blue	White, Columbia Grey, Compass Blue	White, Columbia Grey, Compass Blue	White, Columbia Grey, Compass Blue	White, Columbia Grey, Compass Blue	White, Columbia Grey, Compass Blue
Label 2 - 006564	White, Black	White, Black	White, Black	White, Black	White, Black	White, Black
Hangtag Package Part - 097305	Artwork	Artwork	Artwork	Artwork	Artwork	Artwork
Hangtag Package Part - 121612						
Hangtag Package Part - 127015						
Packaging 2 - 980010						
Packaging 1 - 980001	Stock	Stock	Stock	Stock	Stock	Stock
Packaging 3 - 064194						

This is confidential and proprietary information of Columbia Sportswear Company. You agree that you will not disclose this information to any third party or use it for any purpose other than on behalf of Columbia. You have no right to use Columbia's name or any of its trademarks, trade names, copyrights, patents, designs or other intellectual property except as set forth in writing by Columbia.

Costing BOM

Line Slot: Washed Out Cargo Short II
 Merchandise Division: Sportswear
 Designer: owen.kessel
 Fit Engineer: vfurcron

Merchandise Collection: Outdoor
 Developer: jessie.desue

State: Production
 Product Class: Woven Short
 LO Developer: triveni.hebbar

Season: S25
 Sourcing Manager: melissa.gallagher



Design:	S5MS212626	Sample LO:	India	Production LO:	India		
Style	Material Style	Style Description	Pattern	Base Size	Size Scale	Fit	SMU Type
AM4236	2126261	Washed Out™ Cargo Short II	M25M8070	32	28 - 44	Regular	Color Add

Colorway Number	Color Way	FOB Material	CIF Material	FOB Trim	CIF Trim	Allowance %	Total FOB	Total CIF
023	City Grey	2.327	0.000	0.414	0.000	0.0	2.741	0.000
160	Fossil	2.327	0.000	0.414	0.000	0.0	2.741	0.000
257	Delta	2.327	0.000	0.414	0.000	0.0	2.741	0.000
348	Safari	2.327	0.000	0.414	0.000	0.0	2.741	0.000
464	Collegiate Navy	2.327	0.000	0.414	0.000	0.0	2.741	0.000
851	Tuscan	2.327	0.000	0.414	0.000	0.0	2.741	0.000

Costing BOM

Line Slot: Washed Out Cargo Short II

State: Production

Season: S25

Merchandise Division: Sportswear

Merchandise Collection: Outdoor

Product Class: Woven Short

Designer: owen.kessel

Developer: jessie.desue

LO Developer: triveni.hebbbar

Sourcing Manager: melissa.gallagher

Fit Engineer: vfurcron



Design: S5MS212626

Sample LO: India

Production LO: India

Style Material Style

Style Description Pattern

Base Size Size Scale

Fit

SMU Type

AM4236

2126261

Washed Out™
Cargo Short II

32

28 - 44

Regular

Color Add

Component	Material	Description	Fabric Width	Supplier	Locked	Country of Origin	Managin g Liaison Office	UoM	Target Cost	FOB Unit Cost	CIF Unit Cost	Usage	Wastage %	Total FOB	Total CIF
Shell 1	013283	Poplin 4.26oz/sy	56.0	SHAHI EXPORT S PVT. LTD. WPD-SHIVAM OGGA	N	India	India	yd	1.9	1.78	0.0	1.060	3	1.943	0.000
Lining 1	100267	Pocketing (T/C)	56.0	FGV - Shahi Exports Pvt. (SEP) Ltd.	N	India	India	yd	0.0	0.79	0.0	0.360	3	0.293	0.000
Interfacing 1	011952	Interlining Non-Woven Fusible Light Weight for Garment Wash	60.0	PCC asia LLC	Y	China	India	yd	0.0	0.37	0.0	0.240	3	0.091	0.000

Costing BOM

Line Slot: Washed Out Cargo Short II
 Merchandise Division: Sportswear
 Designer: owen.kessel
 Fit Engineer: vfurcron

Merchandise Collection: Outdoor
 Developer: jessie.desue

State: Production
 Product Class: Woven Short
 LO Developer: triveni.hebbar

Season: S25
 Sourcing Manager: melissa.gallagher



Design:	S5MS212626	Sample LO:	India	Production LO:	India				
Style	Material Style	Style Description	Pattern	Base Size	Size Scale	Fit	SMU Type		
AM4236	2126261	Washed Out™ Cargo Short II	M25M8070	32	28 - 44	Regular	Color Add		

Component	Material	Description	Fabric Width	Supplier	Locked	Country of Origin	Managing Liaison Office	UoM	Target Cost	FOB Unit Cost	CIF Unit Cost	Usage	Wastage %	Total FOB	Total CIF
Button 1	098784	28L Debossed Columbia Dark Horn/Light Horn (No DTM) Low profile Plastic Button	0.0	BANGALORE SALES CORPORATION	N	India	India	ea	0.0	0.0167	0.0	1.000	2.0	0.017	0.000
Hook 1	002611	3/4in x 1 1/2in Rounded Corner Die Cut Hook 1QN 1 clr (use w/ 002612)	0.0	Paiho Global	N	Taiwan	Taiwan-Taipei	ea	0.0	0.025	0.0	0.090	5.0	0.002	0.000
Label Logo 1	077027	label 036675 with folded seam allowance	0.0	Avery Dennison Global	N	unassigned	Portland	ea	0.0	0.02532	0.0	1.000	3.0	0.026	0.000
Loop 1	002612	3/4in x 1-1/2in Rounded Corner Die Cut Loop 2QM 1 clr (use w/ 002611)	0.0	Paiho Global	N	Taiwan	Taiwan-Taipei	ea	0.0	0.025	0.0	0.090	5.0	0.002	0.000

Costing BOM

Line Slot: Washed Out Cargo Short II
 Merchandise Division: Sportswear
 Designer: owen.kessel
 Fit Engineer: vfurcron

Merchandise Collection: Outdoor
 Developer: jessie.desue

State: Production
 Product Class: Woven Short
 LO Developer: triveni.hebbar

Season: S25
 Sourcing Manager: melissa.gallagher



Design: S5MS212626	Sample LO: India	Production LO: India
Style AM4236	Material Style 2126261	Style Description Pattern Washed Out™ Cargo Short II
	Pattern M25M8070	Base Size 32
	Size Scale 28 - 44	Fit Regular
		SMU Type Color Add

Component	Material	Description	Fabric Width	Supplier	Locked	Country of Origin	Managing Liaison Office	UoM	Target Cost	FOB Unit Cost	CIF Unit Cost	Usage	Wastage %	Total FOB	Total CIF
Thread 1	008214	Coats ASTRA Spun Polyester Tex 27 40/2	0.0	Coats Global Thread	N	unassigned	Portland	meter	0.0	0.0003	0.0	190.000	5.0	0.060	0.000
Thread 2	013264	Coats ASTRA Spun Poly Tex 60 for sewing lightweight woven and knits	0.0	Coats Global Thread	N	unassigned	Portland	meter	0.0	0.00052	0.0	50.000	5.0	0.027	0.000
Thread 3	061708	Coats Astra Tex 40 spun poly for sewing lightweight woven and knits	0.0	Coats Global Thread	N	unassigned	Portland	meter	0.0	0.00043	0.0	70.000	5.0	0.032	0.000
Zipper 1	126123	CFC-36 DA E B-E Clsd AutoLk Enml Sldr/PI EnmlBtmStp	0.0	Ideal Fastener Global	N	unassigned	Portland	ea	0.0	0.065	0.0	1.000	1.0	0.073	0.000
Label 1	059199	40mm CSC Main /International ECO Size Woven Loop Label 3 clr	0.0	Avery Dennison Global	N	China	Portland	ea	0.0	0.045	0.0	1.000	3.0	0.046	0.000

Costing BOM

Line Slot: Washed Out Cargo Short II
 Merchandise Division: Sportswear
 Designer: owen.kessel
 Fit Engineer: vfurcron

Merchandise Collection: Outdoor
 Developer: jessie.desue

State: Production
 Product Class: Woven Short
 LO Developer: triveni.hebbar

Season: S25
 Sourcing Manager: melissa.gallagher



Design: S5MS212626	Sample LO: India	Production LO: India
Style AM4236	Material Style 2126261	Style Description Pattern Washed Out™ Cargo Short II
	Pattern M25M8070	Base Size 32
	Size Scale 28 - 44	Fit Regular
		SMU Type Color Add

Component	Material	Description	Fabric Width	Supplier	Locked	Country of Origin	Managing Liaison Office	UoM	Target Cost	FOB Unit Cost	CIF Unit Cost	Usage	Wastage %	Total FOB	Total CIF
Label 2	006564	33mm Care Content ECO Booklet Fold label with fully translated country of origin WHT/BLK for most, BLK/WHT for Titanium only, GRY/BLK is for Garment DYE ONLY	0.0	Avery Dennison Global	N	China	Portland	ea	0.0	0.016	0.0	1.000	3.0	0.016	0.000
Hangtag Package Part	121612	MSRP/UPC with RFID Specs for MSRP. Please refer to VAS specs for any exceptions. MSRP required on all product shipping to the US.	0.0	Avery Dennison Global	N	unassigned	Portland	ea	0.0	0.04875	0.0	1.000	5.0	0.051	0.000

Costing BOM

Line Slot: Washed Out Cargo Short II
 Merchandise Division: Sportswear
 Designer: owen.kessel
 Fit Engineer: vfurcron

Merchandise Collection: Outdoor
 Developer: jessie.desue

State: Production
 Product Class: Woven Short
 LO Developer: triveni.hebbbar

Season: S25
 Sourcing Manager: melissa.gallagher



Design: S5MS212626	Sample LO: India	Production LO: India
Style AM4236	Material Style 2126261	Style Description Pattern Washed Out™ Cargo Short II
	Pattern M25M8070	Base Size 32
		Size Scale 28 - 44
		Fit Regular
		SMU Type Color Add

Component	Material	Description	Fabric Width	Supplier	Locked	Country of Origin	Managing Liaison Office	UoM	Target Cost	FOB Unit Cost	CIF Unit Cost	Usage	Wastage %	Total FOB	Total CIF
Hangtag Package Part	097305	Columbia No Tech Hangtag	0.0	Bao Shen (Apparel)	N	Vietnam	Portland	ea	0.0	0.014	0.0	1.000	3.0	0.014	0.000
Hangtag Package Part	127015	Mens Shorts Regular Joker	0.0	Hang Sang Press Co. Ltd	N	unassigned	Portland	ea	0.0	0.036	0.0	1.000	0.0	0.036	0.000
Packaging 1	980001	Polybag See Standard CCS 4200 for specifications	0.0	Contractor	N	unassigned	Hong Kong	ea	0.0	0.0	0.0	1.000	3.0	0.000	0.000
Packaging 2	980010	UPC Bag Sticker Generic (MHW/Columbia) See CCS4400/4401 and MHW4402 for Mt Hardware for instructions	0.0	Avery Dennison Global	Y	China	Portland	ea	0.0	0.011	0.0	1.000	5.0	0.012	0.000
Packaging 3	064194	Outer Carton for costing purpose only	0.0	Contractor	N	unassigned	Hong Kong	ea	0.0	0.0	0.0	1.000	3.0	0.000	0.000

Costing BOM

Line Slot: Washed Out Cargo Short II

State: Production

Season: S25

Merchandise Division: Sportswear

Merchandise Collection: Outdoor

Product Class: Woven Short

Designer: owen.kessel

Developer: jessie.desue

LO Developer: triveni.hebbbar

Sourcing Manager: melissa.gallagher

Fit Engineer: vfurcron

Design: S5MS212626

Sample LO: India

Production LO: India

Style Material Style

Style Description Pattern

Base Size Size Scale

Fit

SMU Type

AM4236 2126261

Washed Out™
Cargo Short II

32

28 - 44

Regular

Color Add



This is confidential and proprietary information of Columbia Sportswear Company. You agree that you will not disclose this information to any third party or use it for any purpose other than on behalf of Columbia. You have no right to use Columbia's name or any of its trademarks, trade names, copyrights, patents, designs or other intellectual property except as set forth in writing by Columbia.

Instructions

Line Slot: Washed Out Cargo Short II State: Production Season: S25
 Merchandise Division: Sportswear Merchandise Collection: Outdoor Product Class: Woven Short
 Designer: owen.kessel Developer: jessie.desue LO Developer: triveni.hebbar Sourcing Manager: melissa.gallagher
 Fit Engineer: vfurcron

Design: S5MS212626 Sample LO: India Production LO: India

Style	Material Style	Style Description	Pattern	Base Size	Size Scale	Fit	SMU Type
AM4236	2126261	Washed Out™ Cargo Short II	M25M8070	32	28 - 44	Regular	Color Add



Category	Subcategory	Description	Comments
BARTACKS	BARTACK FUNCTIONAL	SEE COMMENTS	Key hole button hole at CF waistband

This is confidential and proprietary information of Columbia Sportswear Company. You agree that you will not disclose this information to any third party or use it for any purpose other than on behalf of Columbia. You have no right to use Columbia's name or any of its trademarks, trade names, copyrights, patents, designs or other intellectual property except as set forth in writing by Columbia.

Care Report

Line Slot: Washed Out Cargo Short II		State: Production		Season: S25			
Merchandise Division: Sportswear		Merchandise Collection: Outdoor		Product Class: Woven Short			
Designer: owen.kessel		Developer: jessie.desue		LO Developer: triveni.hebbbar			
Fit Engineer: vfurcron				Sourcing Manager: melissa.gallagher			
Design:	S5MS212626	Sample LO:	India	Production LO:	India		
Style	Material Style	Style Description	Pattern	Base Size	Size Scale	Fit	SMU Type
AM4236	2126261	Washed Out™ Cargo Short II	M25M8070	32	28 - 44	Regular	Color Add



Care Code: 1080		Color Way Number	Color Way Name
English	Machine Wash Cold Gentle, With Like Colors, Non-Chlorine Bleach When Needed, Tumble Dry Low, Remove Promptly, Iron Medium, If Present Do Not Iron Decal, Drycleanable	023	City Grey
French	Lavage machine à froid, Cycle délicat, Avec des couleurs similaires, Blanchir sans chlore si besoin, Séchage machine, basse température, Sortir immédiatement de la machine, Repasser à température moyenne, Le cas échéant, ne pas repasser la décalcomanie, Nettoyable à sec	160	Fossil
German	Schonwaschgang mit kaltem Wasser, Mit gleichen Farben, Nach Bedarf chlorfreies Bleichmittel verwenden, Trocknen im Wäschetrockner bei niedriger Temperatur, Sofort aus dem Trockner nehmen, Bügeln mit mittlerer Temperatur, Falls vorhanden, Dekorbild nicht bügeln, Reinigungsfähig	257	Delta
Portuguese	Lavar à maquina com água fria, ciclo para roupas delicadas, Com cores similares, Alvejar sem cloro quando necessário, Secar à máquina em temperatura baixa, Remover prontamente, Passar a ferro em temperatura média, Se presente, não passar o ferro sobre o decalque, Lavável a seco	348	Safari
Spanish	Lavar a maquina con agua fría, en ciclo delicado, Lavar con colores similares, Use lejía sin cloro cuando sea necesario, Usar secadora a temperatura baja, Retirar inmediatamente, Planchar a temperatura media, En su caso, no planche la pegatina, Lavable en seco	464	Collegiate Navy
Italian	Lavare in lavatrice in acqua fredda, ciclo delicato, Con colori simili, Solo candeggina senza cloro se necessario, Asciugare a tamburo a bassa temperatura, Rimuovere tempestivamente, Stirare con ferro a temperatura media, Se presente, non stirare la decalcomania, Lavabile a secco	851	Tuscan
Russian	Щадящая машинная стирка в холодной воде, Стирать с изделиями подобного цвета, Отбеливать без хлора, Сушить при низкой температуре, Сразу убрать из сушилки, Гладить при средней температуре, Если есть, не гладить наклейки и роспись на текстиле, Химчистка допускается		
Czech Republican	Praní v pračce při nízké teplotě, jemný cyklus, S podobnými barvami, V případě potřeby bělit bez chlóru, Sušení v sušičce, nízká teplota, Ihned odepnout, Žehlení při střední teplotě, Nežehlit obtisky, jsou-li přítomny, Vhodné k chemickému čištění		
Hebrew	כביסה במכונה במים קרים, כביסה עדינה, עם צבעים דומים, מלבין ללא כלור, בעת הצורך, לייבש במייבש כביסה בחום נמוך, להסיר מיד, לגהץ בחום בינוני, אם ישנה, לא לגהץ את מדבקת הדקאל, ניתן לנקות בניקוי יבש		
Hungarian	Géppel mossa, hideg vízzel, kímélő programmal, Hasonló színűekkel, Szükség esetén klórmentes fehéritőt használjon, Szárítógépben alacsony hőfokon szárítsa, Mosás után azonnal vegye ki a gépből, Közepes hőfokon vasalja, Ha van az anyagon matrica, azt ne vasalja, Vegytisztítható		
Polish	Prać w temperaturze nie przekraczającej 30°C, cykl delikatny, Prać z podobnymi kolorami, Wybielać niechlorowym wybielaczem w razie potrzeb, Można suszyć bębnowo, niska temperatura, Natychmiast usunąć, Prasować w temperaturze do 150°C, Nie prasować ozdób, jeśli są obecne, Można czyścić chemicznie		
Portuguese Brazil	Lavar à maquina com água fria, ciclo para roupas delicadas, Com cores similares, Alvejar sem cloro quando necessário, Secar em tambor rotativo em temperatura baixa, Remover prontamente, Passar a ferro em temperatura média, Se presente, não passar o ferro sobre o decalque, Lavável a seco		
Slovakian	Perte v pračke v studenej vode, šetriaci program, Spolu len podobné farby, V prípade potreby použite odfarbovací prostriedok bez obsahu chlóru, Sušte v bubnovej sušičke pri nízkych otáčkach, Okamžite odstráňte, Žehlíte mierne teplou žehličkou, Ak má štítok, nežehlíte ho, Môže sa čistiť chemicky		
Slovenian	Nežno mrzlo strojno pranje, Z podobnimi barvami, Belite brez klora po potrebi, Nizko strojno sušenje, Odstraniti takoj, Srednje likanje, Če obstaja, ne likati nalepk, Za suho čiščenje		
Spanish Latin American	Lavar a maquina con agua fría, en ciclo delicado, Lavar con colores similares, Usar blanqueador sin cloro cuando sea necesario, Usar secadora a temperatura baja, Retirar inmediatamente, Planchar a temperatura media, En su caso, no planche el diseño impreso, Lavable en seco		
Turkish	Makinada Yıkanır, Soğuk, Narin Program, Aynı Renklerle Yıkayın, Gerekirse Klor İçermeyen Ağartıcı Kullanın, Tambur Kurutma, Düşük, Hemen Çıkarın, Orta Isıda Ütöleyin, Varsa Çıkartmayı Ütölemeyin, Kuru Temizleme Yapılır		
Chinese Simplified	冷水慢循环机洗, 可与相近色同洗, 在必要时进行非氯漂白, 低温滚筒烘干, 及时拆除, 中温熨烫, 如有, 请勿熨烫贴花, 可干洗		

Content Report

Line Slot: Washed Out Cargo Short II		State: Production		Season: S25			
Merchandise Division: Sportswear		Merchandise Collection: Outdoor		Product Class: Woven Short			
Designer: owen.kessel		Developer: jessie.desue		LO Developer: triveni.hebbbar			
Fit Engineer: vfurcron		Sourcing Manager: melissa.gallagher					
Design:	S5MS212626	Sample LO:	India	Production LO:	India		
Style	Material Style	Style Description	Pattern	Base Size	Size Scale	Fit	SMU Type
AM4236	2126261	Washed Out™ Cargo Short II	M25M8070	32	28 - 44	Regular	Color Add



CONTENT CODE: ACP			Color Way Number	Color Way Name
Shell: 100% Cotton Exclusive of Trimming				
FRENCH	Extérieur:	100% Coton Sauf les bordures	348	Safari
GERMAN	Außenhülle:	100% Baumwolle Ohne Besatz	257	Delta
PORTUGUESE	Exterior:	100% Algodão Sem orlas	464	Collegiate Navy
SPANISH	Cubierta:	100% Algodón Exclusivo de los ribetes	023	City Grey
ITALIAN	Guscio esterno:	100% Cotone Ad eccezione dei bordini	851	Tuscan
RUSSIAN	Оболочка:	100% Хлопок Без дополнительных деталей	160	Fossil
CZECH REPUBLICAN	Skořepina:	100% Bavlna Bez nášivek		
HEBREW		מעטפת חיצונית: 100% כותנה ללא קישוט		
HUNGARIAN	Külső:	100% Pamut Szegélydíszén kívül		
POLISH	Powłoka:	100% Bawełna Wyłączając naszywki		
PORTUGUESE BRAZIL	Exterior:	100% Algodão Sem adornos		
SLOVAKIAN	Plášť:	100% Bavlna Okrem lemovania		
SLOVENIAN	Lupina:	100% Bombaž Brez obrezovanja		
SPANISH LATIN AMERICAN	Cubierta:	100% Algodón Exclusivo de los ribetes		
TURKISH	Kabuk:	100% Pamuk Süsler Hariç		
CHINESE SIMPLIFIED	外壳:	100% 棉 不包括装饰品		
CHINESE TRADITIONAL	外殼:	100% 棉 不包括裝飾品		
JAPANESE	シェル:	100% 綿 裝飾品を除く		
KOREAN	:	100%		
DANISH	Skal:	100% Bomuld Inkluderer ikke kant		
NORWEGIAN	Skall:	100% Bomull Eksklusiv trimming		
SWEDISH	Ytterdel:	100% Bomull Utan trimming		
DUTCH	Schelp:	100% Katoen Exclusief trimmen		
FRENCH CANADIAN	Extérieur:	100% Coton Exclut les bordures		

Pattern Piece Detail

Line Slot: Washed Out Cargo Short II State: Production Season: S25
 Merchandise Division: Sportswear Merchandise Collection: Outdoor Product Class: Woven Short
 Designer: owen.kessel Developer: jessie.desue LO Developer: triveni.hebbar Sourcing Manager: melissa.gallagher
 Fit Engineer: vfurcron

Design: S5MS212626 Sample LO: India Production LO: India

Style	Material Style	Style Description	Pattern	Base Size	Size Scale	Fit	SMU Type
AM4236	2126261	Washed Out™ Cargo Short II	M25M8070	32	28 - 44	Regular	Color Add



M25M8070 -

Component	Quantity	Long Description	Abbreviation	Code
-----------	----------	------------------	--------------	------

This is confidential and proprietary information of Columbia Sportswear Company. You agree that you will not disclose this information to any third party or use it for any purpose other than on behalf of Columbia. You have no right to use Columbia's name or any of its trademarks, trade names, copyrights, patents, designs or other intellectual property except as set forth in writing by Columbia.

Measurements

Line Slot: Washed Out Cargo Short II
 Merchandise Division: Sportswear
 Designer: owen.kessel
 Fit Engineer: vfurcron

Merchandise Collection: Outdoor
 Developer: jessie.desue

State: Production
 Product Class: Woven Short
 LO Developer: triveni.hebbbar

Season: S25
 Sourcing Manager: melissa.gallagher



Design: S5MS212626	Sample LO: India	Production LO: India
Style: Material Style	Style Description: Pattern	Base Size: Size Scale
AM4236: 2126261	Washed Out™ Cargo Short II: M25M8070	32: 28 - 44
		Fit: Regular
		SMU Type: Color Add

Sort Order		Use	Type	Placem ent	(+/-)	28	30	32	34	36	38	40	42	44
Grade Rule: CSC Mens Sportswear Shorts (Numeric) - 28-46 (32) - NT - Block: null														
4100.0	WAIST WIDTH AT TOP - circumference	QC	Graded		0.0	30.0	32.0	34.0	36.0	38.0	40.0	42.0	44.0	46.0
4103.0	WAIST WIDTH AT BOTTOM - circumference	QC	Graded		0.0	31.5	33.5	35.5	37.5	39.5	41.5	43.5	45.5	47.5
4150.0	WAISTBAND HEIGHT - bottoms		Graded		0.0	1.75	1.75	1.75	1.75	1.75	1.75	1.75	1.75	1.75
4180.0	BELT LOOP LENGTH		Graded		0.0	2.25	2.25	2.25	2.25	2.25	2.25	2.25	2.25	2.25
4181.0	BELT LOOP WIDTH		Graded		0.0	0.5	0.5	0.5	0.5	0.5	0.5	0.5	0.5	0.5
4182.0	BELT LOOP TOTAL QUANTITY		Graded		0.0	5.0	5.0	5.0	5.0	5.0	5.0	7.0	7.0	7.0
4200.0	HIP WIDTH POSITION - at side seam - including waistband		Graded		0.0	7.25	7.5	7.75	8.0	8.25	8.5	8.75	9.0	9.25
4201.0	HIP WIDTH POSITION - at front rise - including waistband		Graded		0.0	7.0	7.25	7.5	7.75	8.0	8.25	8.5	8.75	9.0
4250.0	HIP WIDTH (Bottoms) - circumference	QC	Graded		0.0	38.5	40.5	42.5	44.5	46.5	48.0	49.5	51.0	52.5
4400.0	FRONT RISE - from top of waistband	QC	Graded		0.0	10.125	10.5	10.875	11.25	11.625	12.0	12.375	12.75	13.125
4450.0	BACK RISE - from top of waistband	QC	Graded		0.0	15.5	15.875	16.25	16.625	17.0	17.375	17.75	18.125	18.5
4600.0	THIGH WIDTH - circumference - 1 inch down from crotch seam	QC	Graded		0.0	24.75	26.0	27.25	28.5	29.75	30.625	31.625	32.5	33.5
4950.0	SHORT LEG OPENING - circumference - A	QC	Graded		0.0	20.75	22.0	23.25	24.5	25.75	26.625	27.625	28.5	29.5

Measurements

Line Slot: Washed Out Cargo Short II
 Merchandise Division: Sportswear
 Designer: owen.kessel
 Fit Engineer: vfurcron

Merchandise Collection: Outdoor
 Developer: jessie.desue

State: Production
 Product Class: Woven Short
 LO Developer: triveni.hebbar

Season: S25
 Sourcing Manager: melissa.gallagher



Design: S5MS212626	Sample LO: India	Production LO: India
Style AM4236	Material Style 2126261	Style Description Pattern Washed Out™ Cargo Short II
	Washed Out™ Cargo Short II	M25M8070
	32	28 - 44
	Regular	Fit
		SMU Type Color Add

Sort Order	Use	Type	Placem ent	(+/-)	28	30	32	34	36	38	40	42	44	
4951.0	SHORT LEG OPENING - circumference - B	QC	Graded		0.0	19.75	21.0	22.25	23.5	24.75	25.625	26.625	27.5	28.5
5400.0	SHORT INSEAM LENGTH - A	QC	Graded		0.0	8.0	8.0	8.0	8.0	8.0	8.0	8.0	8.0	8.0
5401.0	SHORT INSEAM LENGTH - B	QC	Graded		0.0	10.0	10.0	10.0	10.0	10.0	10.0	10.0	10.0	10.0
5900.0	SHORT OUTSEAM LENGTH - with waistband - A	QC	Graded		0.0	17.5	17.875	18.25	18.625	19.0	19.25	19.625	19.875	20.25
5901.0	SHORT OUTSEAM LENGTH - with waistband - B	QC	Graded		0.0	19.5	19.875	20.25	20.625	21.0	21.25	21.625	21.875	22.25
6610.0	FRONT POCKET OPENING - horizontal from side seam - along waist seam or waist stitching		Graded		0.0	1.75	2.0	2.0	2.0	2.25	2.25	2.25	2.5	2.5
6611.0	FRONT POCKET OPENING - vertical from waist seam or waist stitching		Graded		0.0	6.75	7.0	7.0	7.0	7.25	7.25	7.25	7.5	7.5
6701.0	CARGO POCKET WIDTH		Varies By Style		0.125	5.75	6.0	6.0	6.0	6.25	6.25	6.25	6.5	6.5
6703.0	CARGO POCKET HEIGHT - including flap		Varies By Style		0.125	6.25	6.5	6.5	6.5	6.75	6.75	6.75	7.0	7.0
6720.0	BACK POCKET OPENING		Graded		0.0	5.75	6.0	6.0	6.0	6.25	6.25	6.25	6.5	6.5
1850.0	Hook 1		Component		0.0	1.5	1.5	1.5	1.5	1.5	1.5	1.5	1.5	1.5
2190.0	Loop 1		Component		0.0	1.5	1.5	1.5	1.5	1.5	1.5	1.5	1.5	1.5
3670.0	Zipper 1		Component		0.0	5.0	5.0	5.5	5.5	5.5	6.0	6.0	6.0	6.5

Measurements

Line Slot: Washed Out Cargo Short II		State: Production		Season: S25			
Merchandise Division: Sportswear		Merchandise Collection: Outdoor		Product Class: Woven Short			
Designer: owen.kessel		Developer: jessie.desue		LO Developer: triveni.hebbbar			
Fit Engineer: vfurcron		Sourcing Manager: melissa.gallagher					
Design:	S5MS212626	Sample LO:	India	Production LO:	India		
Style	Material Style	Style Description	Pattern	Base Size	Size Scale	Fit	SMU Type
AM4236	2126261	Washed Out™ Cargo Short II	M25M8070	32	28 - 44	Regular	Color Add



This is confidential and proprietary information of Columbia Sportswear Company. You agree that you will not disclose this information to any third party or use it for any purpose other than on behalf of Columbia. You have no right to use Columbia's name or any of its trademarks, trade names, copyrights, patents, designs or other intellectual property except as set forth in writing by Columbia.

Sales Sample Comments - AM4236

Line Slot: Washed Out Cargo Short II

State: Production

Season: S25

Designer: owen.kessel

Developer: jessie.desue

LO Developer: triveni.hebbbar

Sourcing Manager: melissa.gallagher



Style	Material Style	Style Description	Design	Pattern	Base Size	Size Scale	Sample LO	Production LO
AM4236	2126261	Washed Out™ Cargo Short II	S5MS212626	M25M8070	32	28 - 44	India	India

Report #: 0000062755

Office: India

Factory Code: SEP

Factory Name: SHAHI EXPORTS PVT. LTD.

Sample Sizes: 32

Estimated First Buy Date:

Factory Country of Origin: India

Comments: CC-023 / 048

MEASUREMENT CHART - SIZE 32

Point of Measure	Use	Type	(+/-)	Requested	LO Actual	Difference	QA Actual	Difference
WAIST WIDTH AT TOP - circumference	QC	Graded	0.0	34.0				
WAIST WIDTH AT BOTTOM - circumference	QC	Graded	0.0	35.5				
HIP WIDTH (Bottoms) - circumference	QC	Graded	0.0	42.5				
FRONT RISE - from top of waistband	QC	Graded	0.0	10.875				
BACK RISE - from top of waistband	QC	Graded	0.0	16.25				
THIGH WIDTH - circumference - 1 inch down from crotch seam	QC	Graded	0.0	27.25				
SHORT LEG OPENING - circumference - A	QC	Graded	0.0	23.25				
SHORT LEG OPENING - circumference - B	QC	Graded	0.0	22.25				
SHORT INSEAM LENGTH - A	QC	Graded	0.0	8.0				
SHORT INSEAM LENGTH - B	QC	Graded	0.0	10.0				
SHORT OUTSEAM LENGTH - with waistband - A	QC	Graded	0.0	18.25				
SHORT OUTSEAM LENGTH - with waistband - B	QC	Graded	0.0	20.25				

Liaison Office Comments dkalpana 4/21/2024 11:22:32 PM

Fabric

No Comments.

Trims

No Comments.

Embellishment

Sales Sample Comments - AM4236

Line Slot: Washed Out Cargo Short II

State: Production

Season: S25

Designer: owen.kessel

Developer: jessie.desue

LO Developer: triveni.hebbbar

Sourcing Manager: melissa.gallagher



Style	Material Style	Style Description	Design	Pattern	Base Size	Size Scale	Sample LO	Production LO
AM4236	2126261	Washed Out™ Cargo Short II	S5MS212626	M25M8070	32	28 - 44	India	India

Report #: 0000062755

Office: India

Factory Code: SEP

Factory Name: SHAHI EXPORTS PVT. LTD.

Sample Sizes: 32

Estimated First Buy Date:

Factory Country of Origin: India

Comments: CC-023 / 048

N/A

Garment dye/Wash

Non Wash

Measurement

With in tolerance.

Construction

No Comments.

Product Developer Comments

This is confidential and proprietary information of Columbia Sportswear Company. You agree that you will not disclose this information to any third party or use it for any purpose other than on behalf of Columbia. You have no right to use Columbia's name or any of its trademarks, trade names, copyrights, patents, designs or other intellectual property except as set forth in writing by Columbia.

Technical

Line Slot: Washed Out Cargo Short II		State: Production		Season: S25			
Merchandise Division: Sportswear		Merchandise Collection: Outdoor		Product Class: Woven Short			
Designer: owen.kessel		Developer: jessie.desue		LO Developer: triveni.hebbar			
Sourcing Manager: melissa.gallagher		Fit Engineer: vfurcron					
Design:	S5MS212626	Sample LO:	India	Production LO:	India		
Style	Material Style	Style Description	Pattern	Base Size	Size Scale	Fit	SMU Type
AM4236	2126261	Washed Out™ Cargo Short II	M25M8070	32	28 - 44	Regular	Color Add



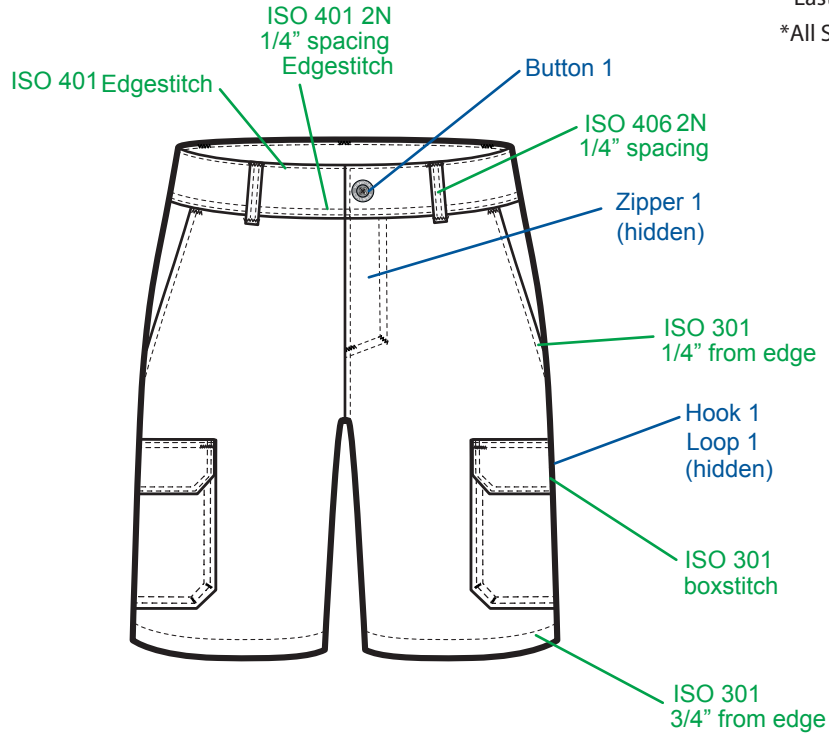
S1

Last Updated: 04.24.24 WN
*All Shell ① unless Indicated

All double needing topstitching:
ISO 301 2N 1/4" spacing edgestitch
All single needle topstitching:
ISO 301 edgestitch

Lining 1: pocket bags
Interfacing 1: as needed
Thread 1-3: follow BOM
Label 1-2: follow brand manual

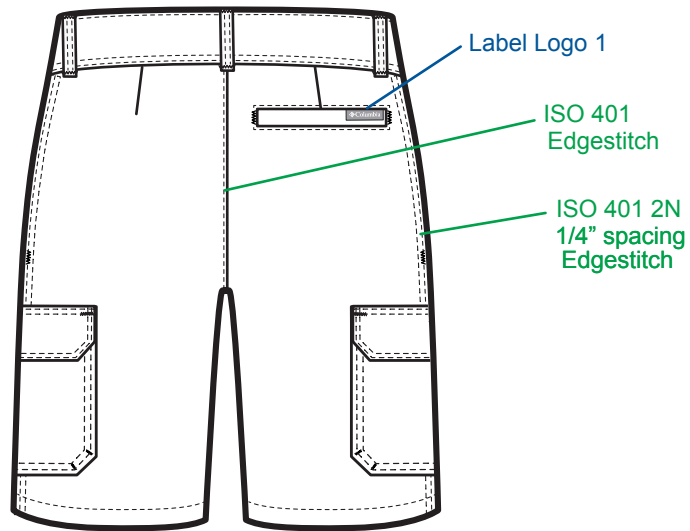
↔ = Stretch Direction



Technical

Line Slot: Washed Out Cargo Short II State: Production Season: S25
 Merchandise Division: Sportswear Merchandise Collection: Outdoor Product Class: Woven Short
 Designer: owen.kessel Developer: jessie.desue LO Developer: triveni.hebbar Sourcing Manager: melissa.gallagher
 Fit Engineer: vfurcron

Design:	S5MS212626	Sample LO:	India	Production LO:	India		
Style	Material Style	Style Description	Pattern	Base Size	Size Scale	Fit	SMU Type
AM4236	2126261	Washed Out™ Cargo Short II	M25M8070	32	28 - 44	Regular	Color Add



Technical

Line Slot: Washed Out Cargo Short II		State: Production		Season: S25			
Merchandise Division: Sportswear		Merchandise Collection: Outdoor		Product Class: Woven Short			
Designer: owen.kessel		Developer: jessie.desue		LO Developer: triveni.hebbar		Sourcing Manager: melissa.gallagher	
Fit Engineer: vfurcron							
Design:	S5MS212626	Sample LO:	India	Production LO:	India		
Style	Material Style	Style Description	Pattern	Base Size	Size Scale	Fit	SMU Type
AM4236	2126261	Washed Out™ Cargo Short II	M25M8070	32	28 - 44	Regular	Color Add



Last Updated: 01.01.23 XX



This is confidential and proprietary information of Columbia Sportswear Company. You agree that you will not disclose this information to any third party or use it for any purpose other than on behalf of Columbia. You have no right to use Columbia's name or any of its trademarks, trade names, copyrights, patents, designs or other intellectual property except as set forth in writing by Columbia.

Hangtag Package Report

Apparel Style: AM4236

Season: S25

Brand: Columbia

Merchandise Category: Sportswear

Merchandiser: Lee.Braxton

Line Slot: Washed Out Cargo Short II

Sort Order: 1.0 Part: 097305 - Columbia No Tech Hangtag
 Instruction: (FOR BOTTOMS WITH BELT LOOPS) Hangtags are to be placed on one 5" circular swift tack looped thru front belt loop nearest left side seam

SKU/Version ID	Line	Part	Expiry Date
OP184553	097305	OP184553_097305_TC_Columbia_No Tech	09-26-22

TECH CARD (Front)



TECH CARD (Back)



SKU/Version ID	Line	Part	Expiry Date
Process Blue / Process Blue	TC-1	TC-1	
2.32" x 3.43" / 58.93mm x 88.26mm	Apexx Coating Die Cut 3mm Patch	TC-1	

Sort Order: 2.0 Part: 127015 - Mens Shorts Regular Joker
 Instruction: JOKER (Please place on right back waistband clear of hanger clip)

SKU/Version ID	Line	Part	Expiry Date
OP1490994	127015	OP1490994_127015_JK_M_Short_Regular	10-19-23

JOKER (Front)



JOKER (Back)



SKU/Version ID	Line	Part	Expiry Date
Black / Process Blue	JK-13	JK-13	
1.70" x 2" / 42.7mm x 50.8mm	Apexx Coating Die Cut Score, Variable Data	JK-13	

Sort Order: 9.0 Part: 121612 - MSRP/UPC with RFID Specs for MSRP.
 Please refer to VAS specs for any exceptions. MSRP required on all product shipping to the US.
 Instruction: